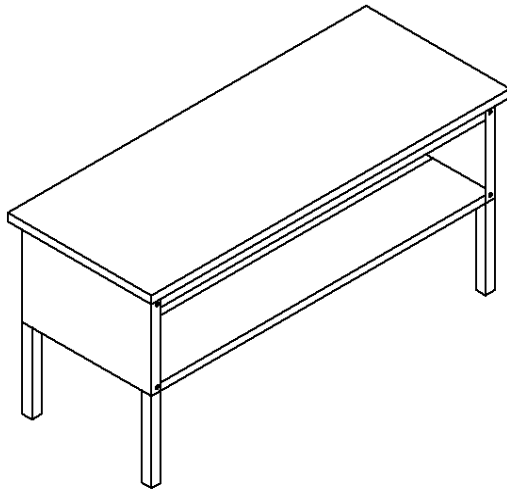


Kwik-File, LLC

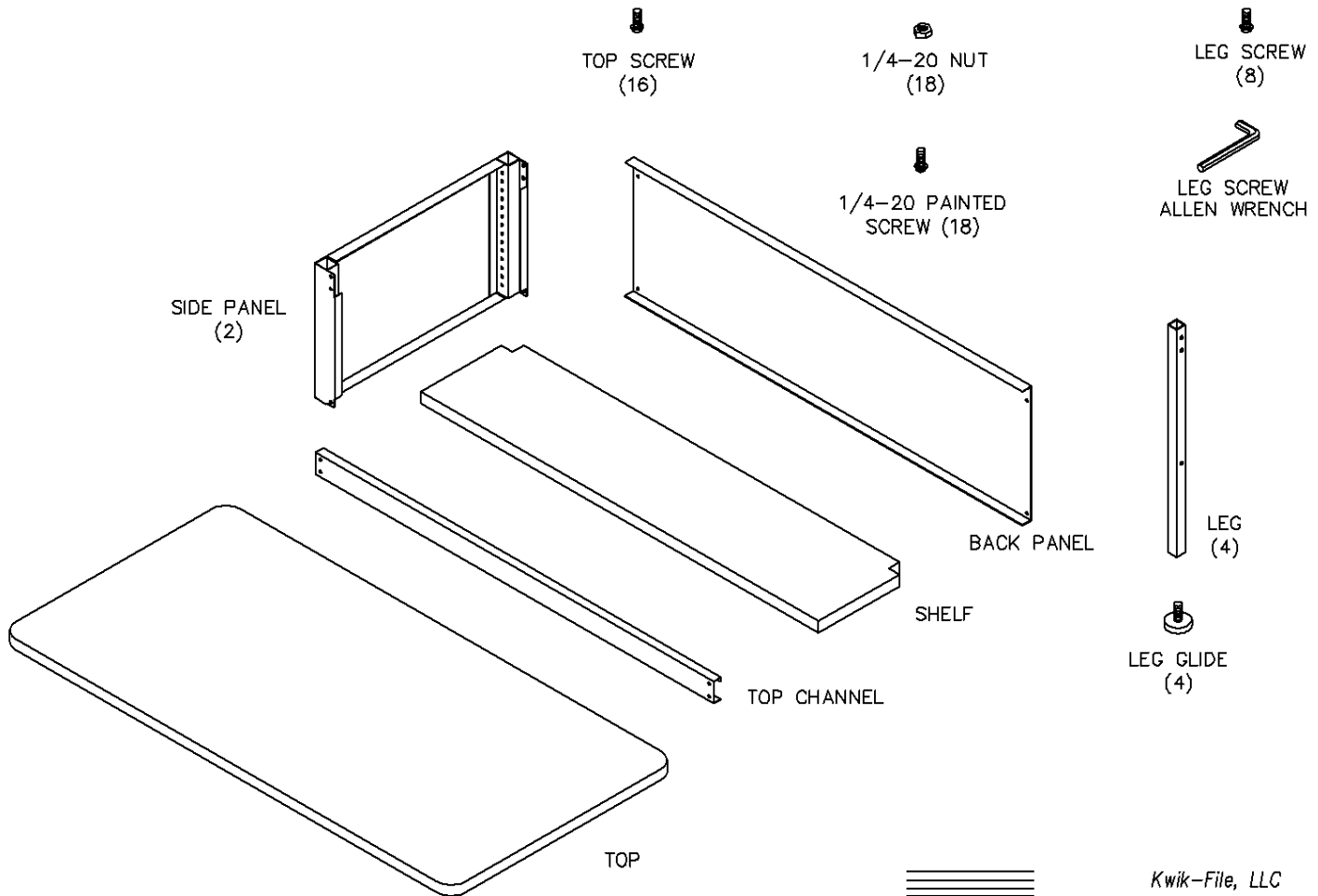
Mailflow-To-Go™

TB60 Work Table and SLF60 Shelf

Work Table (shown with shelf), 60"W x 39"D x 29" - 36"H

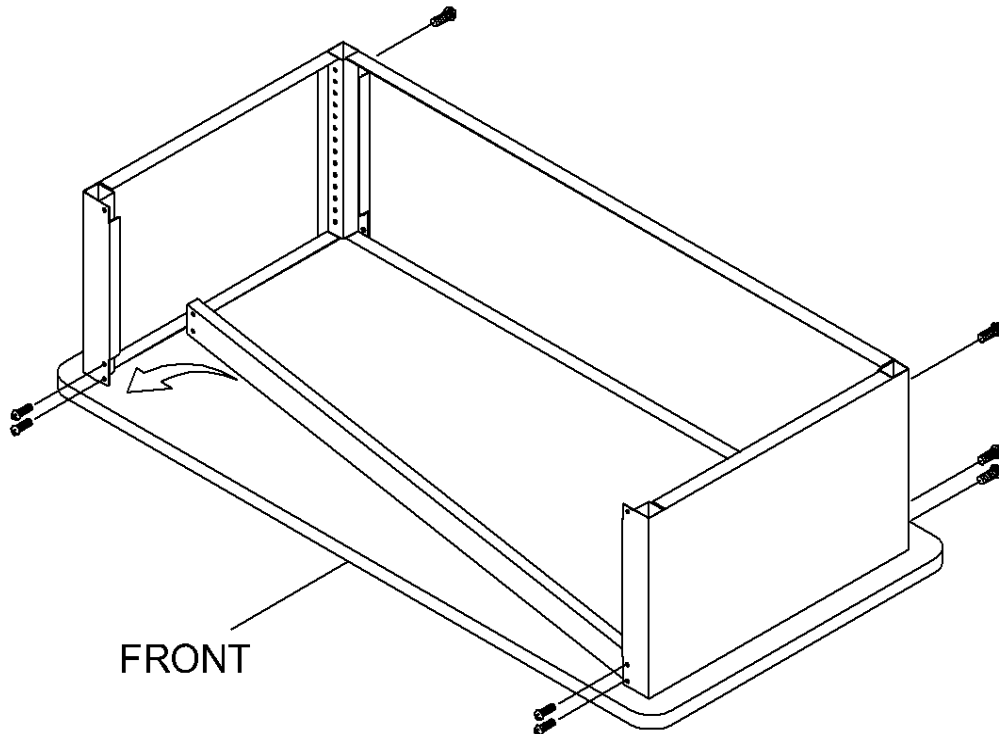


Parts list and drawings for Work Table (shown with shelf)

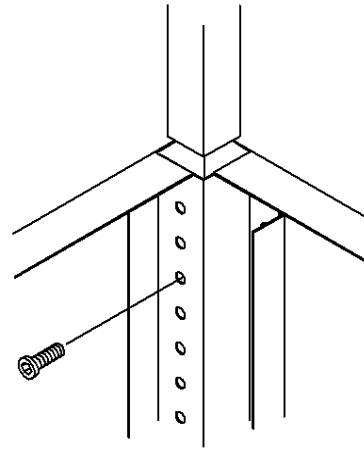
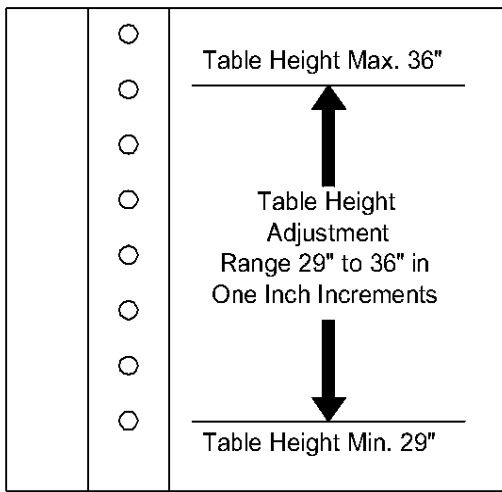


Tool required: a blade screwdriver (allen wrench provided).

1. Unpack carton(s) and identify all parts.
2. Place table top upside down (screw holes up) on a clean, flat, smooth surface.
3. Assemble back panel, two side panels, and front support rail; it is easiest to do this with these parts upside down on the table top.



- a. Bolt together back panel and two end panels with six painted matching screws and Kepsnuts (three on each side). (if you ordered the TBS60 table with shelf, omit the one screw on each side farthest away front the top at this time).
 - b. Bolt together front support rail with open flange facing inside with angled side against top; use four painted matching screws and Kepsnuts (two on each side).
4. Locate the assembled table frame so that the 10 holes in the side and back panel flanges line up with the 10 pre drilled holes in the top. Insert the sheet metal screws provided through the holes and tighten into the top. Additional top screws are self tapping and can be installed without pre-drilling.
 5. Insert legs into the leg sleeves at the corners of the table. Each leg has two threaded holes at the upper end; legs should be inserted so that the holes line up with the adjustment holes in the leg socket. Table height can be adjusted between 29" and 36" in one inch increments.



6. After deciding on table height, line up the threaded holes in each leg with the proper holes in the leg sleeve; use two socket-head screws to assemble the leg in place (allen wrench provided)

7. Once all four legs have been assembled in place, carefully set table upright in place (be sure to get help from another person).

8. Each leg has an adjustable glide. If the table needs to be leveled, turn the glide as needed to shorten or lengthen any leg. While not essential, a carpenter's level may be helpful.

9. If you ordered the SLF60 Shelf, install it now as follows:

- a. The shelf is made of two pieces (half shelves) which lie next to each other, flange side down. The half - shelves are supported by the flanges at the bottom of the table side and back panels.
- b. Each half - shelf has one side with two notched corners; this side should be placed towards the outside of the table (notches provide space for table legs).
- c. Before installing the two half - shelves in place, check to make sure the two screws at the bottom of the back of the table have been removed.
- d. Carefully put the two half - shelves in place, first one, then the other. They should now be next to each other, resting on the flanges at the bottom of the back and side panels.
- e. Insert four painted machine screws. Each one will go through the hole at the bottom of the table leg frame and the front corner of one of the half - shelves. Secure them with the Kepsnuts provided.
- f. Connect the two half - shelves from underneath through the bottom flanges using the three painted machine screws and three Kepsnuts provided.