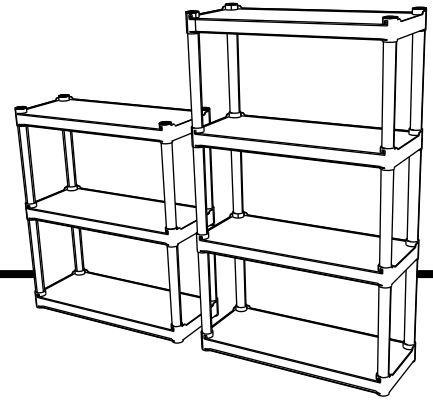




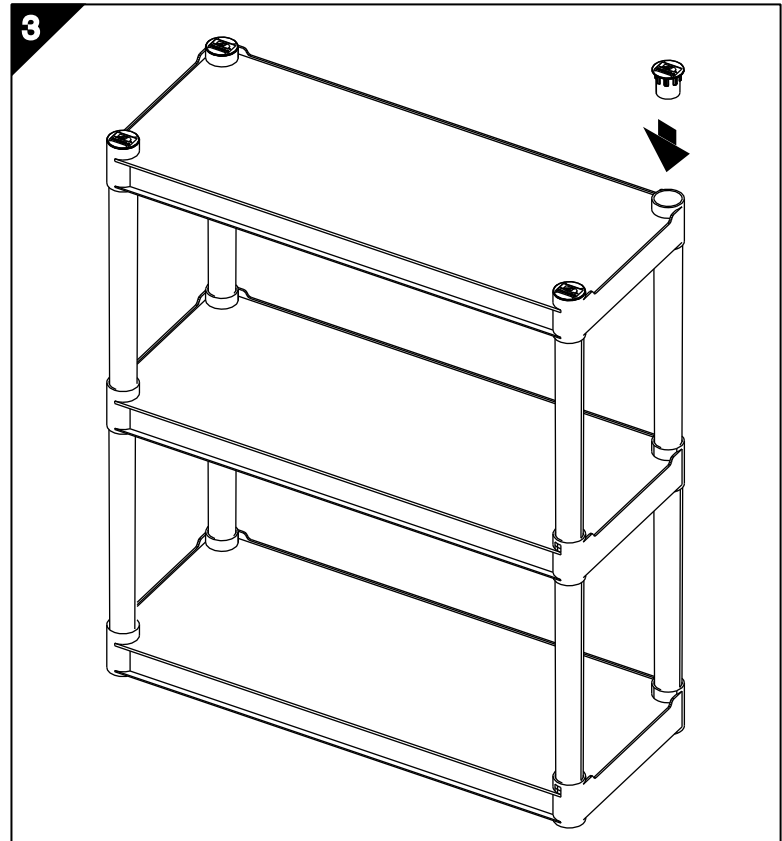
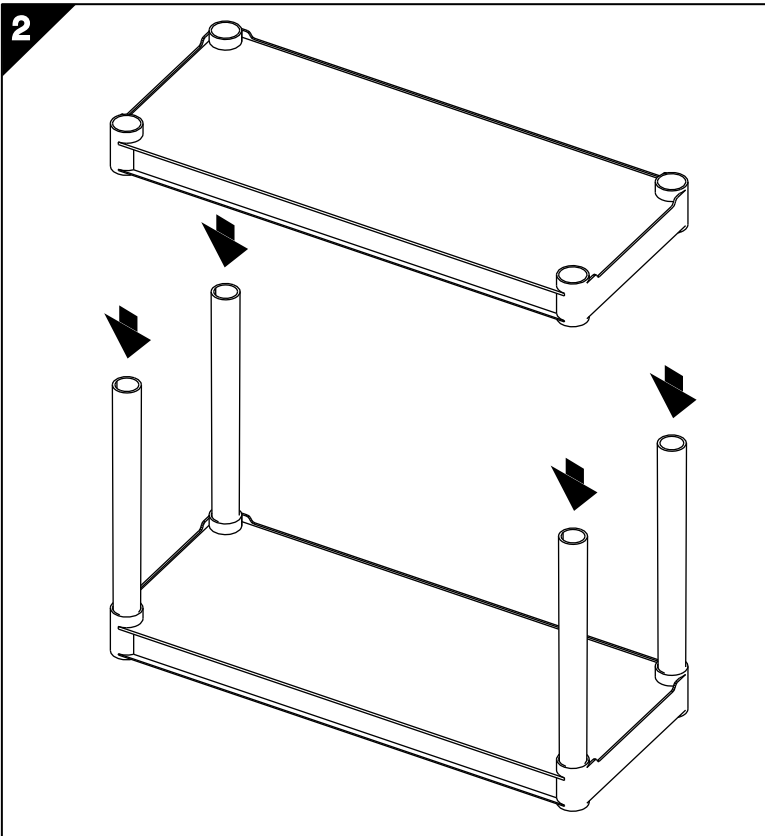
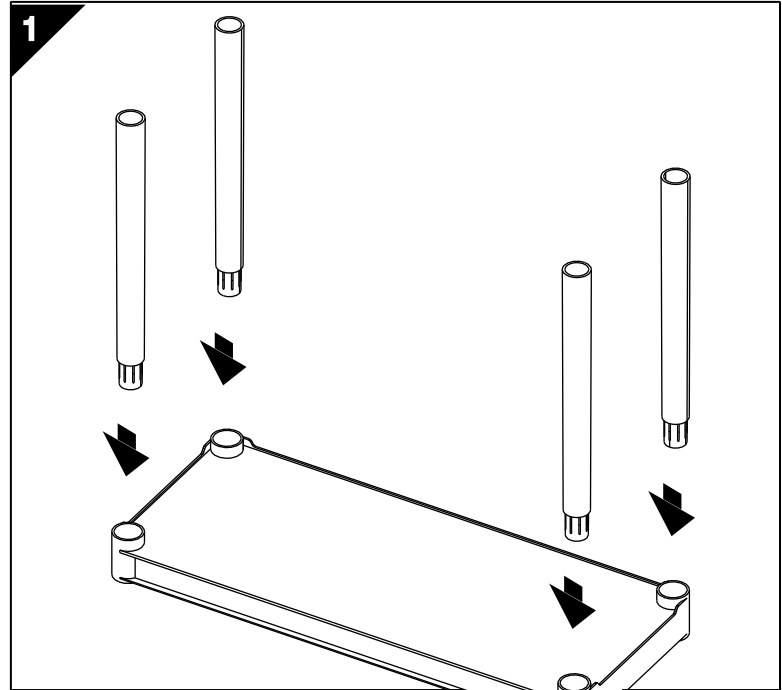
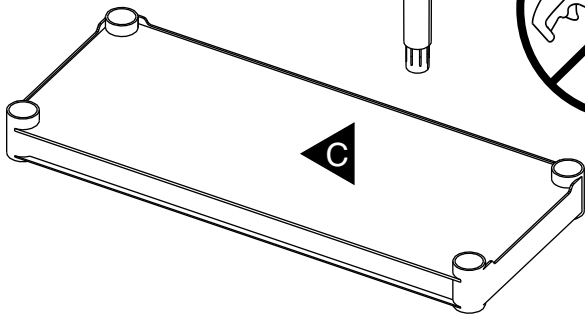
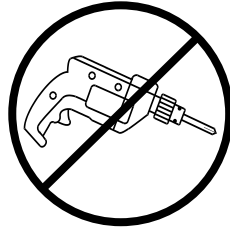
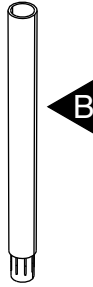
ROUGH[™] READY Shelving

20832/33
20842/43



Item Description/Quantity

- A. Cap (4)
- B. Support Tube
20832/20833 (8)
20842/20843 (12)
- C. Shelf
20832/20833 (3)
20842/20843 (4)



Iceberg Enterprises, LLC
1300 W Higgins Rd Suite 111
Park Ridge, IL 60068
800 580 1310
847 685 9500 (V)
847 685 9551 (F)
www.icebergenterprises.com