

MODEL WC12953SU
WC14353SU
WC14553SU
WC24453SU
WC36753SU
WC48553SU
WC57453SU
WC60353SU
WC64353SU
WC72453SU
WC75753SU
WC8453SU
WC84853SU

WC90453SU
WC94453SU



Can we help you ?

Bush
BUSINESS FURNITURE

Thank you for purchasing this Bush Business Furniture product. We trust that you will be completely satisfied with your product for many years to come. Bush Business Furniture products are backed by a 10 year warranty and crafted with today's styles in mind for the way you live.

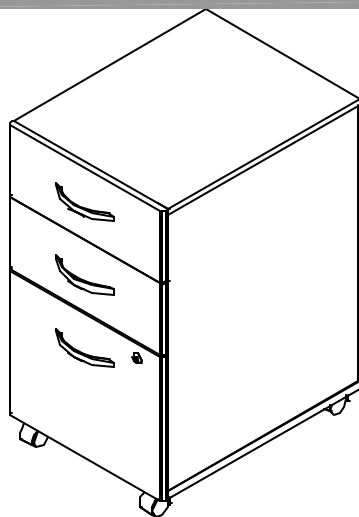
THE BUSH FURNITURE

difference

- QUALITY
- INNOVATION
- SERVICE
- VALUE

Gracias por comprar este producto de Bush Business Furniture. Confiamos que usted estará completamente satisfecho con su mueble por muchos años. Productos de Bush Business Furniture tienen 10 años de garantía y son diseñados con los estilos de hoy en mente para la manera que usted vive.

Merci d'avoir acheté ce produit Furniture Business Bush. Nous comptons sur votre entière satisfaction avec votre produit au long des années à venir. Les produits furniture Business Bush sont garantis pour une période de 10 ans et sont conçus dans les styles d'aujourd'hui gardant à l'esprit votre mode de vie.



10 Year
WARRANTY

Bush™

BUSINESS FURNITURE



M - F 7a.m. - 11p.m.
Sat. 9a.m. - 5:30p.m.
Sun. 9a.m. - 5:30p.m.
(Except Holidays)

1-800-950-4782 USA/CANADA
95-800-950-4782 MEXICO
Se habla Español

Outside USA/ CANADA/ MEXICO:
001-716-665-2510 Ext. 5900

Email us:

ConsumerService@BushIndustries.com



www.bushfurniture.com

10 Year

WARRANTY

IT'S AS EASY AS 1,2,3

Assembly tips:

1. Read the instructions and become familiar with the parts.
2. To protect floors, assemble the furniture on the carton.
3. An assistant may be helpful.
4. Use of power tools is not recommended.

Consejos de Ensamblaje:

1. Lea las instrucciones y familiarícese con las partes.
2. Para proteger el piso, ensamble el mueble en el cartón.
3. Un asistente puede serle útil.
4. El uso de herramientas eléctricas no se recomienda.

Assemblage:

1. Lisez les instructions et familiarisez-vous avec les pièces.
2. Afin de protéger vos sols, assemblez votre meuble sur un carton.
3. Il sera peut-être utile de vous faire aider.
4. L'utilisation d'outils électriques n'est par recommandée.

CONSUMER SERVICE YOU CAN DEPEND ON

Questions? Operators are standing by at our TOLL FREE help line to assist you with assembly, and if necessary, quickly replace damaged/missing parts. Assistance is available all day every day. Simply have your store receipt, instruction manual, and part number/description ready when you call our TOLL FREE help line. It's that easy.

Servicio al consumidor en que usted puede depender

¿ Preguntas ? Operadores estan listos en nuestra LINEA DE ASISTENCIA GRATUITA para ayudarle con ensamblaje y si sea necesario reemplazo rápido de partes dañadas o que falten. Asistencia está disponible todo el día todos los días. Simplemente tenga listo su recibo de la tienda, la hoja de instrucciones, y número de parte/descripción cuando llame nuestra LINEA DE ASISTENCIA GRATUITA. Es así de fácil.

Vous pouvez compter sur notre service clientèle

des Questions? Nos opérateurs se tiennent à votre disposition, veuillez contacter notre NUMERO GRATUIT D'ASSISTANCE CLIENTS, où l'on vous portera assistance dans votre assemblage, et si nécessaire, pour le remplacement des pièces défectueuses ou manquantes. Cette assistance est disponible 24/24 et 7/7 jours. Quand vous appelez le NUMERO GRATUIT D'ASSISTANCE CLIENTS, veuillez simplement avoir à portée de main votre ticket d'achat, le manuel d'instructions et les références du modèle. C'est aussi simple que cela.



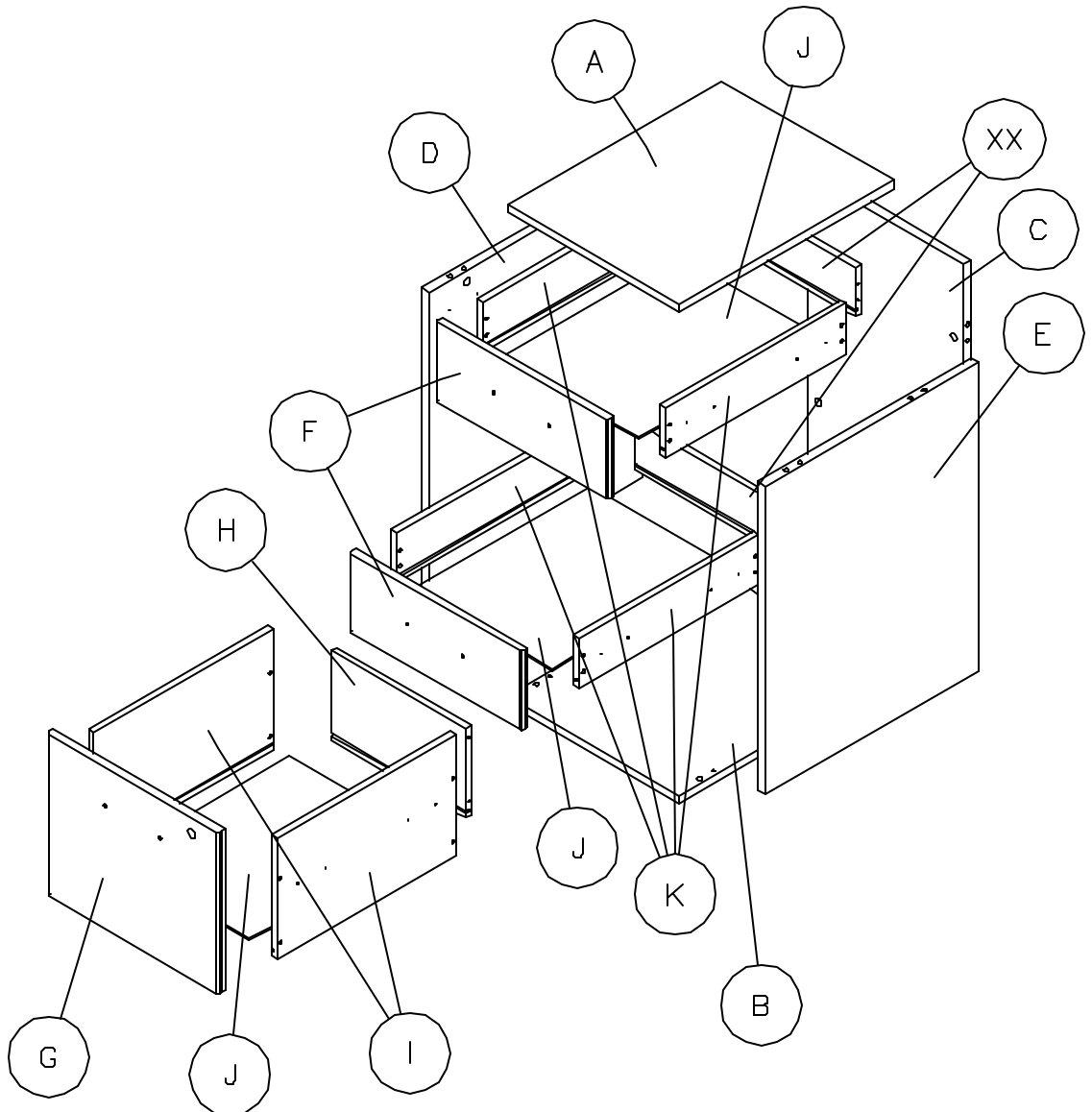
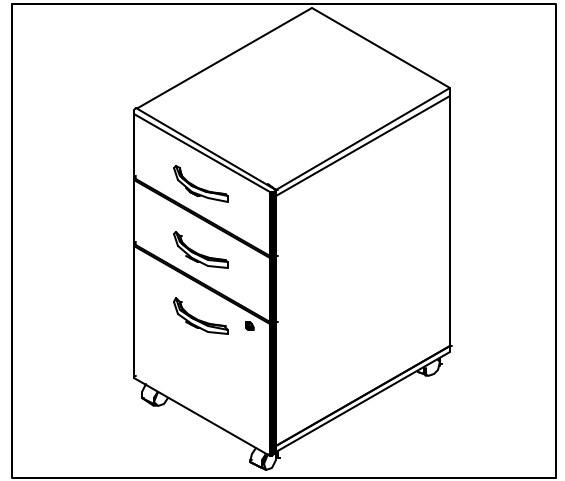
WARNING

When loaded, move unit carefully. Failure to do so could cause instability, product collapse, and/or serious injury.

Cuando esté cargada, mueva unidad con cuidado. Hacerlo puede causar inestabilidad que el producto se derrumbe y/o heridas (golpes) serias.

Une fois chargé, déplacez le produit soigneusement. Manque de faire ainsi peut causer l'instabilité ou l'effondrement du produit, et des endommagements sérieux.

EXPLODED VIEW



8
1
8
0
0
9
5
0
4
7
8
2



A144793

PARTS LIST

1
·
8
0
0
·
9
5
0
·
4
7
8
2

WC12953SU		
A	[1]	W128189
B	[1]	W128190
C	[1]	W128193
D	[1]	W128191
E	[1]	W128192
F	[2]	W128369
G	[1]	W128195
H	[1]	W107687
I	[2]	W107681
J	[3]	W87410
K	[4]	W107675
XX	[2]	W128623

WC14353SU		
A	[1]	W123034
B	[1]	W123035
C	[1]	W123038
D	[1]	W123036
E	[1]	W123037
F	[2]	W123081
G	[1]	W123082
H	[1]	W107687
I	[2]	W107681
J	[3]	W87410
K	[4]	W107675
XX	[2]	W128623

WC14553SU		
A	[1]	W123117
B	[1]	W123118
C	[1]	W123121
D	[1]	W123119
E	[1]	W123120
F	[2]	W123122
G	[1]	W123123
H	[1]	W107687
I	[2]	W107681
J	[3]	W87410
K	[4]	W107675
XX	[2]	W128623

WC24453SU		
A	[1]	W122279
B	[1]	W122280
C	[1]	W122284
D	[1]	W122281
E	[1]	W122282
F	[2]	W122283
G	[1]	W122286
H	[1]	W107687
I	[2]	W107681
J	[3]	W87410
K	[4]	W107675
XX	[2]	W128623

WC36753SU		
A	[1]	W128198
B	[1]	W128199
C	[1]	W128202
D	[1]	W128200
E	[1]	W128201
F	[2]	W128373
G	[1]	W128204
H	[1]	W107687
I	[2]	W107681
J	[3]	W87410
K	[4]	W107675
XX	[2]	W128623

WC48553SU		
A	[1]	W122279
B	[1]	W122280
C	[1]	W122284
D	[1]	W122281
E	[1]	W122282
F	[2]	W122937
G	[1]	W122936
H	[1]	W107687
I	[2]	W107681
J	[3]	W87410
K	[4]	W107675
XX	[2]	W128623

WC57453SU		
A	[1]	W123034
B	[1]	W123035
C	[1]	W123038
D	[1]	W123036
E	[1]	W123037
F	[2]	W123087
G	[1]	W123086
H	[1]	W107687
I	[2]	W107681
J	[3]	W87410
K	[4]	W107675
XX	[2]	W128623

WC60353SU		
A	[1]	W128207
B	[1]	W128208
C	[1]	W128211
D	[1]	W128209
E	[1]	W128210
F	[2]	W128365
G	[1]	W128213
H	[1]	W107687
I	[2]	W107681
J	[3]	W87410
K	[4]	W107675
XX	[2]	W128623

WC64353SU		
A	[1]	W128386
B	[1]	W128387
C	[1]	W128390
D	[1]	W128388
E	[1]	W128389
F	[2]	W128396
G	[1]	W128392
H	[1]	W107687
I	[2]	W107681
J	[3]	W87410
K	[4]	W107675
XX	[2]	W128623

WC72453SU		
A	[1]	W122279
B	[1]	W122280
C	[1]	W122284
D	[1]	W122281
E	[1]	W122282
F	[2]	W122973
G	[1]	W122972
H	[1]	W107687
I	[2]	W107681
J	[3]	W87410
K	[4]	W107675
XX	[2]	W128623

WC75753SU		
A	[1]	W122981
B	[1]	W122982
C	[1]	W122985
D	[1]	W122983
E	[1]	W122984
F	[2]	W122987
G	[1]	W122986
H	[1]	W107687
I	[2]	W107681
J	[3]	W87410
K	[4]	W107675
XX	[2]	W128623

WC8453SU		
A	[1]	W123034
B	[1]	W123035
C	[1]	W123038
D	[1]	W123036
E	[1]	W123037
F	[2]	W123040
G	[1]	W123039
H	[1]	W107687
I	[2]	W107681
J	[3]	W87410
K	[4]	W107675
XX	[2]	W128623

WC84853SU		
A	[1]	W123034
B	[1]	W123035
C	[1]	W123038
D	[1]	W123036
E	[1]	W123037
F	[2]	W123095
G	[1]	W123096
H	[1]	W107687
I	[2]	W107681
J	[3]	W87410
K	[4]	W107675
XX	[2]	W128623

WC90453SU		
A	[1]	W122974
B	[1]	W122975
C	[1]	W122978
D	[1]	W122976
E	[1]	W122977
F	[2]	W122980
G	[1]	W122979
H	[1]	W107687
I	[2]	W107681
J	[3]	W87410
K	[4]	W107675
XX	[2]	W128623


WC94453SU		
A	[1]	W122994
B	[1]	W122995
C	[1]	W122998
D	[1]	W122996
E	[1]	W122997
F	[2]	W123000
G	[1]	W122999
H	[1]	W107687
I	[2]	W107681
J	[3]	W87410
K	[4]	W107675
XX	[2]	W128623



FASTENER LIST


1
8
0
0
9
5
0
4
7
8
2

H128624 Quantity
8




#8 x 1/2"

H128625 Quantity
8




#8 x 1-1/2"

H26053 Quantity
4



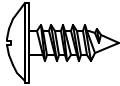
#10 x 1-1/4"

H101725 Quantity
40



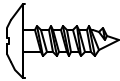
#6 x 1/2"

H35251 Quantity
24



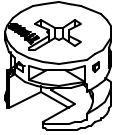
#10 x 1/2"

H43507 Quantity
4

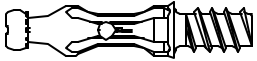


#8 x 1/2"

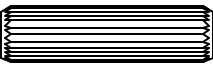
H71659 Quantity
12



H72988 Quantity
12



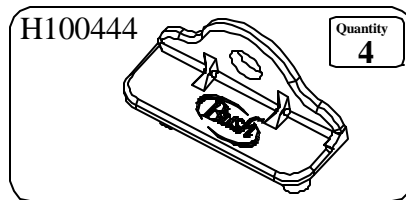
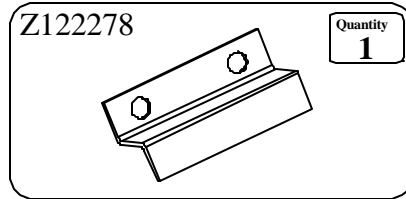
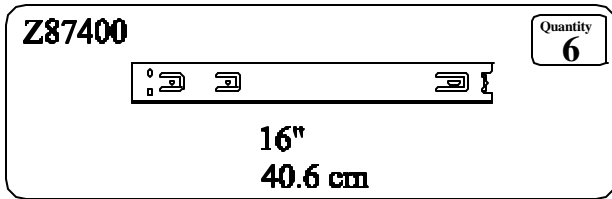
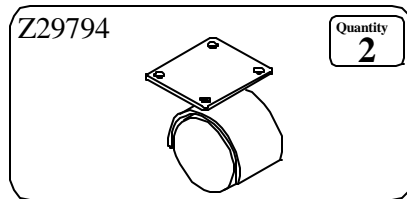
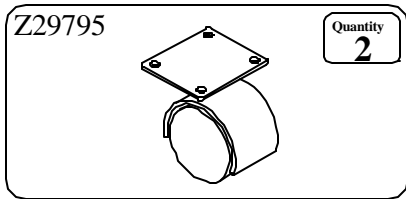
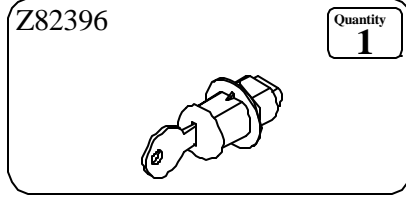
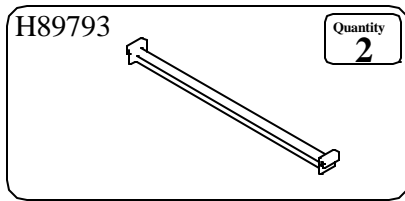
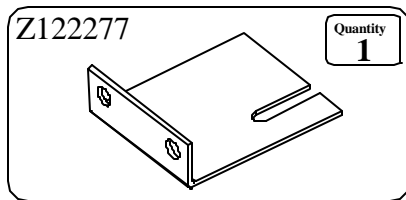
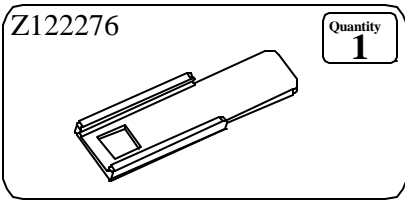
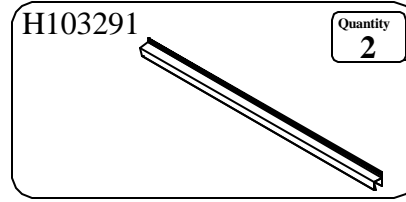
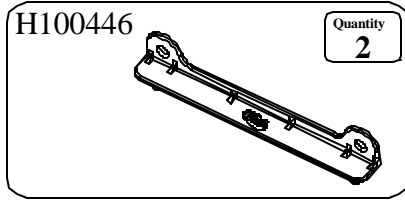
H38169 Quantity
12



8 x 30mm



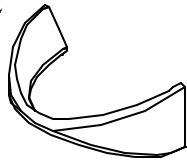

HARDWARE LIST







1
8
0
0
9
5
0
4
7
8
2

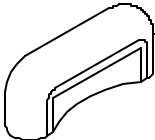

MODEL SPECIFIC HARDWARE



1
8
0
0
9
5
0
4
7
8
2

<p>H123342</p>  <p>Quantity 3</p>	<p>H83027</p>  <p>Quantity 6</p> <p>M4 x 22mm</p>	<p>WC14353SU</p>
---------------------------------------------------------------------------------------------------------------------------	---------------------------------------------------------------------------------------------------------------------------------------------------	------------------

<p>H126849</p>  <p>Quantity 3</p>	<p>H108982</p>  <p>Quantity 6</p> <p>M4 x 20mm</p>	<p>WC64353SU</p>
---------------------------------------------------------------------------------------------------------------------------	---------------------------------------------------------------------------------------------------------------------------------------------	------------------

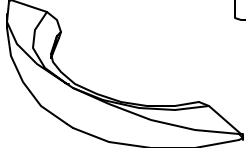

<p>H128158</p>  <p>Quantity 3</p>	<p>H108982</p>  <p>Quantity 6</p> <p>M4 x 20mm</p>	<p>WC12953SU WC36753SU WC60353SU</p>
----------------------------------------------------------------------------------------------------------------------------	----------------------------------------------------------------------------------------------------------------------------------------------	----------------------------------------------



<p>H67891</p>  <p>Quantity 3</p>	<p>H83978</p>  <p>Quantity 6</p> <p>#8 x 1"</p>	<p>WC8453SU WC90453SU</p>
----------------------------------------------------------------------------------------------------------------------------	--------------------------------------------------------------------------------------------------------------------------------------------	-------------------------------



<p>H83034</p>  <p>Quantity 3</p>	<p>H83978</p>  <p>Quantity 6</p> <p>#8 x 1"</p>	<p>WC75753SU</p>
----------------------------------------------------------------------------------------------------------------------------	--------------------------------------------------------------------------------------------------------------------------------------------	------------------

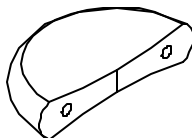

MODEL SPECIFIC HARDWARE

1
8
0
0
9
5
0
4
7
8
2

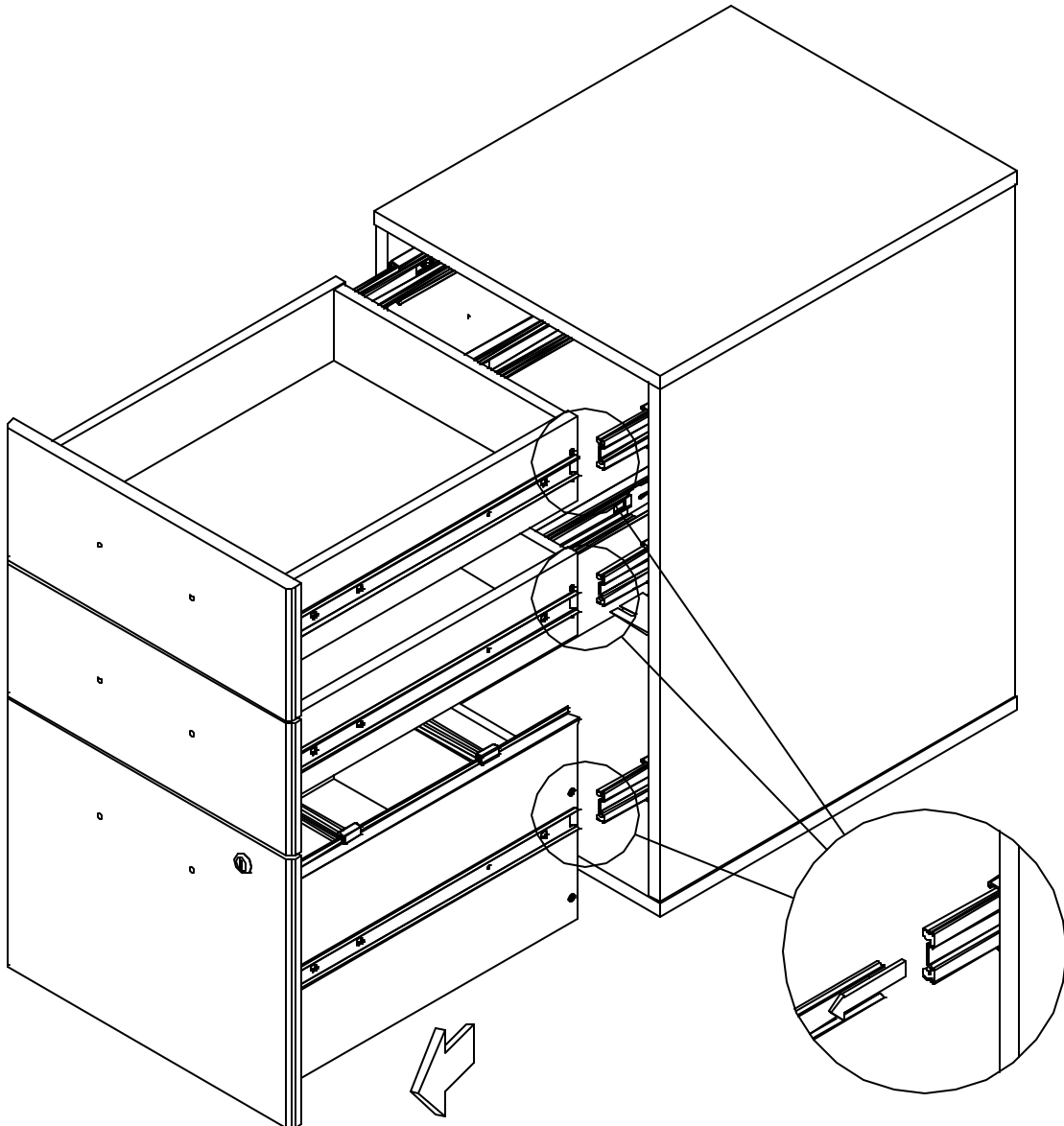
<p>H91373</p>  <p>Quantity 3</p>	<p>H83978</p>  <p>Quantity 6</p> <p>#8 x 1"</p>	<p>WC14553SU</p>
--------------------------------------------------------------------------------------------------------------------------	-----------------------------------------------------------------------------------------------------------------------------------------	------------------

<p>Z92376</p>  <p>Quantity 3</p>	<p>H83027</p>  <p>Quantity 6</p> <p>M4 x 22mm</p>	<p>WC24453SU WC48553SU WC72453SU</p>
--------------------------------------------------------------------------------------------------------------------------	-------------------------------------------------------------------------------------------------------------------------------------------	----------------------------------------------

<p>H97670</p>  <p>Quantity 3</p>	<p>H72550</p>  <p>Quantity 6</p> <p>#8 x 7/8"</p>	<p>WC84853SU WC94453SU</p>
----------------------------------------------------------------------------------------------------------------------------	---------------------------------------------------------------------------------------------------------------------------------------------	--------------------------------

<p>Z92992</p>  <p>Quantity 3</p>	<p>H84510</p>  <p>Quantity 6</p> <p>#7 x 1"</p>	<p>WC57453SU</p>
----------------------------------------------------------------------------------------------------------------------------	-------------------------------------------------------------------------------------------------------------------------------------------	------------------

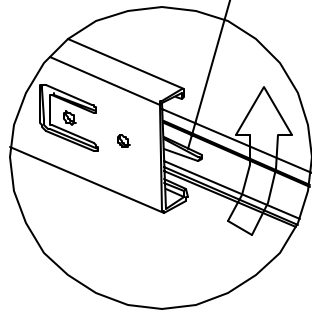
1






?



1
·
8
0
0
·
9
5
0
·
4
7
8
2


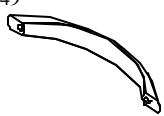

Lock Lever
Palanca de Cerradura
Levier d'arrêt

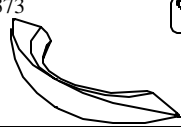





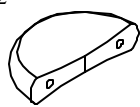

Move lock lever on the drawer runner as shown and separate drawer runner from drawer slide.
Mueva Palanca de la Cerradura en la corredera como se muestra y separe la corredera del deslizable.
Relever le Levier d'arrêt sur la coulisse pour tiror et séparez le coulisseau de la coulisse tel que montré.

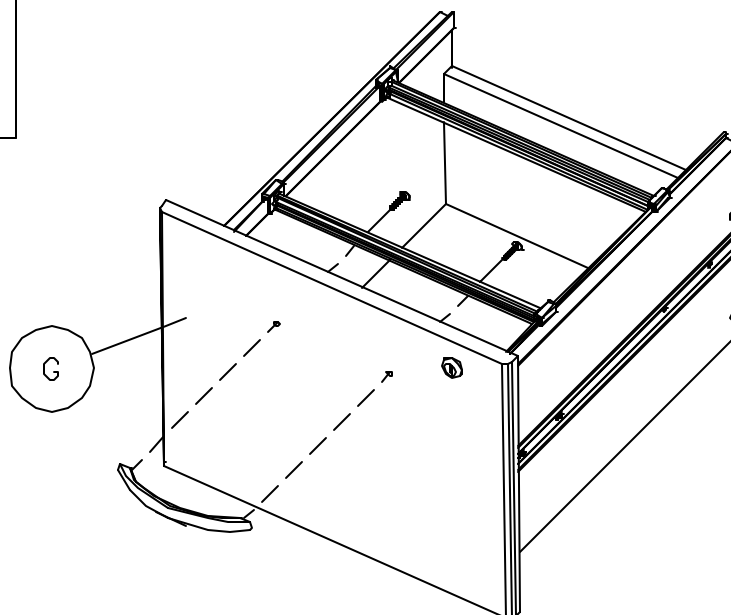
H123342		Quantity 1	WC14353SU WC24453SU WC48553SU WC72453SU
Z92376		Quantity 1	
H83027	 M4 x 22mm	Quantity 2	

H97670		Quantity 1	WC84853SU WC94453SU
H72550	 #8 x 7/8"	Quantity 2	

H128158		Quantity 1	WC12953SU WC36753SU WC60353SU WC64353SU
H126849		Quantity 1	
H108982	 M4 x 20mm	Quantity 2	

H91373		Quantity 1	WC14553SU
H67891		Quantity 1	
H83034		Quantity 1	WC75753SU
H83978	 #8 x 1"	Quantity 2	




Z92992		Quantity 1	WC57453SU
H84510	 #7 x 1"	Quantity 2	





A144793

?
1
·
8
0
0
·
9
5
0
·
4
7
8
2




3

H123342		Quantity 2	WC14353SU WC24453SU WC48553SU WC72453SU
Z92376		Quantity 2	
H83027		Quantity 4	


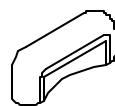
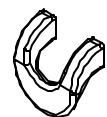

M4 x 22mm

H97670		Quantity 2	WC84853SU WC94453SU
H72550		Quantity 4	

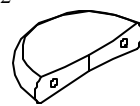

#8 x 7/8"

H128158		Quantity 2	WC12953SU WC36753SU WC60353SU WC64353SU
H126849		Quantity 2	
H108982		Quantity 4	

M4 x 20mm

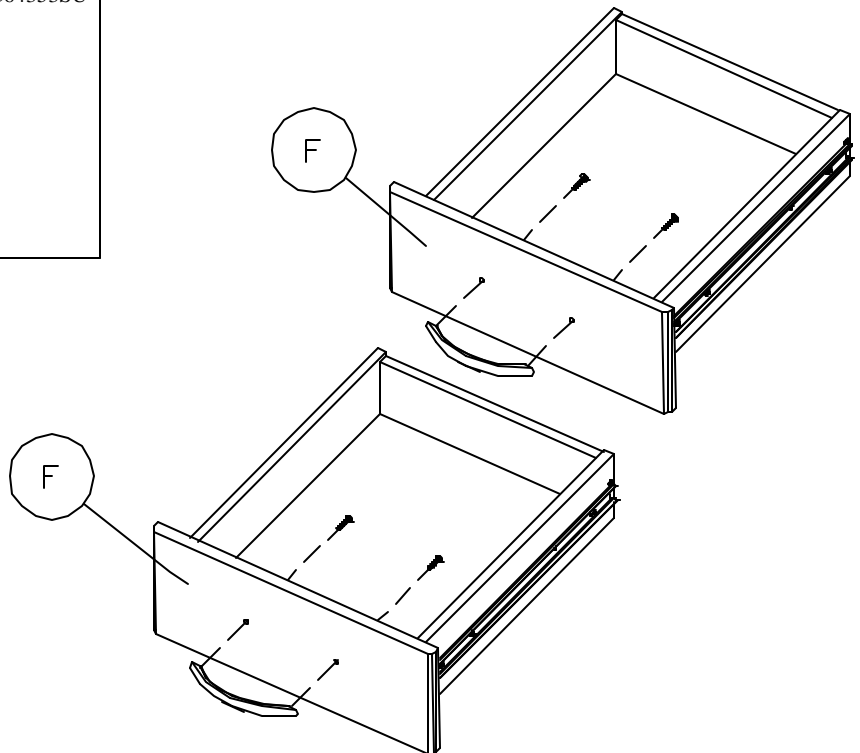
H91373		Quantity 2	WC14553SU
H67891		Quantity 2	
H83034		Quantity 2	WC8453SU WC90453SU
H83978		Quantity 4	

#8 x 1"

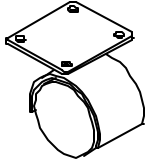
Z92992		Quantity 2	WC57453SU
H84510		Quantity 4	

#7 x 1"

?
1
·
8
0
0
·
9
5
0
·
4
7
8
2

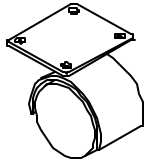


Z29794 [2]



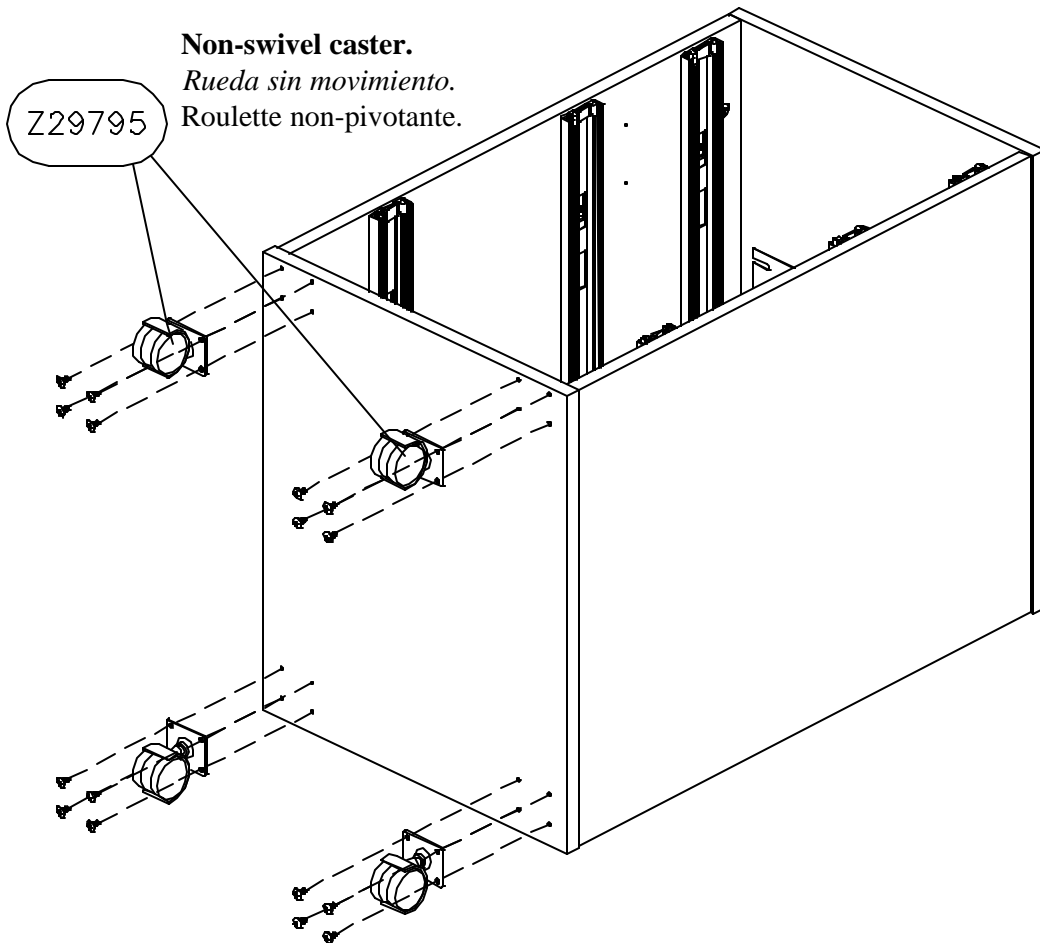
Swivel caster.
Rueda movable.
Roulette pivotante.

Z29795 [2]

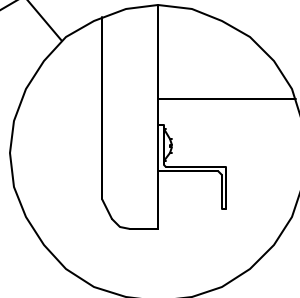
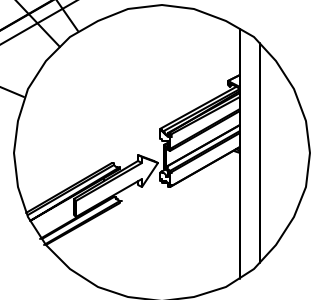
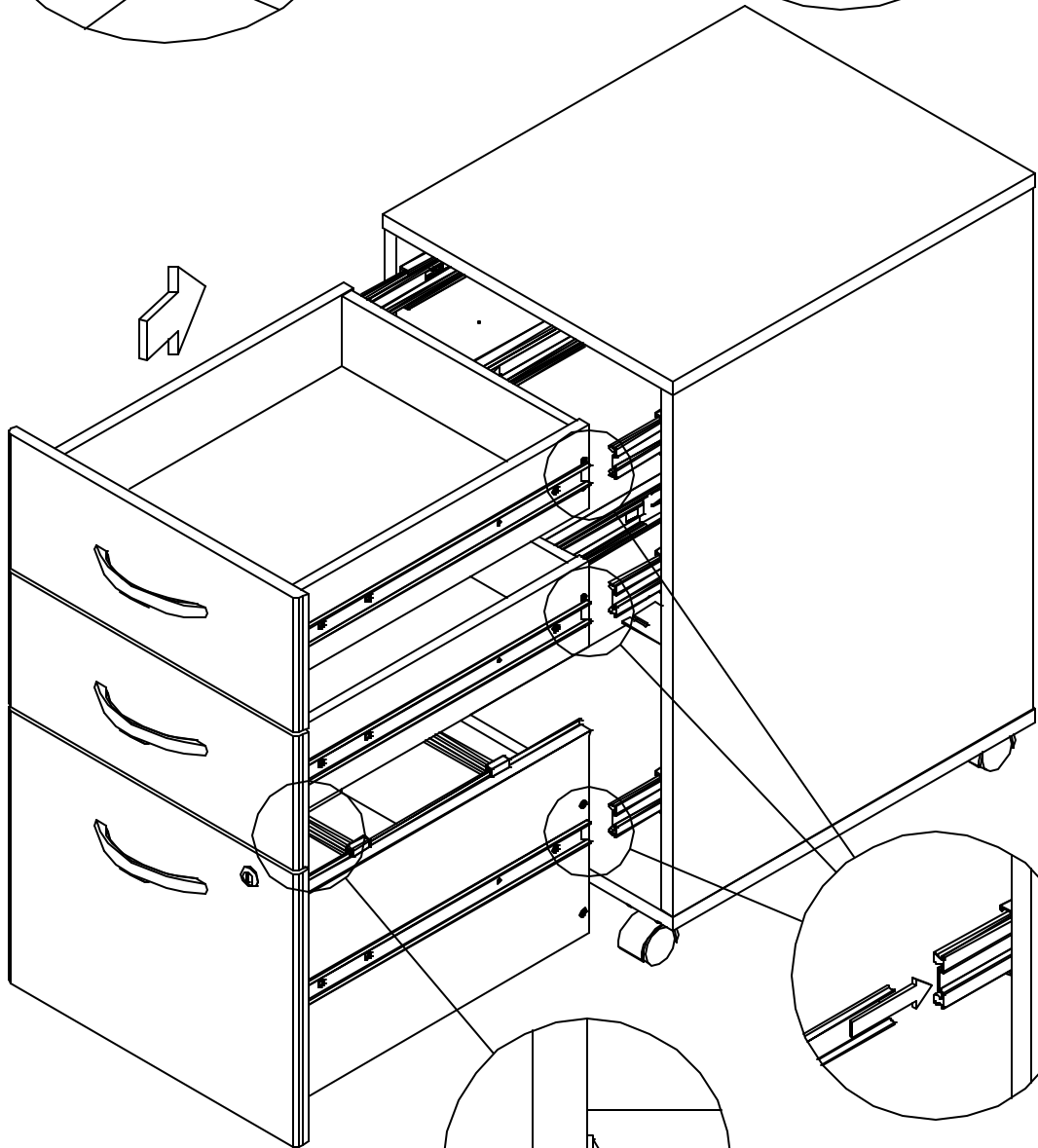
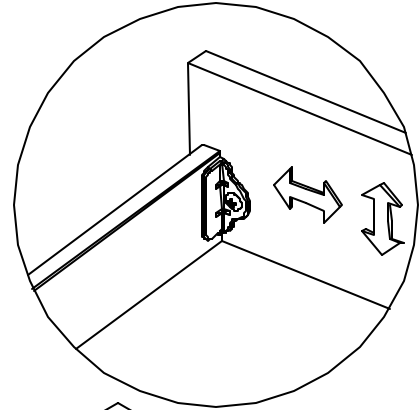
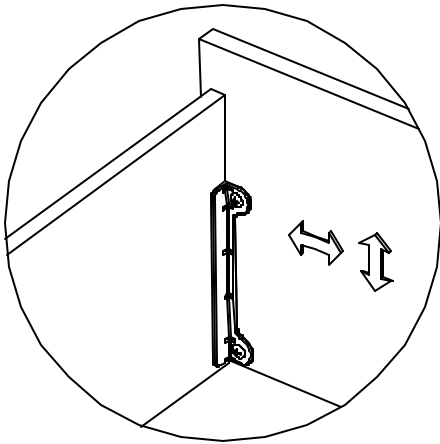


Non-swivel caster.
Rueda sin movimiento.
Roulette non-pivotante.

H35251 [16]



5



?

1
·
8
0
0
·
9
5
0
·
4
7
8
2



A144793