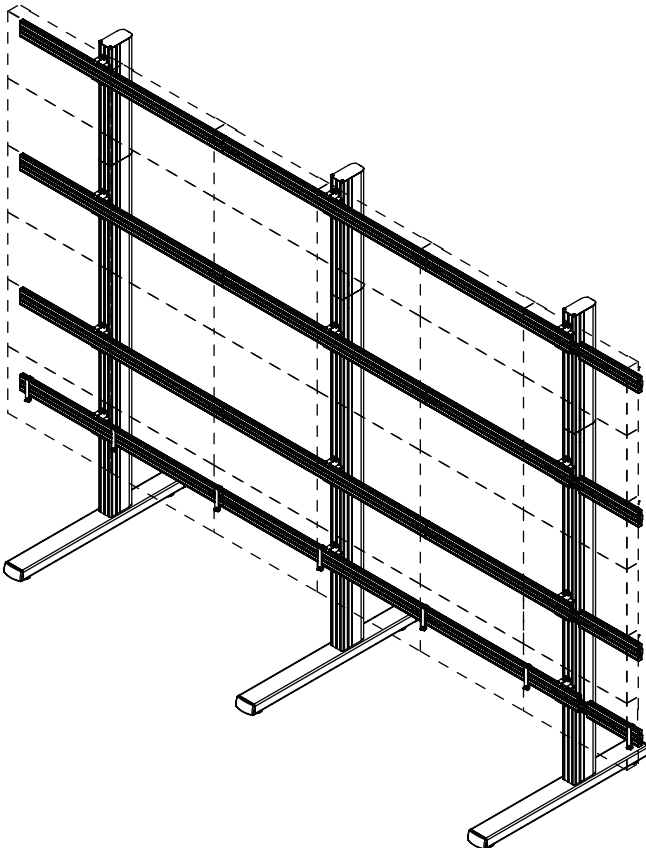
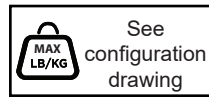
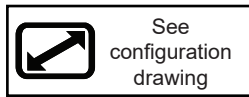




# SEAMLESS Connect Universal dvLED Free Standing LEDFSM Series



## ⚠ WARNING

ENG - Do not begin to install product until you have read and understood the instructions and warnings contained in this user guide. Always use an assistant or mechanical lifting equipment to safely lift and position equipment. This product must be installed onto flat, hard, level surface to prevent tipping. Use with heavier displays may result in instability causing tip over resulting in death or serious injury. The cart or stand is not affixed or secured to the floor, and may therefore tip over and/or fall if screen and/or stand is shaken or hit. Displays must be removed before moving cart. Not recommended for use in areas with heavy traffic. This product is intended for indoor use only. Use of this product outdoors could lead to product failure or personal injury. Screws must be tightly secured. Do not overtighten screws or damage can occur and product may fail. Never exceed the Maximum Load Capacity. Be careful not to pinch fingers when operating the mount. Death or serious injury may occur when children climb on audio and/or video equipment furniture. A remote control or toys placed on the furnishing may encourage a child to climb on the furnishing and as a result the furnishing may tip over on to the child. Relocating audio and/or video equipment to furniture not specifically designed to support audio and/or video equipment may result in death or serious injury due to the furnishing collapsing or over turning onto a child. For support please call customer care at 1-800-865-2112.

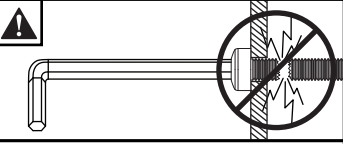
ENG Symbols



ENG WARNING



ENG Screws must get at least three full turns and fit snug.

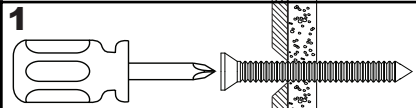


ENG Do not overtighten screws.

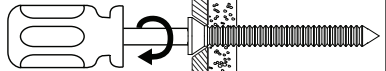


ENG To properly tighten screws: Tighten until screw head makes contact, then tighten another 1/2 turn. Do not overtighten screws.

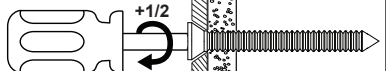
1



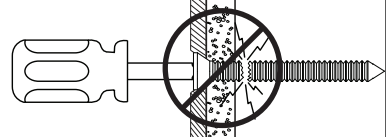
2



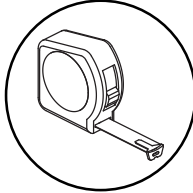
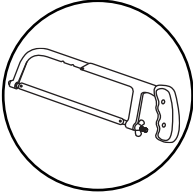
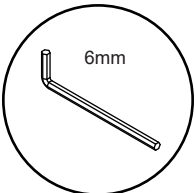
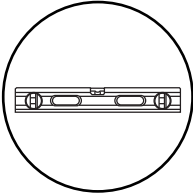
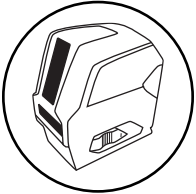
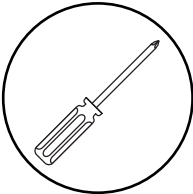
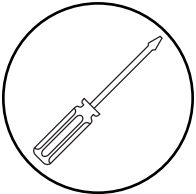
3



4

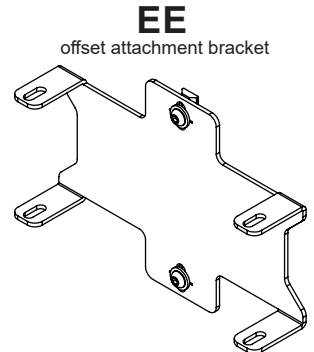
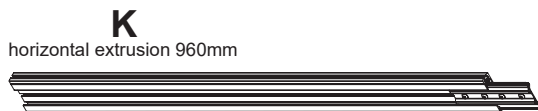
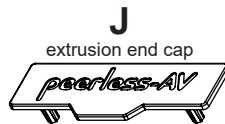
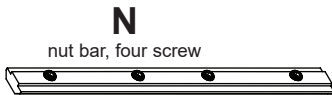
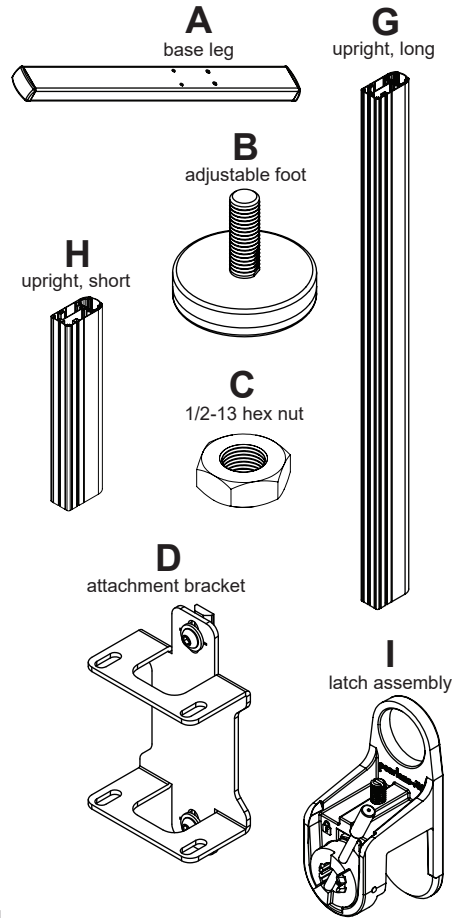


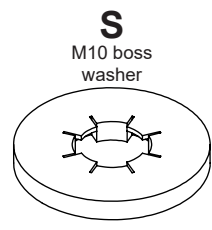
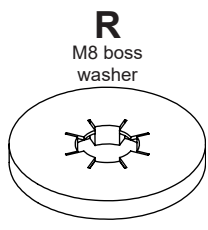
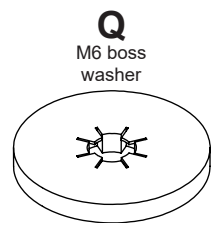
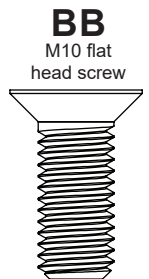
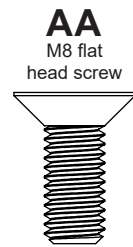
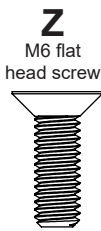
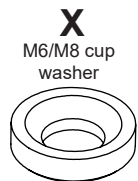
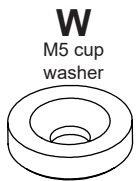
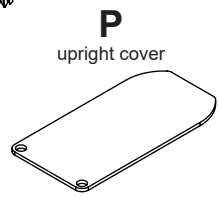
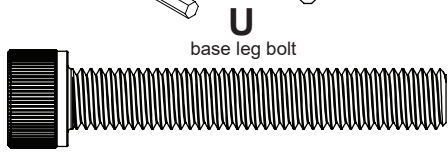
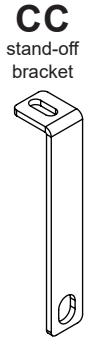
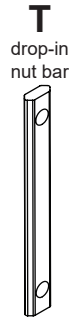
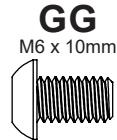
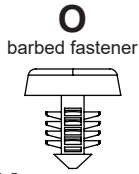
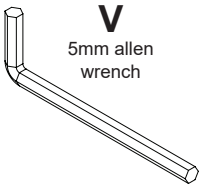
Tools Needed for Assembly.



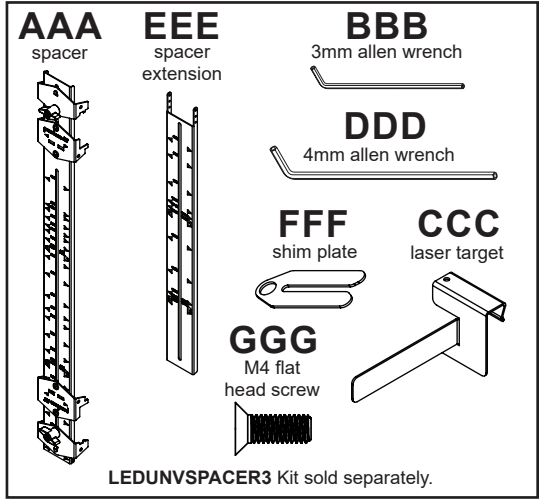
Parts (Before beginning, make sure you have all parts shown below). \*Refer to parts list included with your model.

Parts List	
Description	Qty*
A base leg	*
B adjustable foot	
C 1/2-13 hex nut	
D attachment bracket	
E -	
F 1/4" washer	
G upright, long	
H upright, short	
I latch assembly	
J extrusion end cap	
K horizontal extrusion 960mm	
L M8 tooth washer	
M -	
N nut bar, four screw	
O barbed fastener	
P upright cover	
Q M6 boss washer	
R M8 boss washer	
S M10 boss washer	
T drop-in nut bar	
U base leg bolt	
V 5mm allen wrench	
W M5 cup washer	
X M6/M8 cup washer	
Y M5 flat head screw	
Z M6 flat head screw	
AA M8 flat head screw	
BB M10 flat head screw	
CC stand-off bracket	
DD M6/M8 washer	
EE offset attachment bracket	
FF -	
GG M6 x 10mm socket screw	



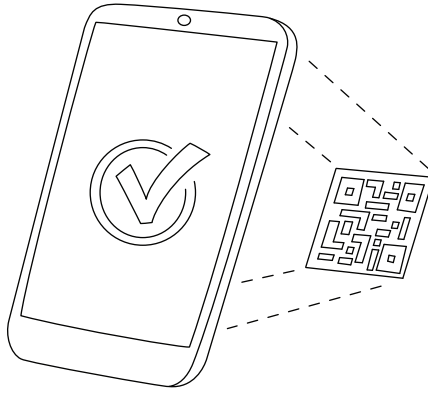


Parts List		
Description	Qty.	
AAA spacer	2	
BBB 3mm allen wrench	1	
CCC laser target	2	
DDD 4mm allen wrench	1	
EEE spacer extension	2	
FFF shim plate	2	
GGG M4 flat head screw	12	



# 1

Scan QR Code provided to obtain dvLED configurator drawing specific to your model.



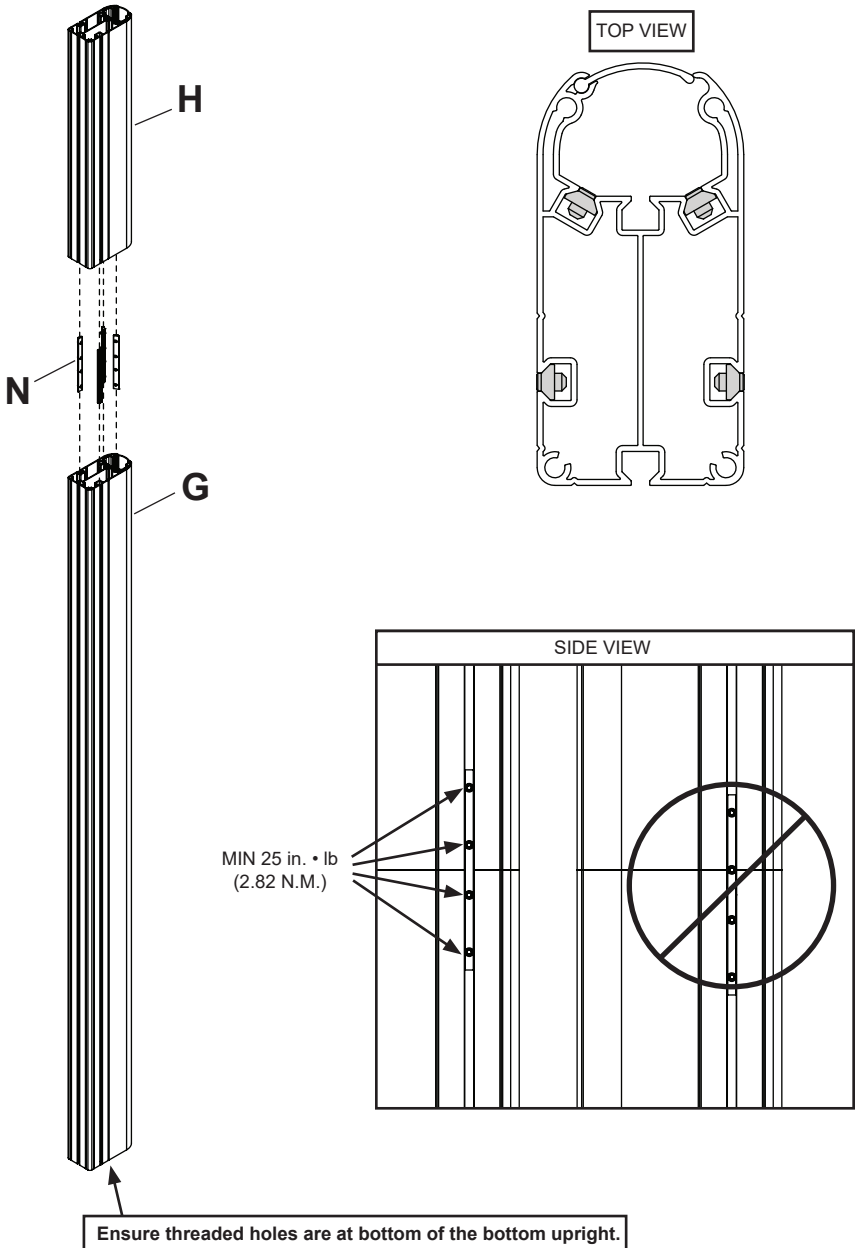
USA



UK

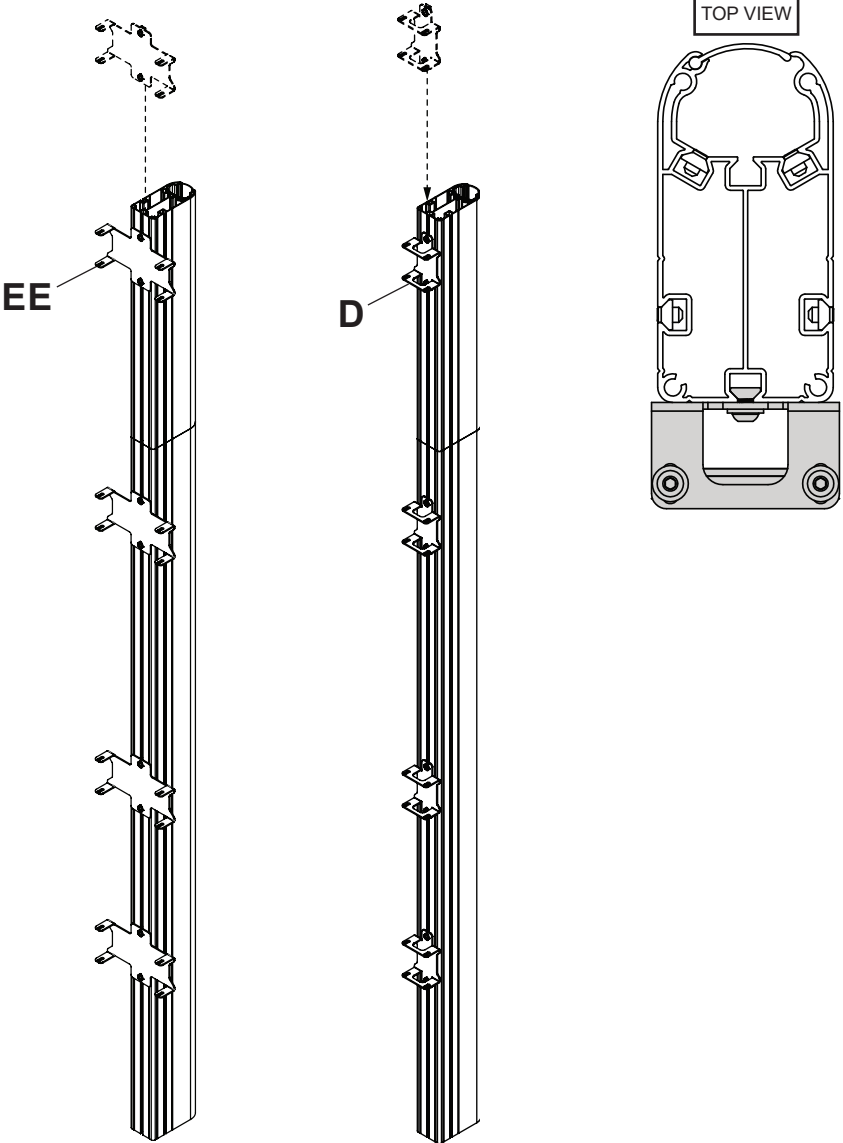
# 2-1

Join vertical uprights using nut bars provided. Arrange so that longest upright is at the bottom.



## 2-2

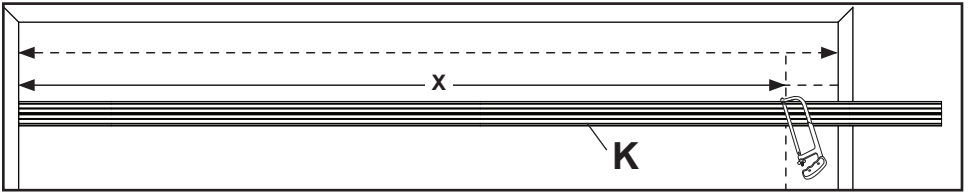
Slide brackets onto vertical upright. Note, your configuration may require vertical upright installed with offset bracket (EE). Refer to configuration drawing specific to your model. Hand tighten hardware.



### 3-1

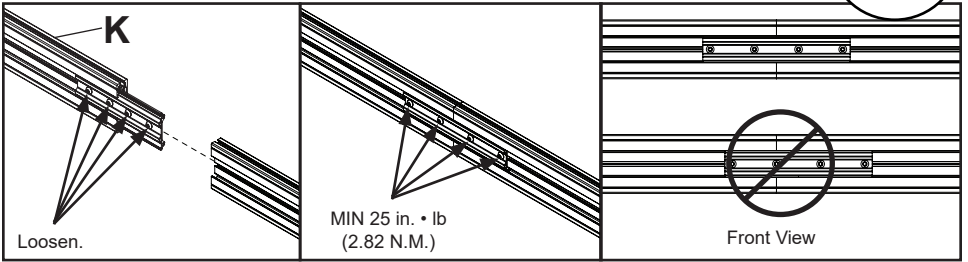
For displays narrower than 960mm, determine the required extrusion length with the following extrusion cut to length formula:

$$\text{Video Wall Width} - 0.25" (6\text{mm}) = \text{Extrusion Length}$$



### 3-2

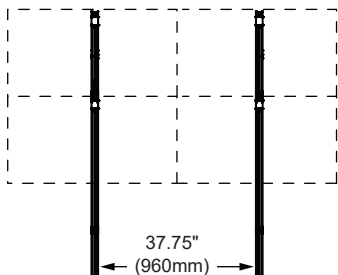
Connect two horizontal extrusions using connector plate.



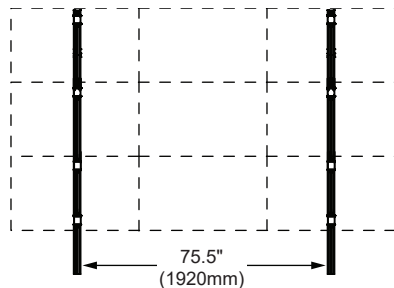
# 4

With uprights laying down, space them based on number of display columns in your video wall.

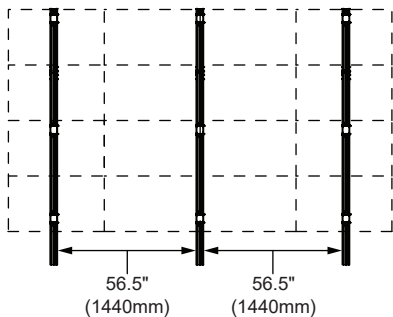
**2 COLUMN VIDEO WALL**



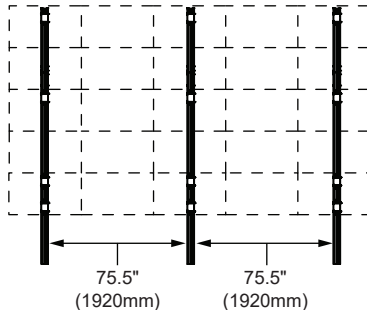
**3 COLUMN VIDEO WALL**



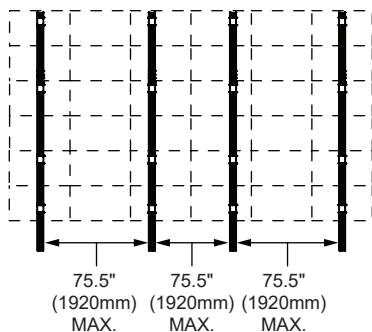
**4 COLUMN VIDEO WALL**



**5 COLUMN VIDEO WALL**



**>5 COLUMN VIDEO WALL**



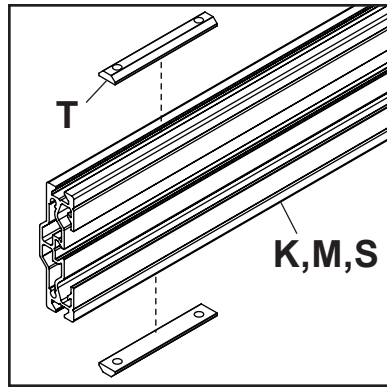
Position upright in center of each display column on the ends.

Spacing between two uprights going towards the video wall center shall not exceed 75.5" (1920mm).

Refer to configuration drawing specific to your model for additional information.

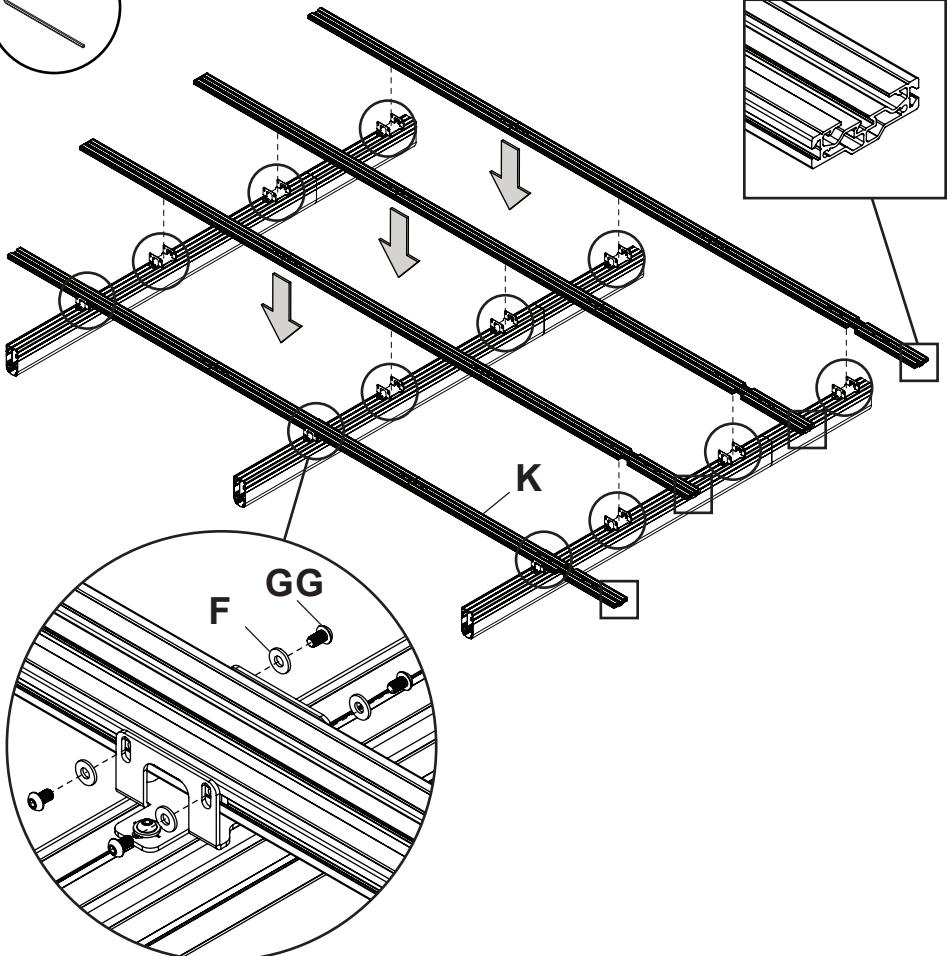
## 5-1

Drop nut bars into top and bottom channels of horizontal extrusions.

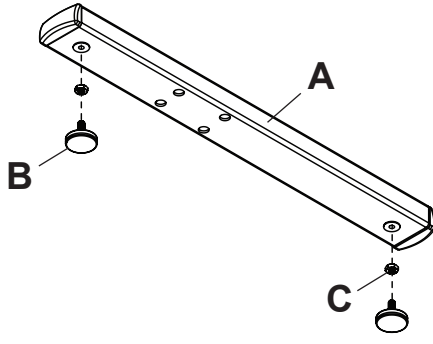


## 5-2

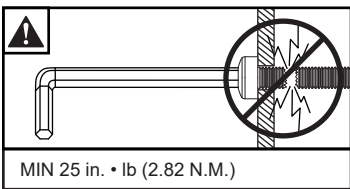
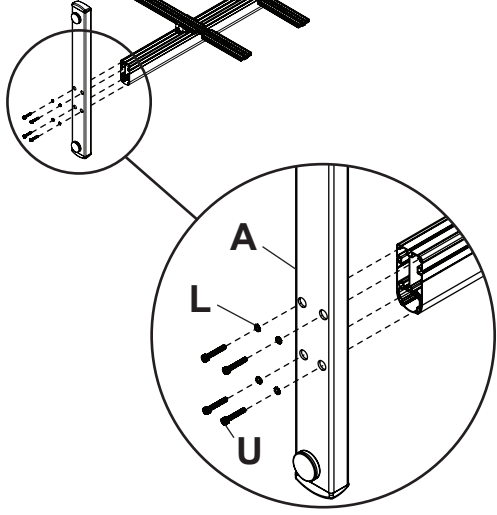
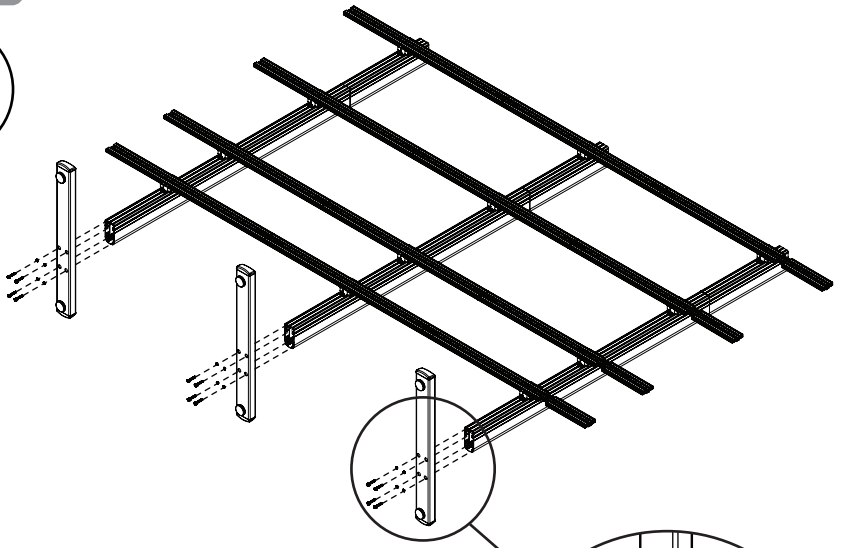
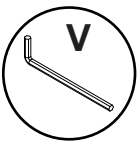
With uprights still laying down, position horizontal extrusions into the openings of the attachment brackets. Align nut bars inside the top and bottom channels of horizontal extrusion with holes of attachment brackets. Secure using hardware provided.



6-1

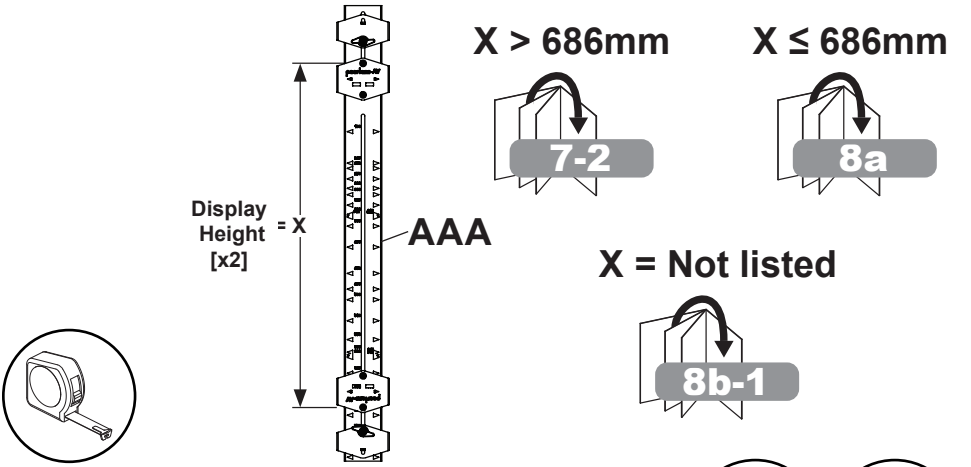


6-2



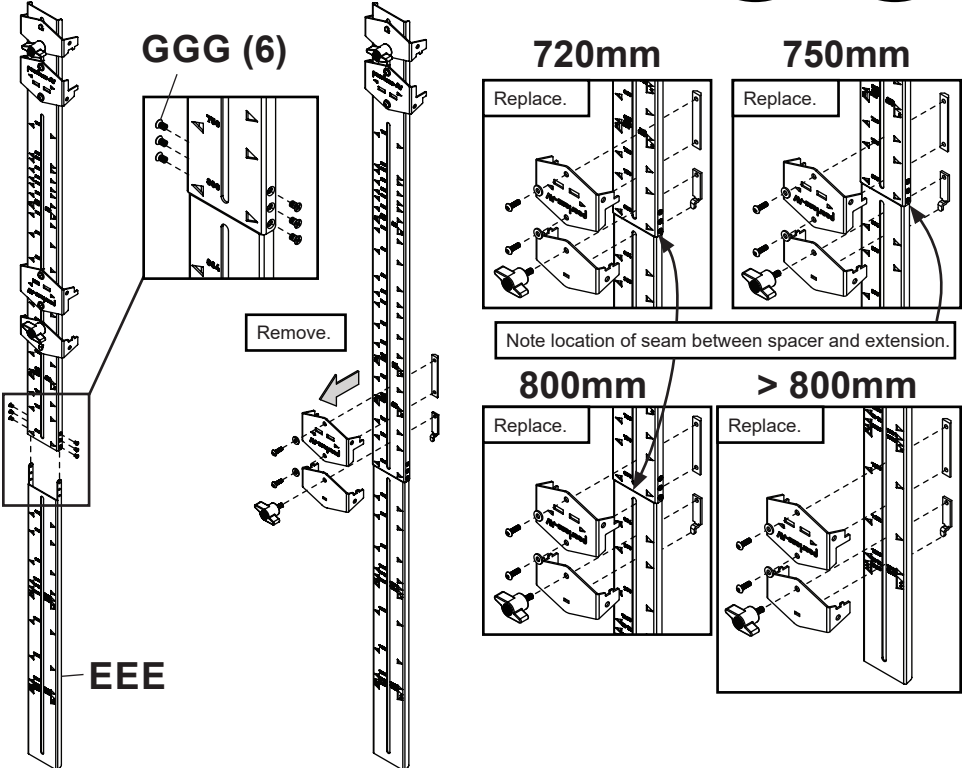
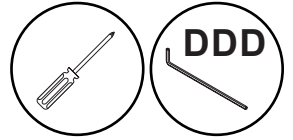
# 7-1

Determine the combined height of TWO displays being mounted and locate the same dimension on the front of spacer. If height is above 686mm, attach spacer extension. If height is not listed on the spacer, use measurement of the combined height of TWO displays to set custom spacing.



# 7-2

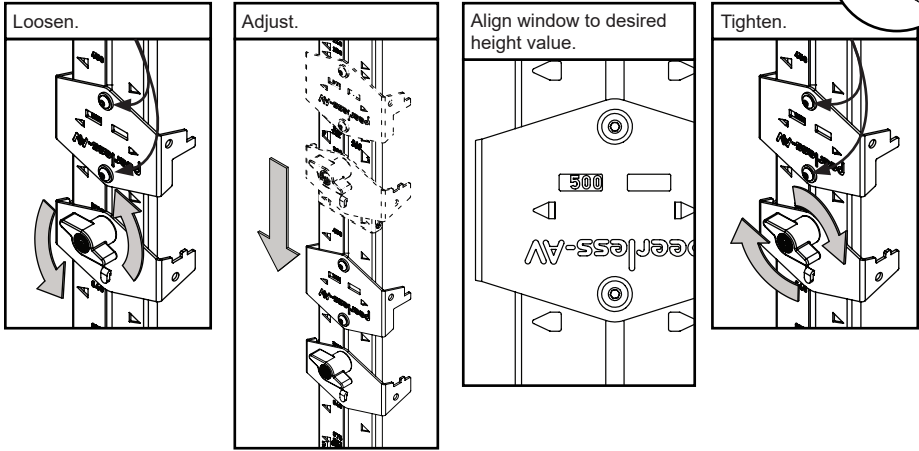
Add the extension when "X" measurement (step 7-1) is taller than 686mm. Detach lower fixed jaw and clamp bracket from main spacer assembly then reattach to the extension.



## 8a

Move spacer bracket and clamp to align window of spacer bracket with corresponding height value (measurement "X", step 7-1).

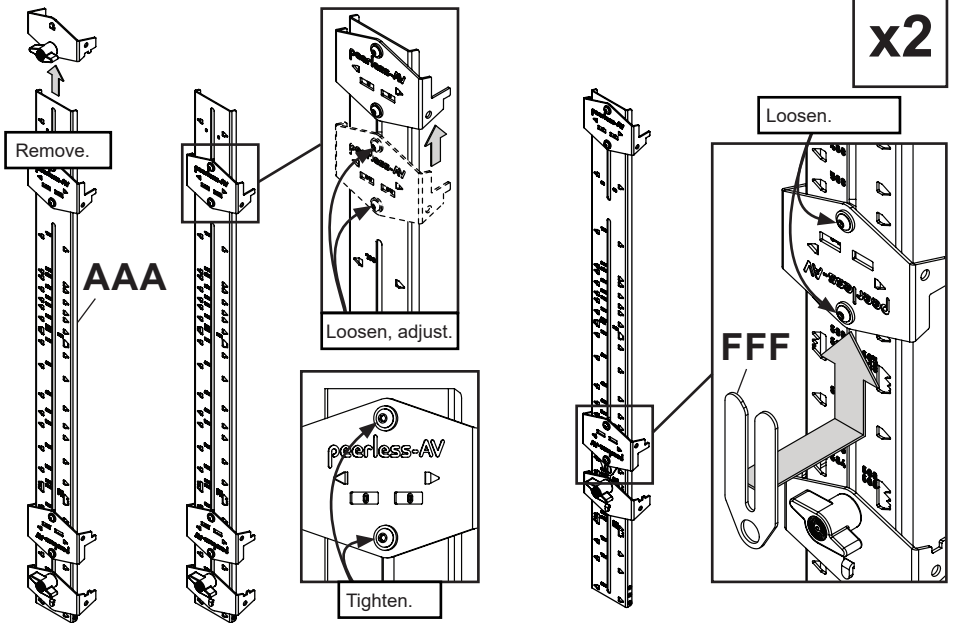
DDD



## 8b-1

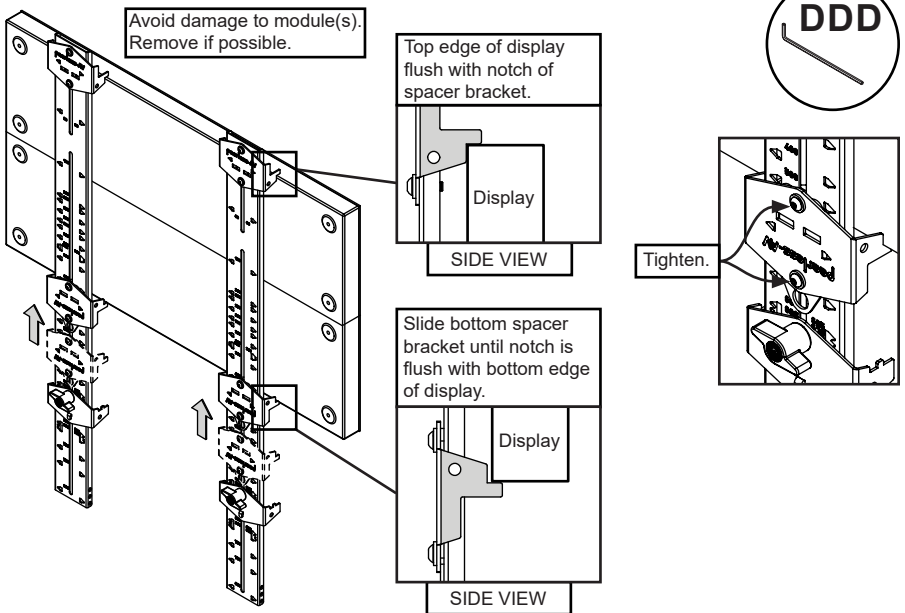
If the combined height of TWO displays is not listed on the spacer, measure them to set custom spacing. Remove top spacer clamp. Move upper spacer bracket to the zero position. Loosen lower spacer bracket to insert shim plate underneath to allow spacer bracket to slide freely.

DDD



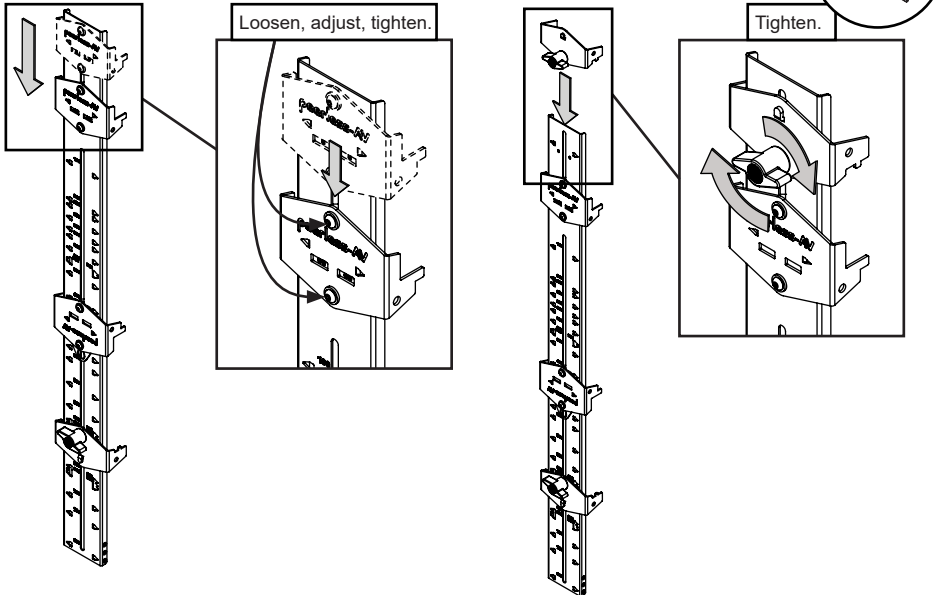
## 8b-2

With spacer brackets positioned wide enough to fit two displays inside, position notch of top spacer bracket flush with top edge of display. Slide the bottom spacer bracket to the bottom edge of display. Tighten screws of bottom spacer bracket.



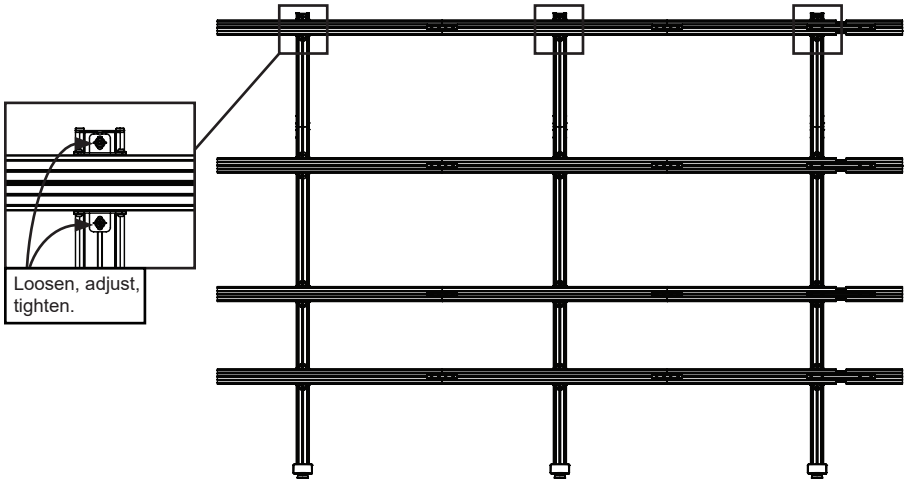
## 8b-3

Remove display. Return top spacer bracket to the 80mm position. Replace top clamp onto assembly.



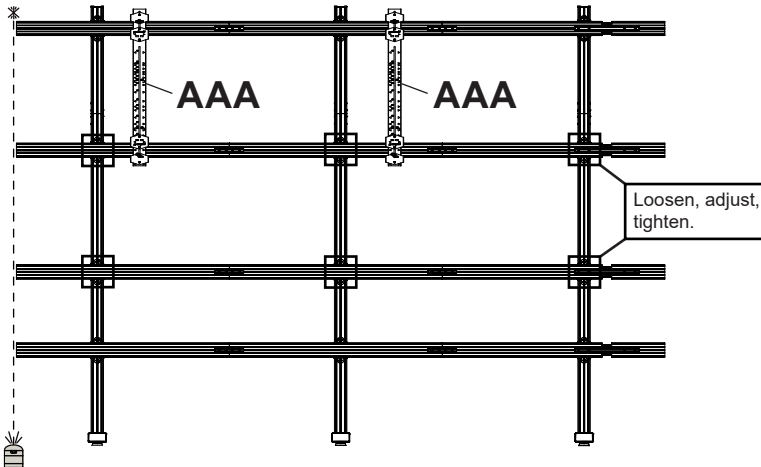
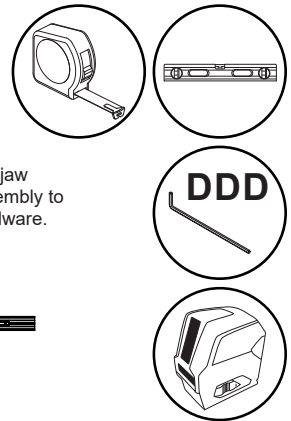
## 9-1

Stand assembly upright. Refer to drawing specific to your model for measurements to locate top horizontal extrusion's height. The top of attachment bracket shall be flush with top of vertical upright. If a lower A.F.F. (Above Finished Floor) height is desired, adjust the height of the top horizontal extrusion as needed.



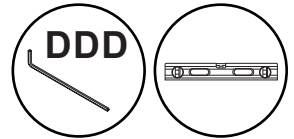
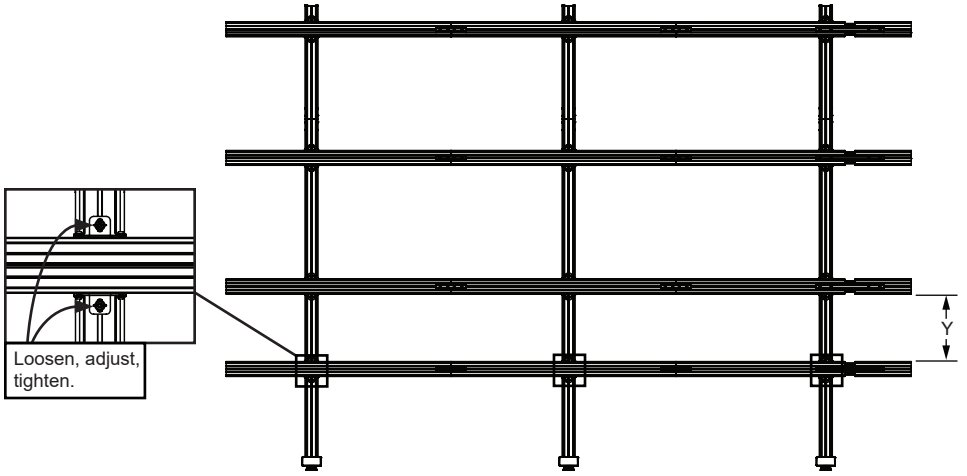
## 9-2

Adjust height of remaining extrusions using the spacers. Clamp the lower spacer jaw assembly to an unadjusted extrusion assembly. Clamp the upper spacer jaw assembly to the extrusion previously installed. Vertically align extrusions with a laser. Tighten hardware.



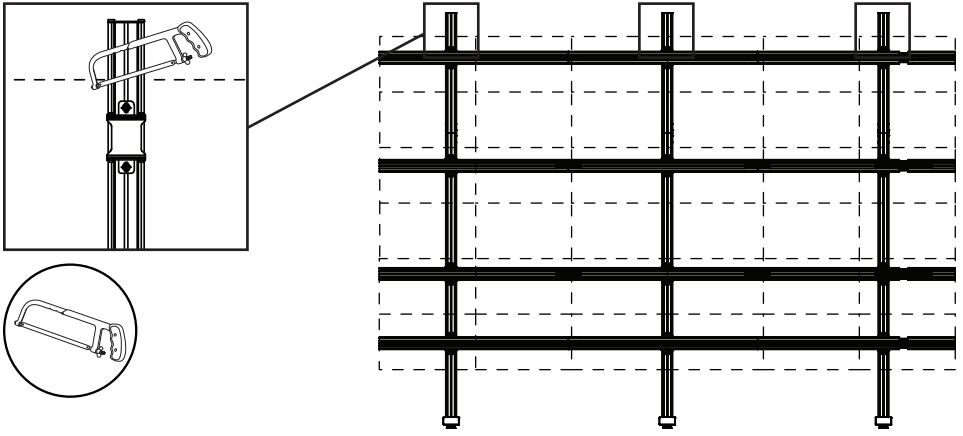
# 9-3

Refer to configuration drawing specific to your model to locate height of bottom horizontal extrusion.  
Y = Bottom of horizontal extrusion second from the bottom to the top of bottom horizontal extrusion.



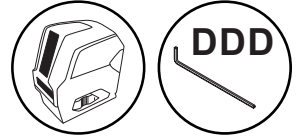
# 10

Optional: If uprights would be visible above the video wall, uprights may be cut as needed.

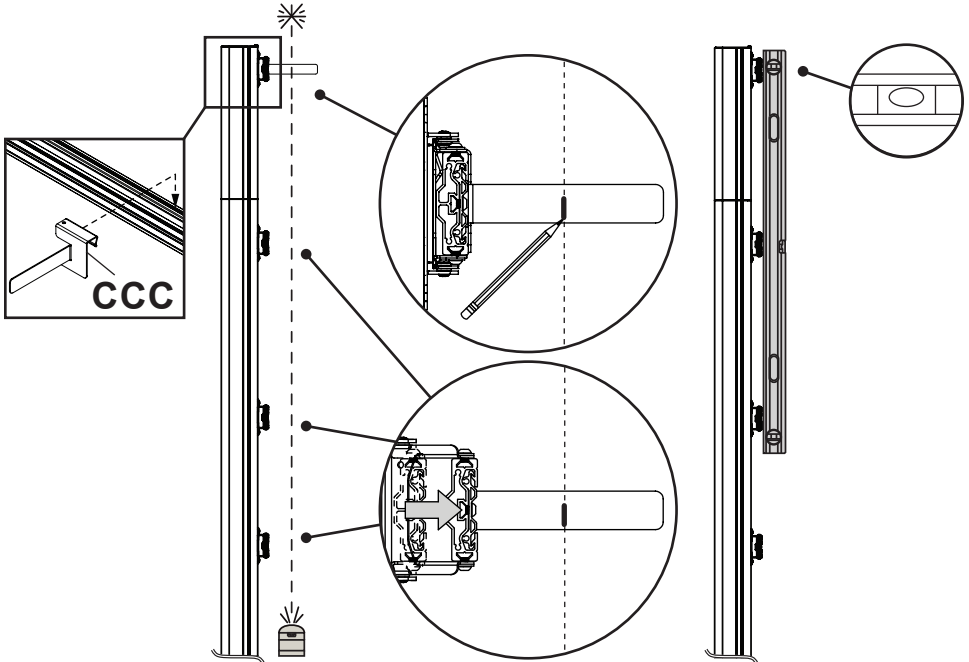


# 11

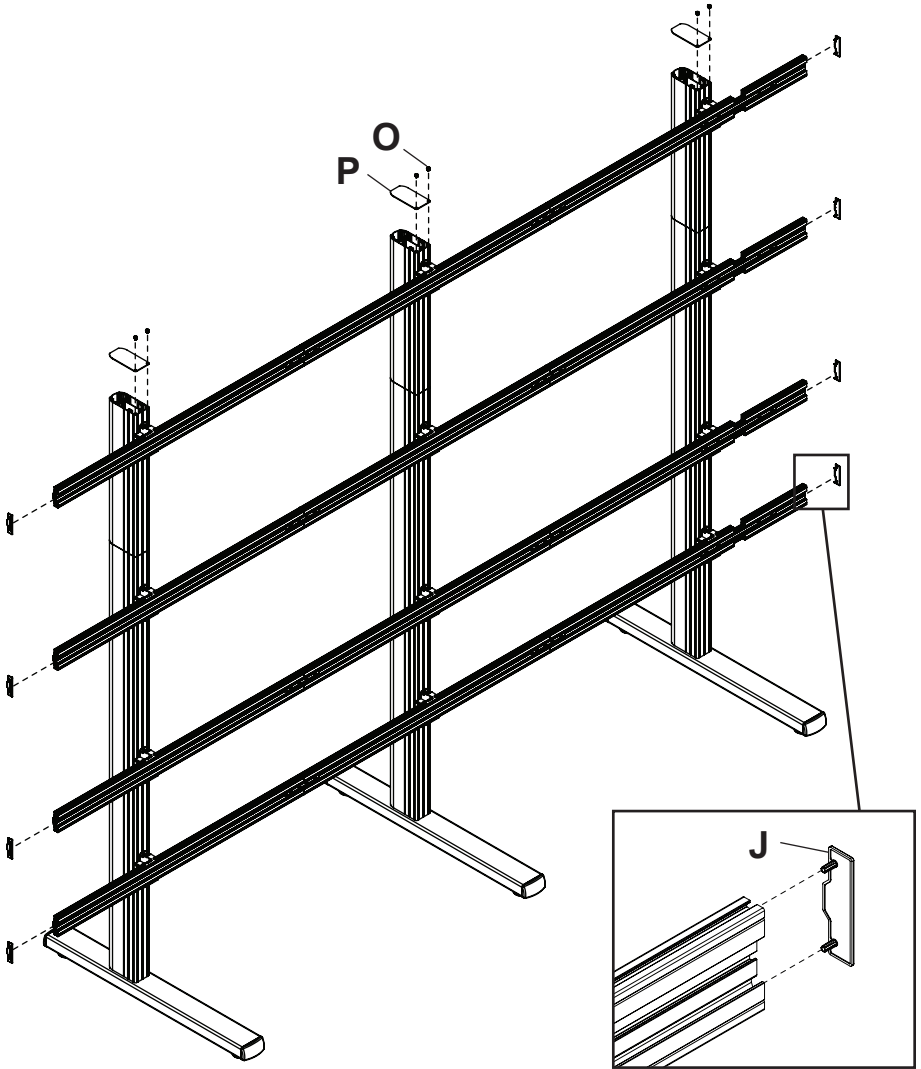
Set the laser level so that it is parallel to the stand. With horizontal extrusion set all the way back, measure from the face of the extrusion to laser, in various locations. Mount laser target at the attachment bracket location that is near the mount's high point, determined by the shortest distance from the extrusion to the laser. Adjust the extrusion out slightly, tighten adjustment screws and mark laser line on the target. Move target to a location near the next attachment bracket, adjusting depth until the laser is on the line, tightening the screws as you go. Continue until all attachment brackets are adjusted.



Double check using a straight edge to span three extrusions. Adjust low and high spots as needed.



Install column covers and extrusion end caps.

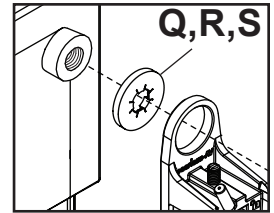
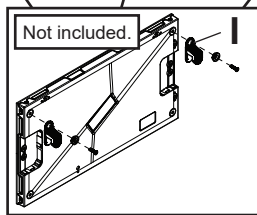
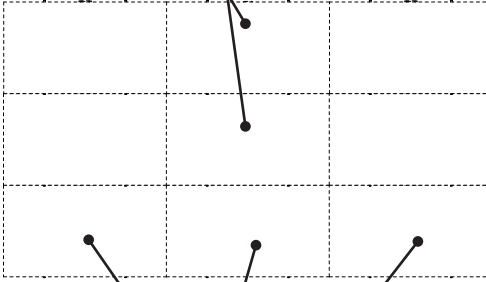
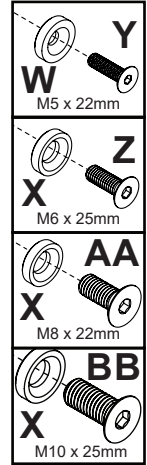
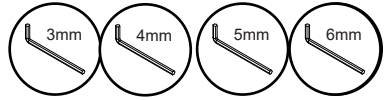
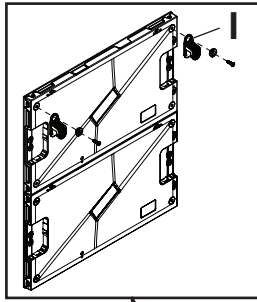


# 13a

ODD  
Number of Rows



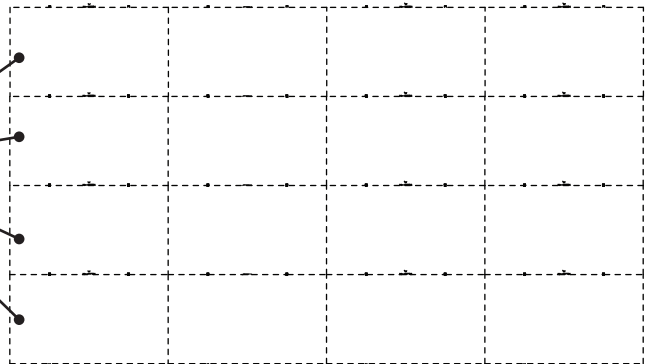
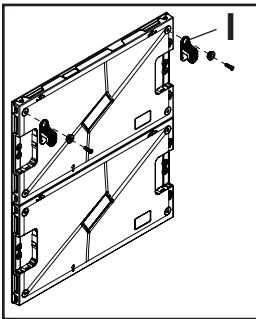
If mounting hardware is preinstalled, remove and replace with hardware provided.



If display has raised mounting points, use boss washers as shown.

# 13b

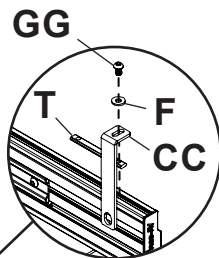
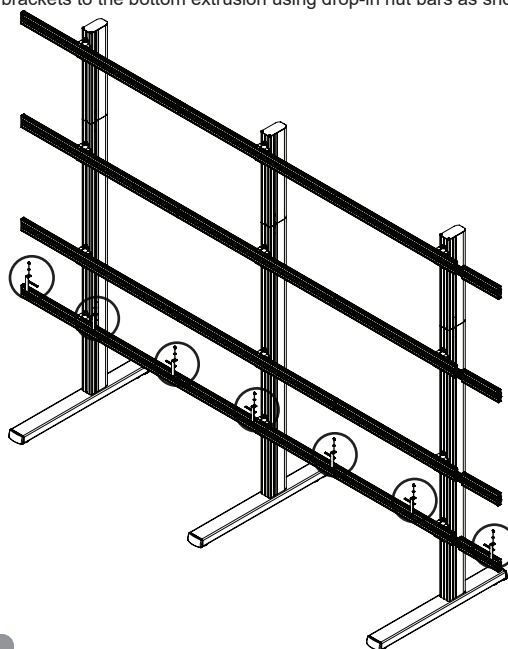
EVEN  
Number of Rows



Join two cabinets together vertically using connecting system. Two displays attached together are then mounted onto extrusion as one.

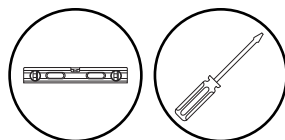
## 14-1

Install stand-off brackets to the bottom extrusion using drop-in nut bars as shown.

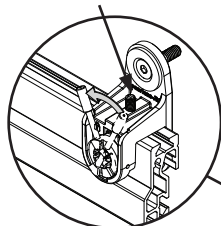


## 14-2

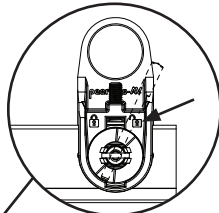
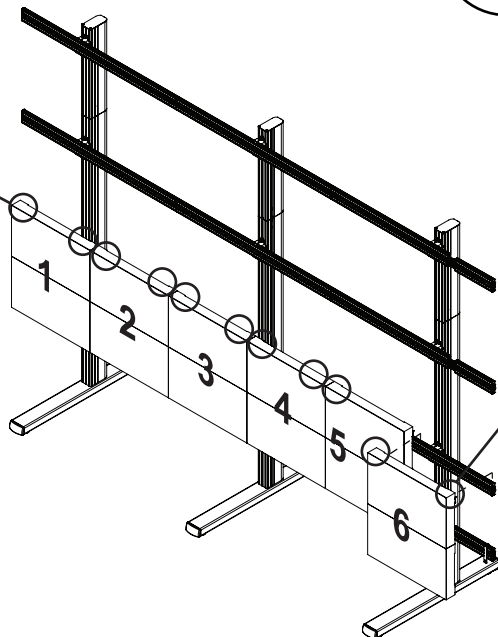
Hook display cabinets onto horizontal extrusion, adjust height to level and join cabinets together using display's connecting system. Close latch, then run cables one at a time starting from left to right.



HEIGHT ADJUSTMENT



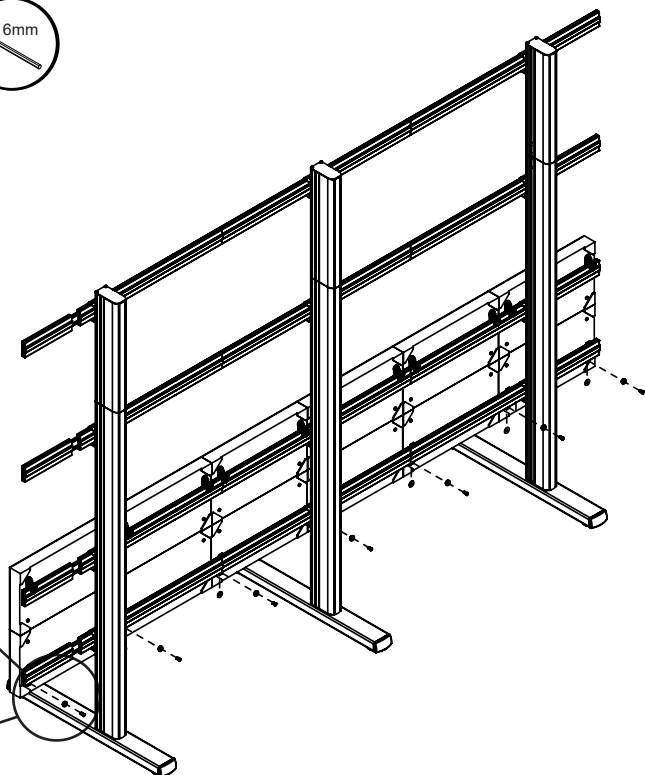
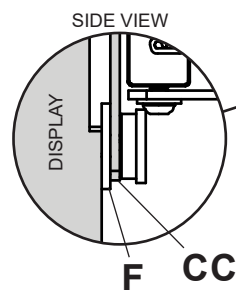
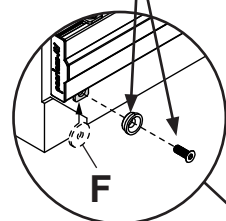
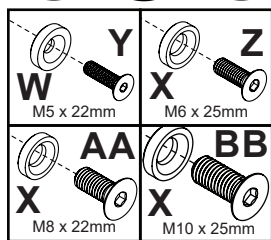
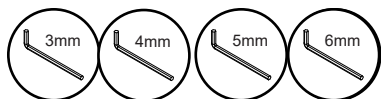
TURN LATCH LEVER TO SECURE



ENSURE LATCH IS UNLOCKED PRIOR TO INSTALLATION.

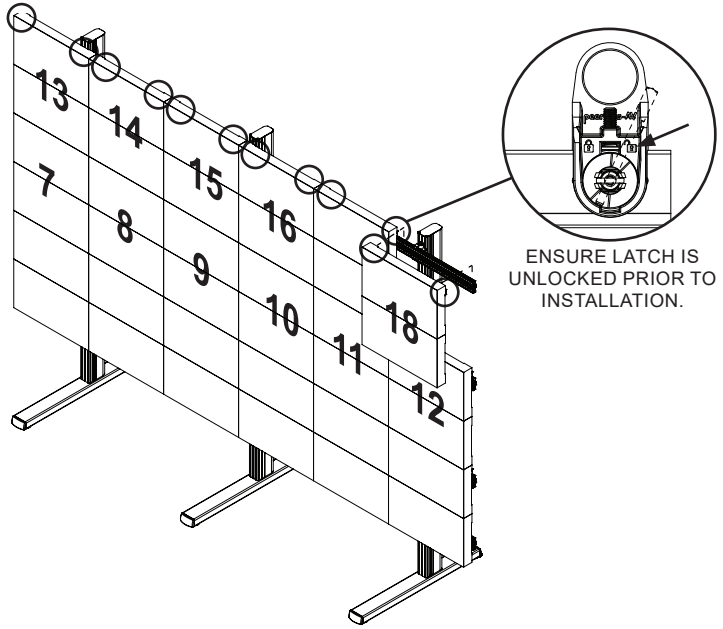
# 14-3

One stand-off bracket shall be located at every seam between two displays.  
Secure stand-off brackets to the bottom mounting holes of the bottom row of displays.



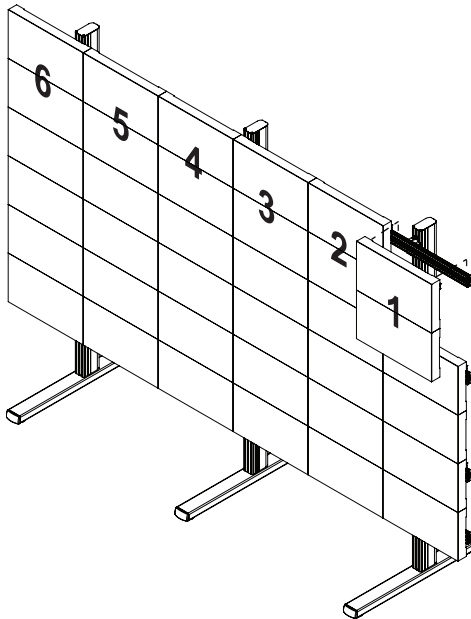
# 15

Hook display cabinets onto horizontal extrusion, adjust height to level and join cabinets together using display's connecting system. Close latch, then run cables one at a time starting from left to right.



# 16

To remove, start from the top right. Open latch assemblies, disconnect cables, separate cabinets and remove displays one at a time.



This page intentionally left blank.

<b>ENG</b> Warranty	<b>ESP</b> Garantía	<b>FRN</b> Garantie	<b>DEU</b> Garantie	<b>NEL</b> Garantie
<b>ITL</b> Garanzia	<b>ČES</b> Záruka	<b>SLK</b> Záruka	<b>POR</b> Garantia	<b>TÜR</b> Garanti

[www.peerless-av.com/warranty](http://www.peerless-av.com/warranty) • [www.peerless-av.com](http://www.peerless-av.com) • [www.peerless-av.com/patents](http://www.peerless-av.com/patents)

# peerless-AV<sup>®</sup>

**Peerless-AV**

2300 White Oak Circle  
Aurora, IL 60502, USA  
[info@peerless-av.com](mailto:info@peerless-av.com)

**(800) 865-2112**  
**(630) 375-5100**

**Peerless-AV EMEA**

Unit 2, Curo Park  
Frogmore, St. Albans,  
Hertfordshire, AL2 2DD  
United Kingdom

**+44 (0) 1923 200 100**

**Peerless-AV B.V.**

Papendorpseweg 75  
3528 BJ Utrecht  
The Netherlands

**+31 (0) 70 770 8037**

**Peerless-AV Latin America**

Av. de las Industrias 413  
Parque Industrial Escobedo  
General Escobedo N.L.,  
México 66062

**+52 (81) 8384-8300**