



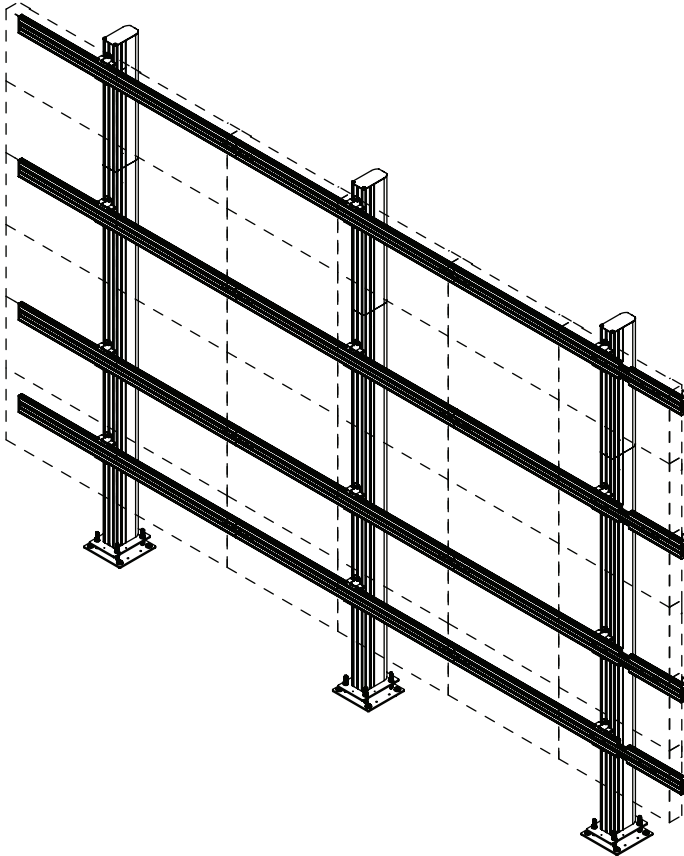
SEAMLESS Connect Universal dvLED Bolt Down LEDBDM Series



See
configuration
drawing



See
configuration
drawing



⚠ WARNING

ENG - This product is designed to be installed on solid concrete. Hardware is included for solid concrete installation. Before installing make sure the supporting surface will support the combined load of the equipment and hardware. Screws must be tightly secured. Do not overtighten screws or damage can occur and product may fail. Never exceed the Maximum Load Capacity. Always use an assistant or mechanical lifting equipment to safely lift and position equipment. This product is intended for indoor use only. Use of this product outdoors could lead to product failure or personal injury. Be careful not to pinch fingers when operating the mount. For support please call customer care at 1-800-865-2112.

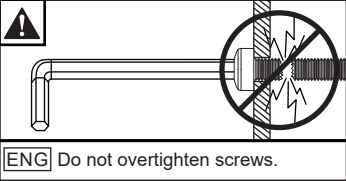
ENG Symbols



ENG WARNING



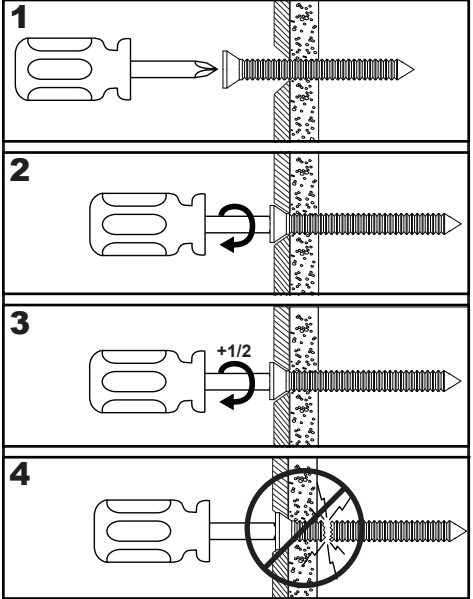
ENG Screws must get at least three full turns and fit snug.



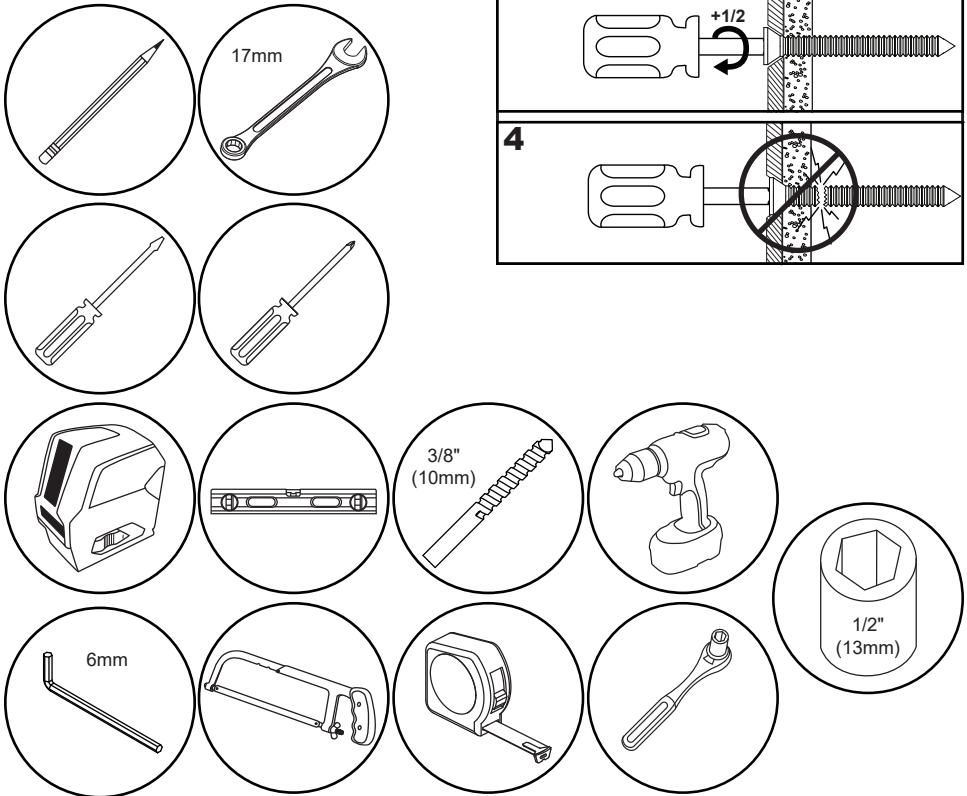
ENG Do not overtighten screws.



ENG To properly tighten screws: Tighten until screw head makes contact, then tighten another 1/2 turn. Do not overtighten screws.

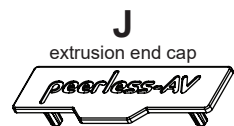
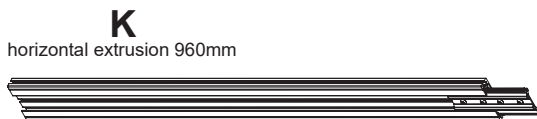
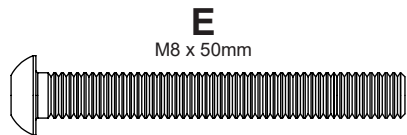
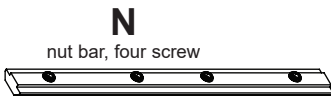
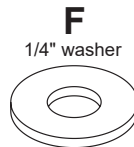
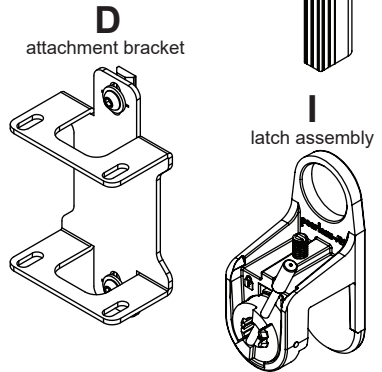
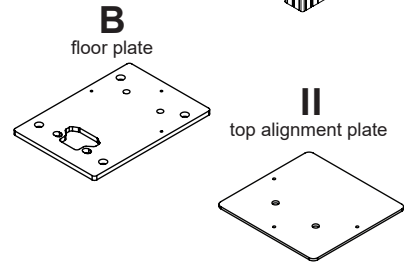
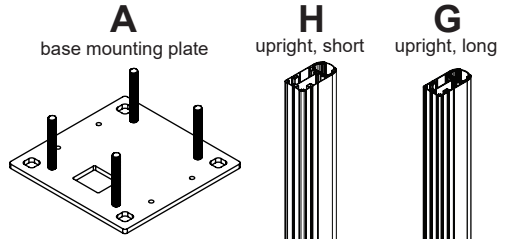


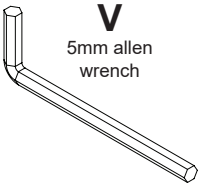
Tools Needed for Assembly.



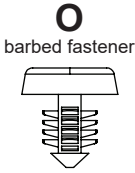
Parts (Before beginning, make sure you have all parts shown below). *Refer to parts list included with your model.

Parts List	
Description	Qty*
A base mounting plate	*
B floor plate	
C hex nut	
D attachment bracket	
E M8 x 50mm socket screw	
F 1/4" washer	
G upright, long	
H upright, short	
I latch assembly	
J extrusion end cap	
K horizontal extrusion 960mm	
L -	
M -	
N nut bar, four screw	
O barbed fastener	
P upright cover	
Q M10 washer	
R -	
S -	
T drop-in nut bar	
U rawl bolt	
V 5mm allen wrench	
W M5 cup washer	
X M6/M8 cup washer	
Y M5 flat head screw	
Z M6 flat head screw	
AA M8 flat head screw	
BB M10 flat head screw	
CC stand-off bracket	
DD -	
EE offset attachment bracket	
FF -	
GG M6 x 10mm socket screw	
HH 1" washer	
II top alignment plate	
JJ M6 boss washer	
KK M8 boss washer	
LL M10 boss washer	

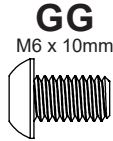




V
5mm allen
wrench



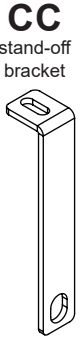
O
barbed fastener



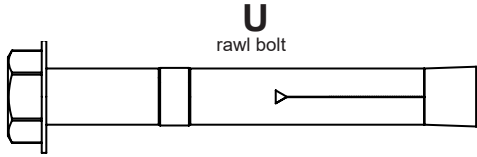
GG
M6 x 10mm



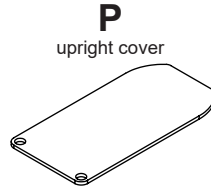
T
drop-in
nut bar



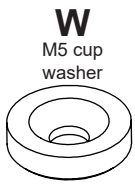
CC
stand-off
bracket



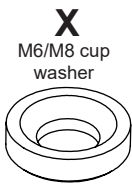
U
rawl bolt



P
upright cover



W
M5 cup
washer



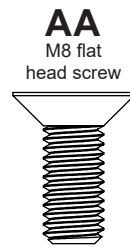
X
M6/M8 cup
washer



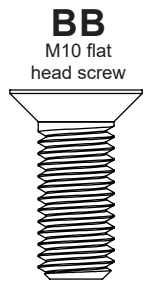
Y
M5 flat
head screw



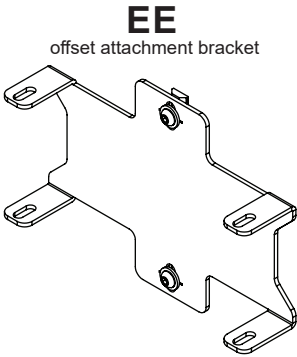
Z
M6 flat
head screw



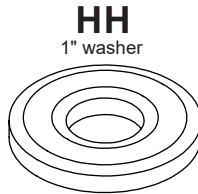
AA
M8 flat
head screw



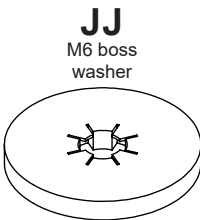
BB
M10 flat
head screw



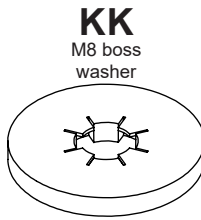
EE
offset attachment bracket



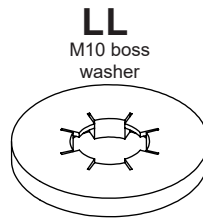
HH
1" washer



JJ
M6 boss
washer



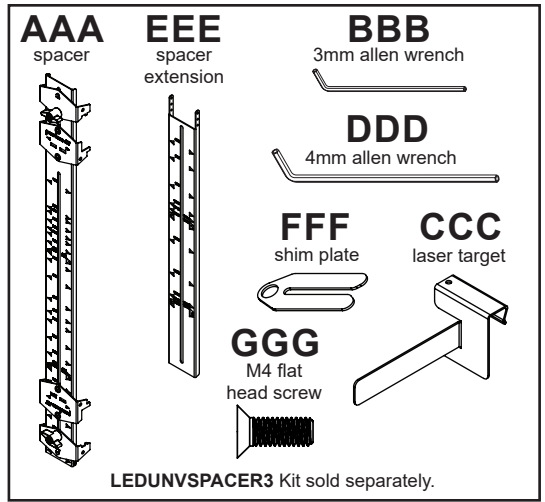
KK
M8 boss
washer



LL
M10 boss
washer

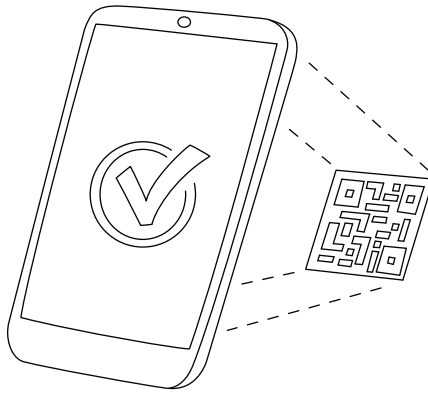
Parts List

Description	Qty.
AAA spacer	2
BBB 3mm allen wrench	1
CCC laser target	2
DDD 4mm allen wrench	1
EEE spacer extension	2
FFF shim plate	2
GGG M4 flat head screw	12



1

Scan QR Code provided to obtain dvLED configurator drawing specific to your model.

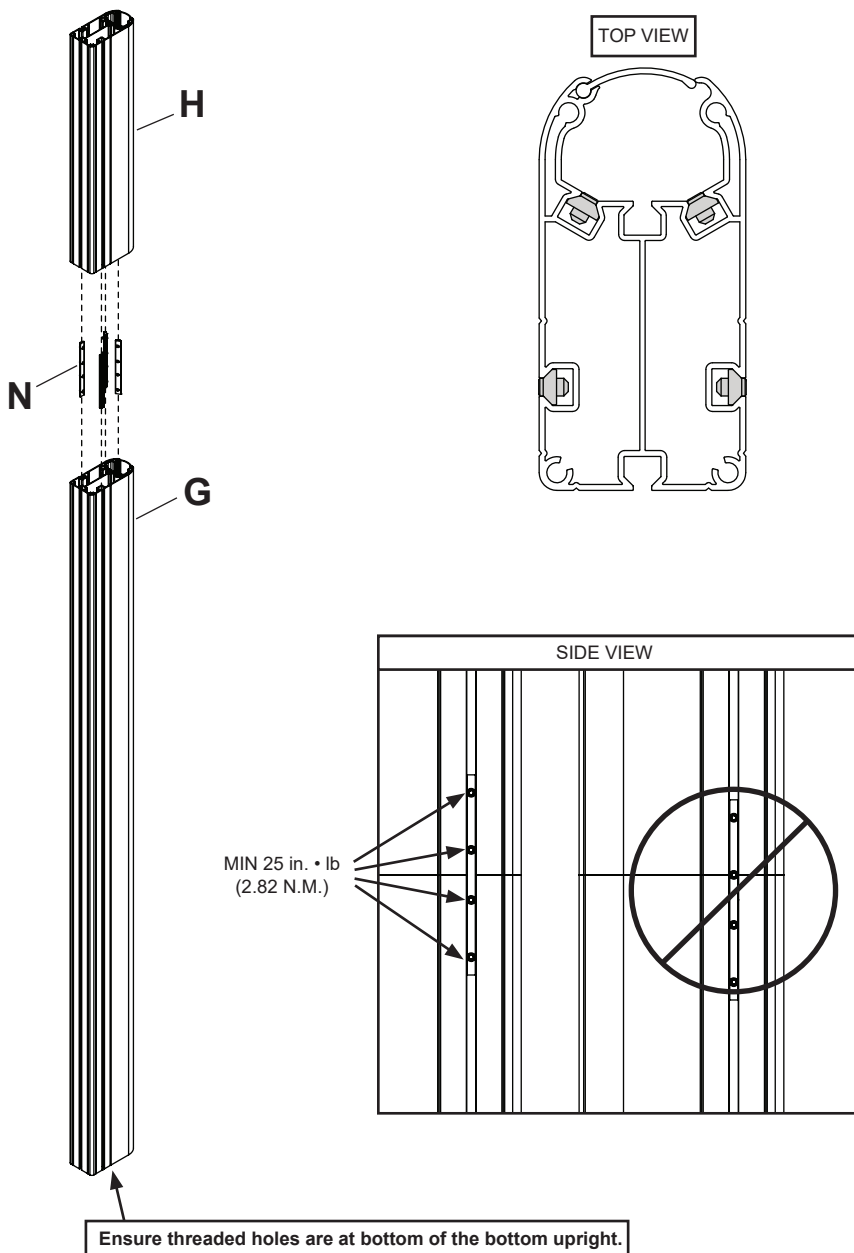


USA



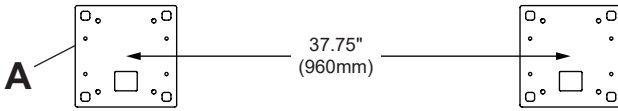
UK

Join vertical uprights using nut bars provided. Arrange so that longest upright is at the bottom.

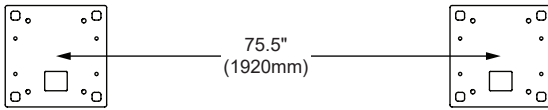


Reference configuration drawing specific to your model for spacing of base mounting plates.

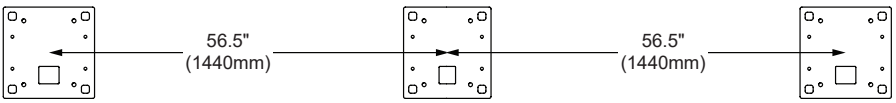
2 DISPLAY COLUMN VIDEO WALL



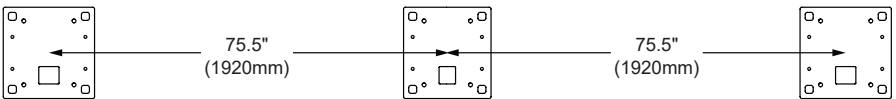
3 DISPLAY COLUMN VIDEO WALL



4 DISPLAY COLUMN VIDEO WALL



5 DISPLAY COLUMN VIDEO WALL



>5 DISPLAY COLUMN VIDEO WALL



Position upright in center of each display column on the ends.
 Spacing between two uprights going towards the video wall center shall not exceed 75.5" (1920mm).
 Refer to configuration drawing specific to your model for additional information.

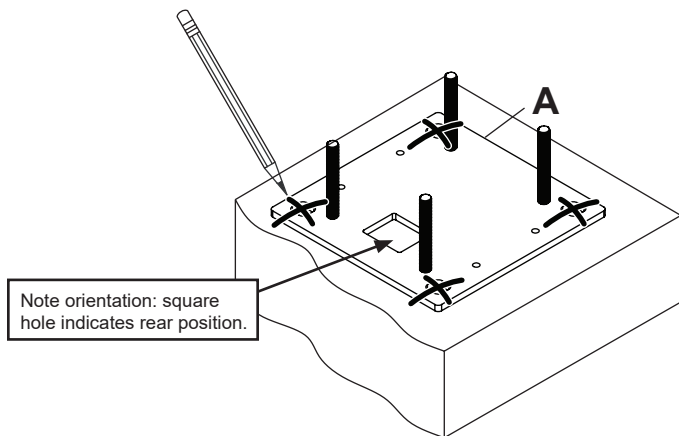
4

▲ WARNING

ENG - When installing Peerless mounts on a concrete floor, the floor must be at least 8" thick with a minimum compressive strength of 2000 psi. Never attach concrete expansion anchors to concrete covered with plaster, drywall, or other finishing material.

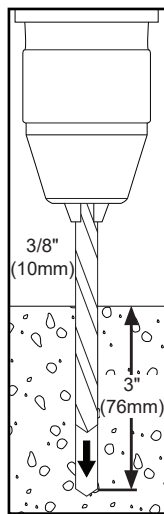
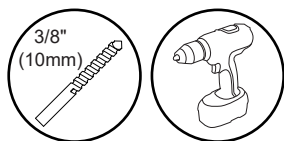
4-1

Mark mounting holes.



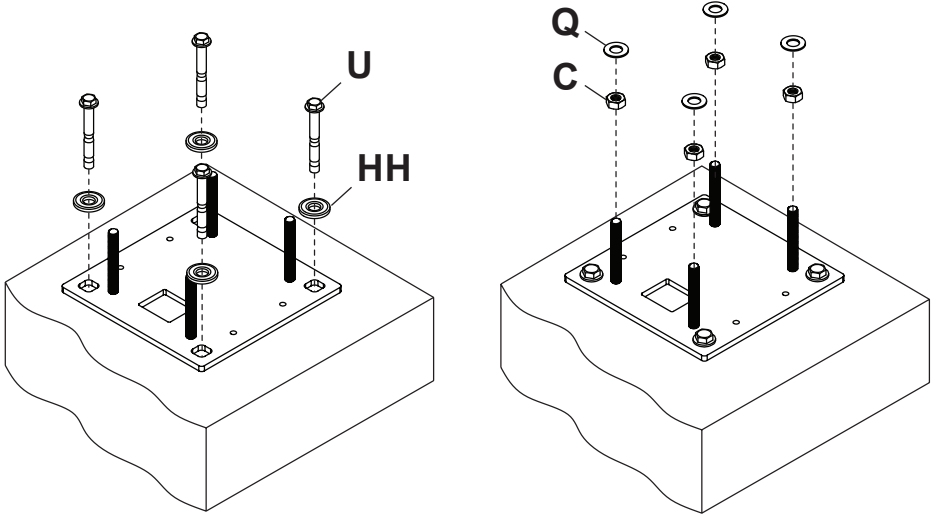
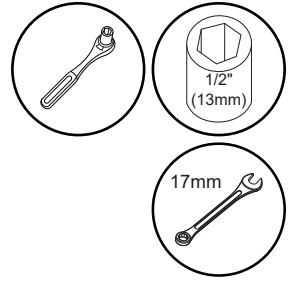
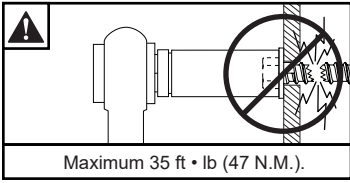
4-2

Drill mounting holes into supporting surface (3" (76mm) minimum depth required).



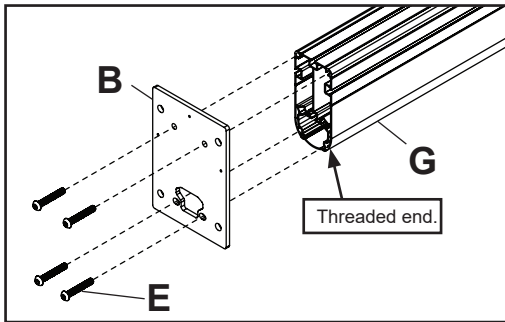
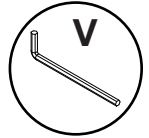
4-3

Align base mounting plates. Install using concrete anchors provided. Install M10 nuts and M10 washers onto threaded posts.



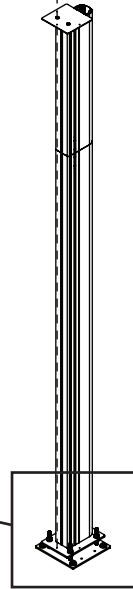
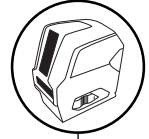
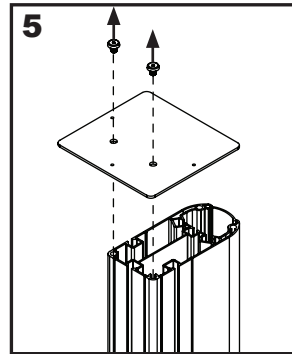
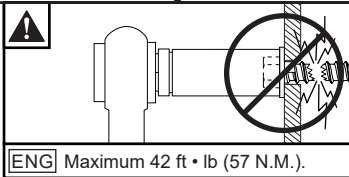
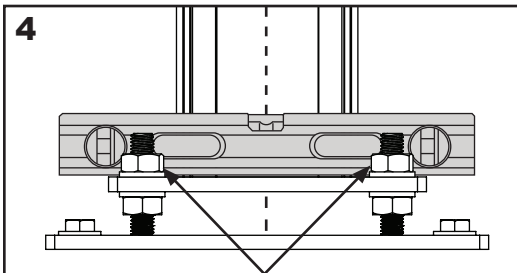
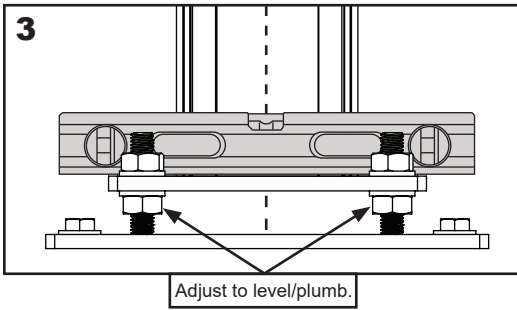
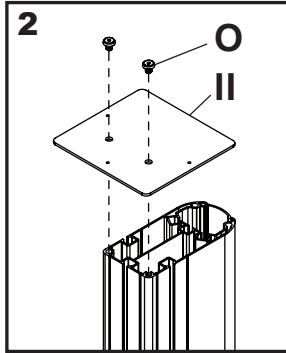
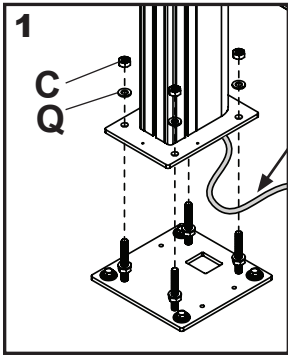
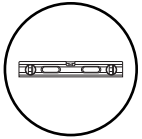
4-4

Attach floor plate to the bottom of long vertical upright, with cut out hole to the rear.



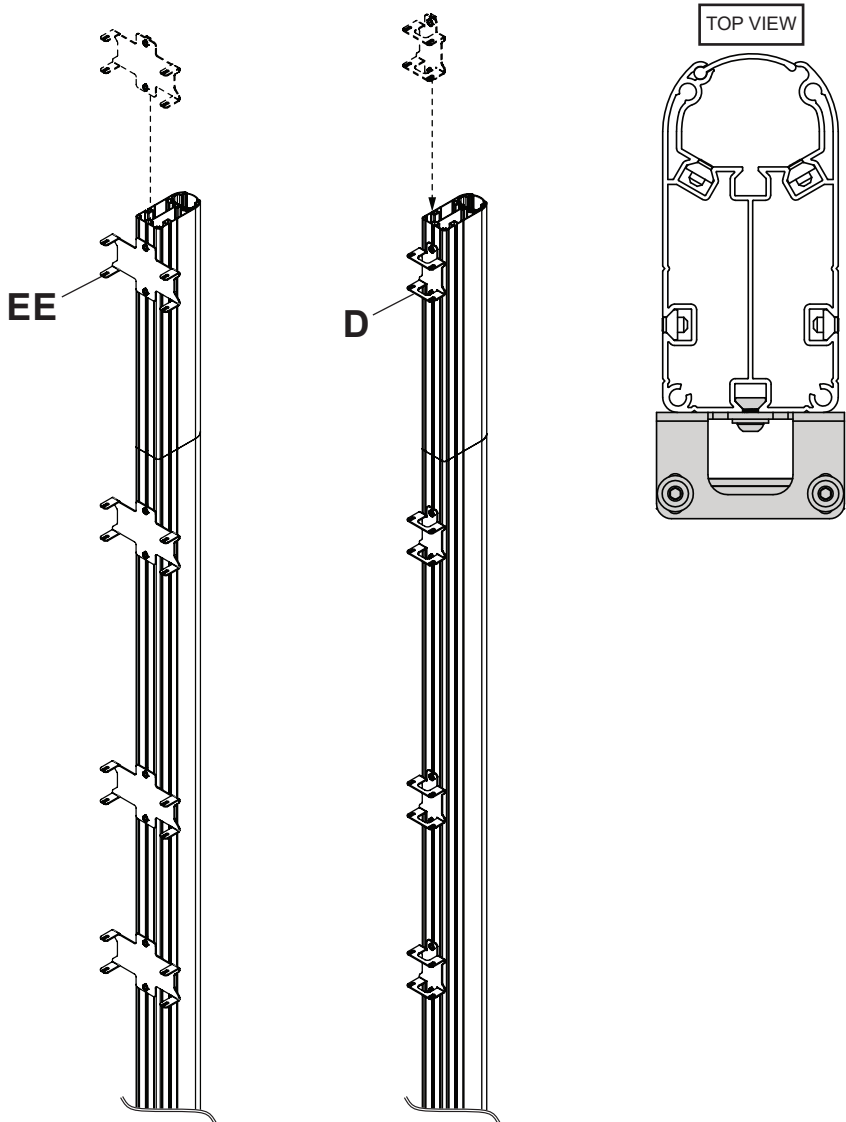
4-5

Install vertical upright assemblies to the base mounting plates. Use a plumb laser to align holes of top alignment and base mounting plate to achieve plumb. Tighten hardware. Repeat for every upright assembly.



5

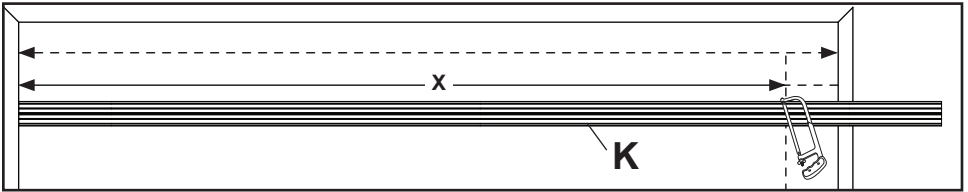
Slide brackets onto vertical upright. Note, your configuration may require vertical upright installed with offset bracket (EE). Refer to configuration drawing specific to your model. Hand tighten hardware.



6-1

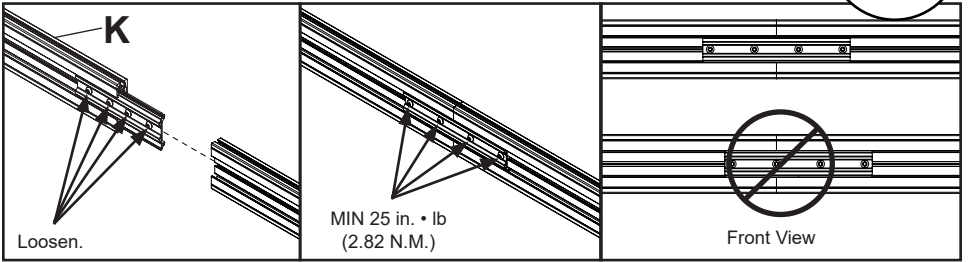
For displays narrower than 960mm, determine the required extrusion length with the following extrusion cut to length formula:

$$\text{Video Wall Width} - 0.25" (6\text{mm}) = \text{Extrusion Length}$$



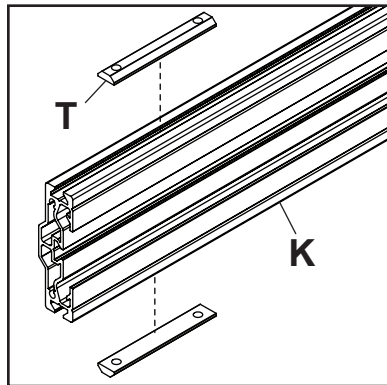
6-2

Connect two horizontal extrusions using connector plate.



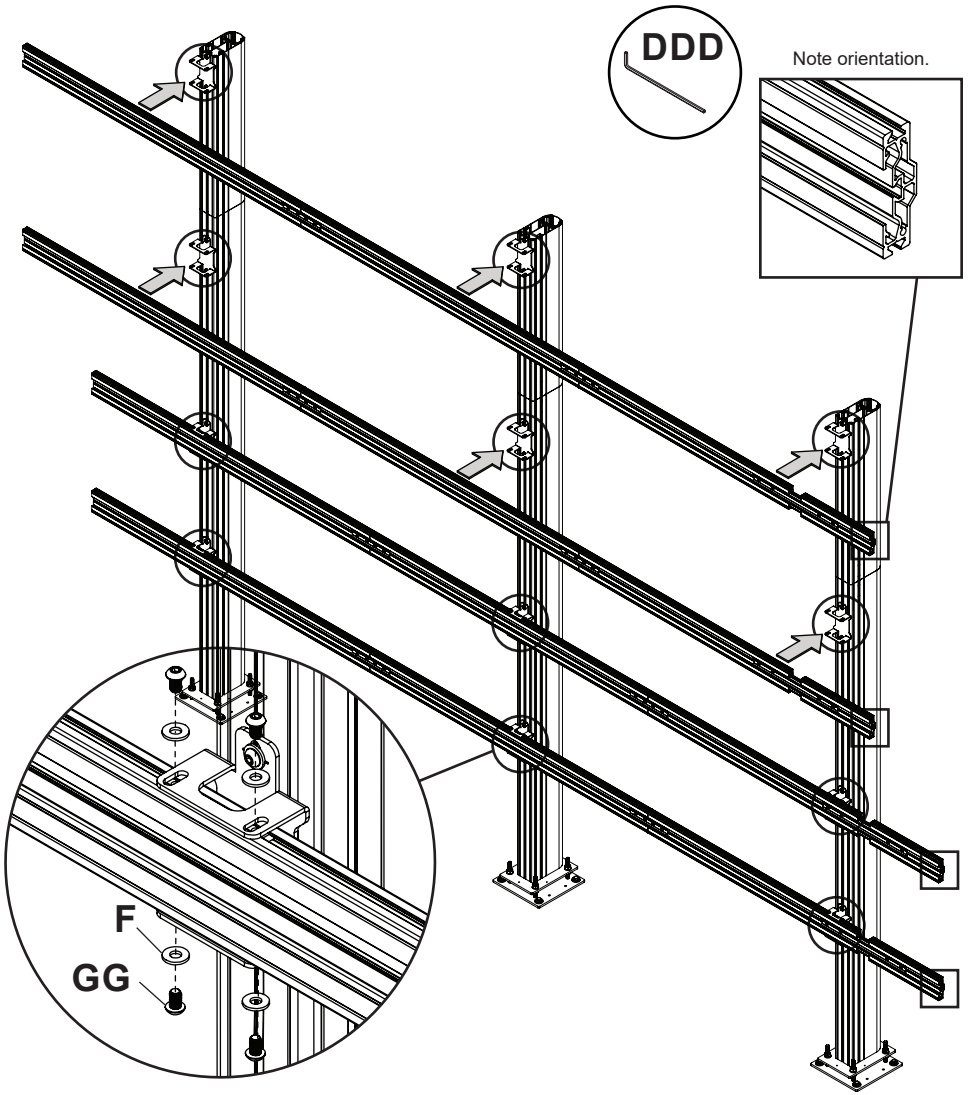
6-3

Drop nut bars into top and bottom channels of horizontal extrusions.



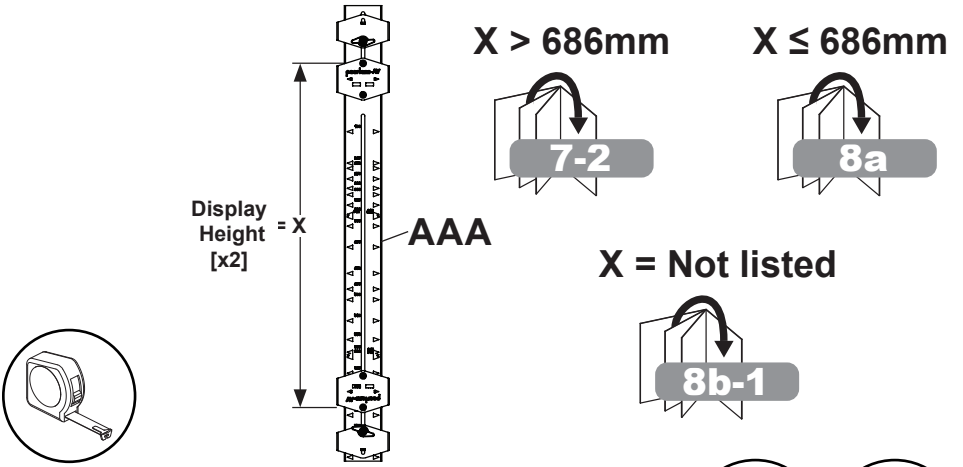
6-4

Position horizontal extrusions into the openings of the attachment brackets. Align nut bars inside the top and bottom channels of horizontal extrusion with holes of attachment brackets. Secure using hardware provided.



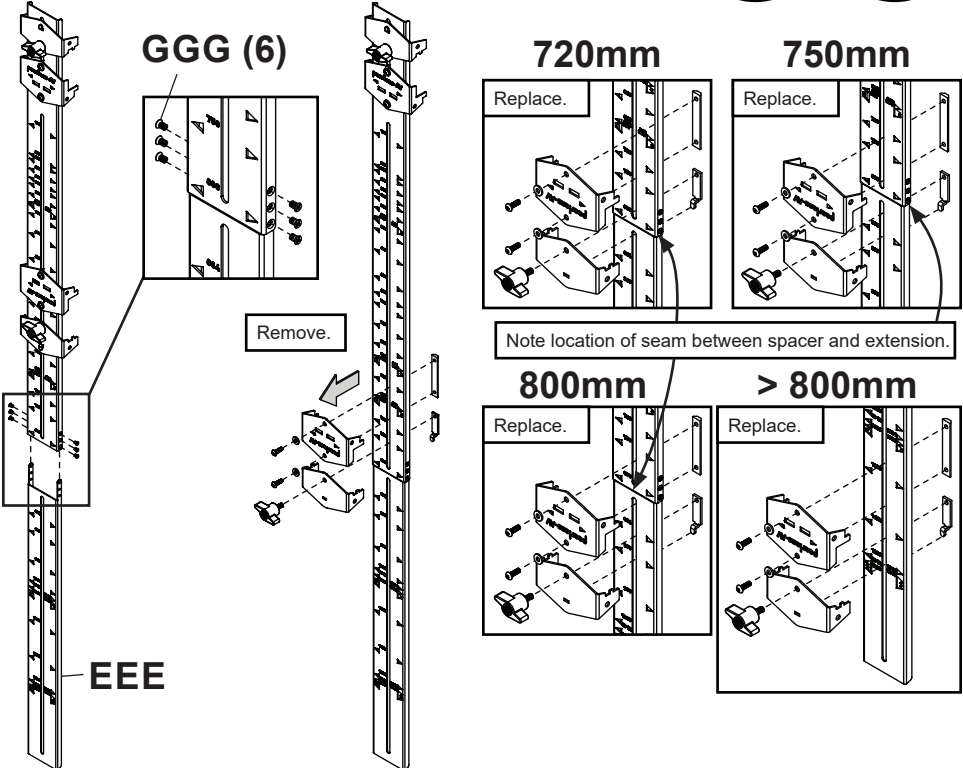
7-1

Determine the combined height of TWO displays being mounted and locate the same dimension on the front of spacer. If height is above 686mm, attach spacer extension. If height is not listed on the spacer, use measurement of the combined height of TWO displays to set custom spacing.



7-2

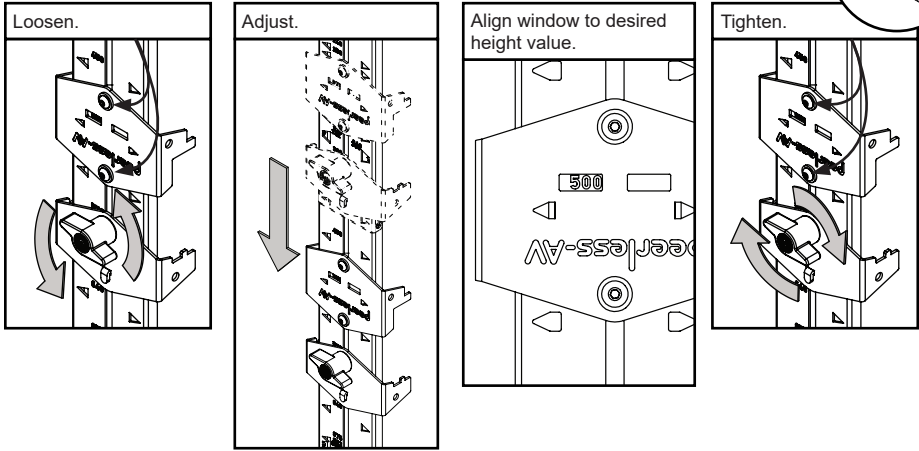
Add the extension when "X" measurement (step 7-1) is taller than 686mm. Detach lower fixed jaw and clamp bracket from main spacer assembly and reattach to the extension.



8a

Move spacer bracket and clamp to align window of spacer bracket with corresponding height value (measurement "X", step 7-1).

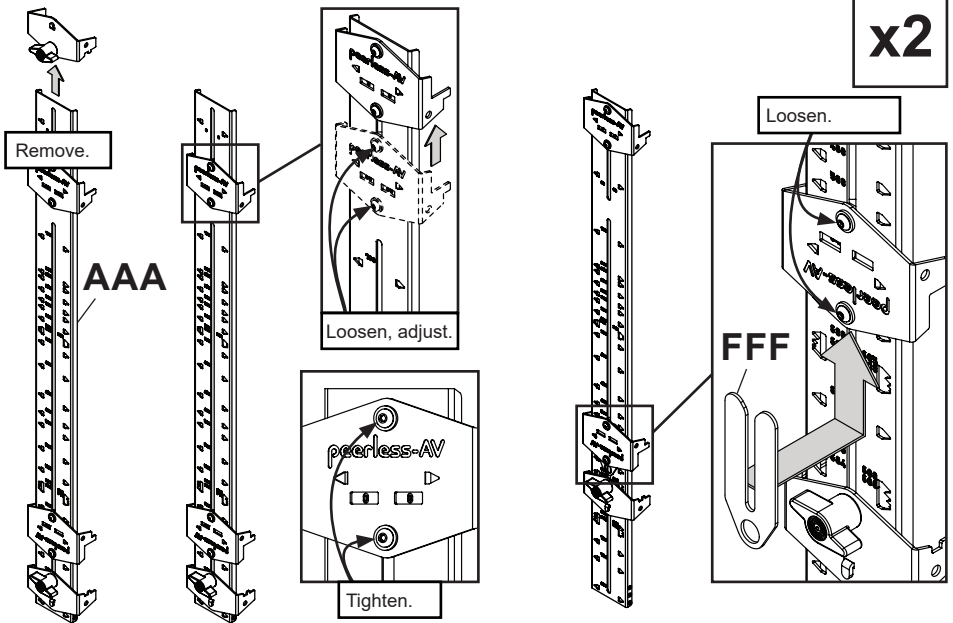
DDD



8b-1

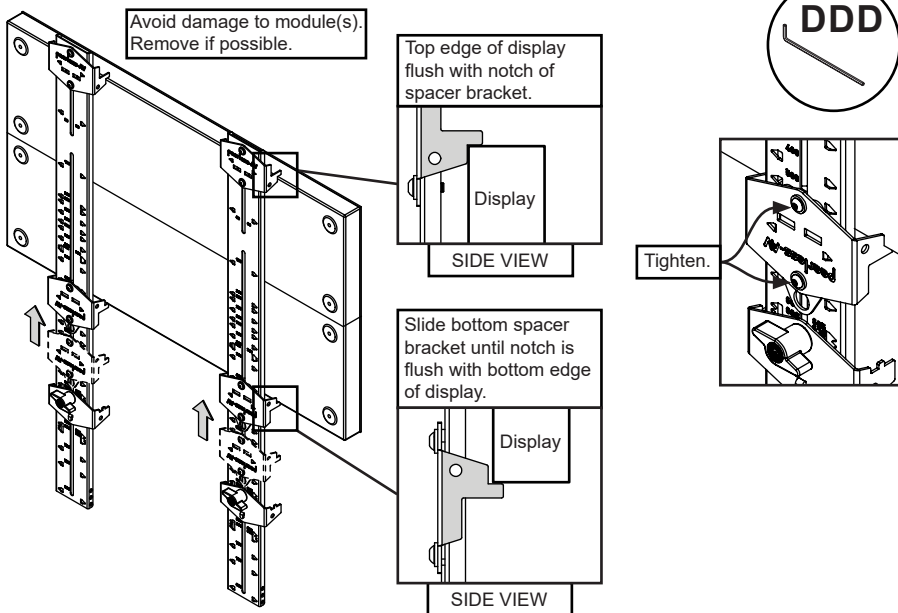
If the combined height of TWO displays is not listed on the spacer, measure them to set custom spacing. Remove top spacer clamp. Move upper spacer bracket to the zero position. Loosen lower spacer bracket to insert shim plate underneath to allow spacer bracket to slide freely.

DDD



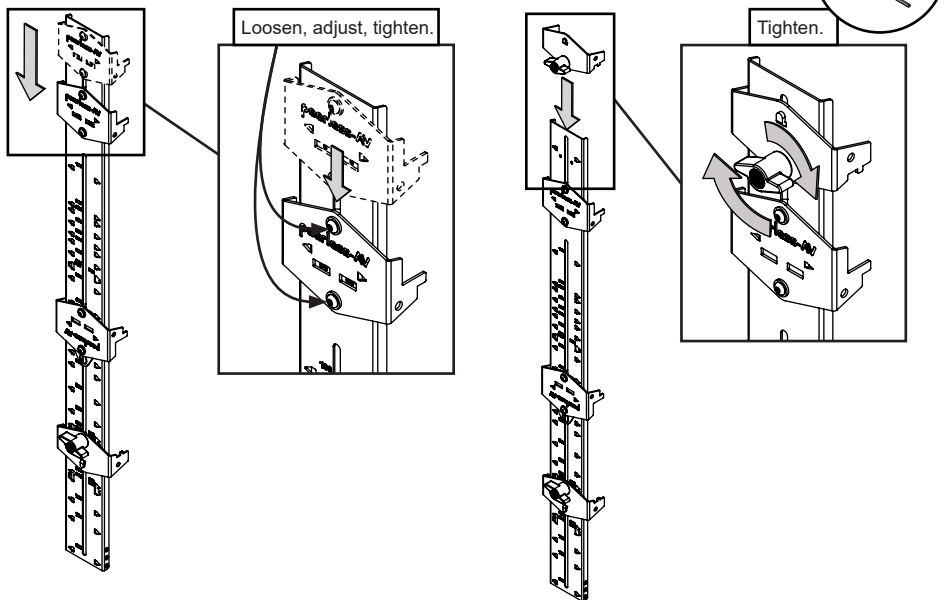
8b-2

With spacer brackets positioned wide enough to fit two displays inside, position notch of top spacer bracket flush with top edge of display. Slide the bottom spacer bracket to the bottom edge of display. Tighten screws of bottom spacer bracket.



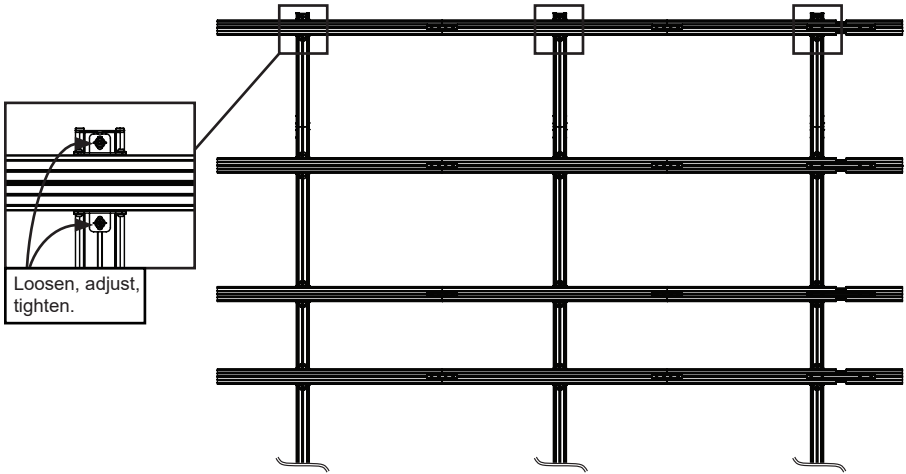
8b-3

Remove display. Return top spacer bracket to the 80mm position. Replace top clamp onto assembly.



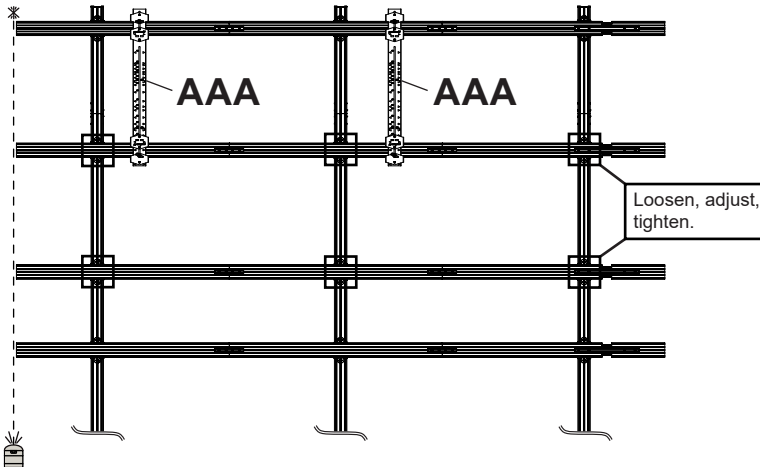
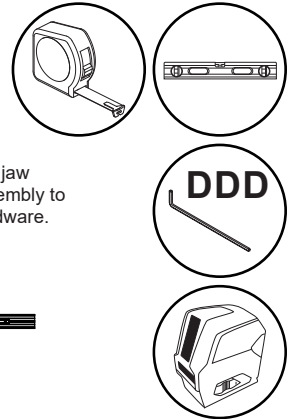
9-1

Refer to drawing specific to your model for measurements to locate top horizontal extrusion's height. The top of attachment bracket shall be flush with top of vertical upright. If a lower A.F.F. (Above Finished Floor) height is desired, adjust the height of the top horizontal extrusion as needed.



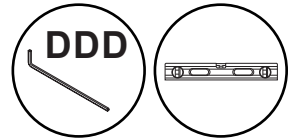
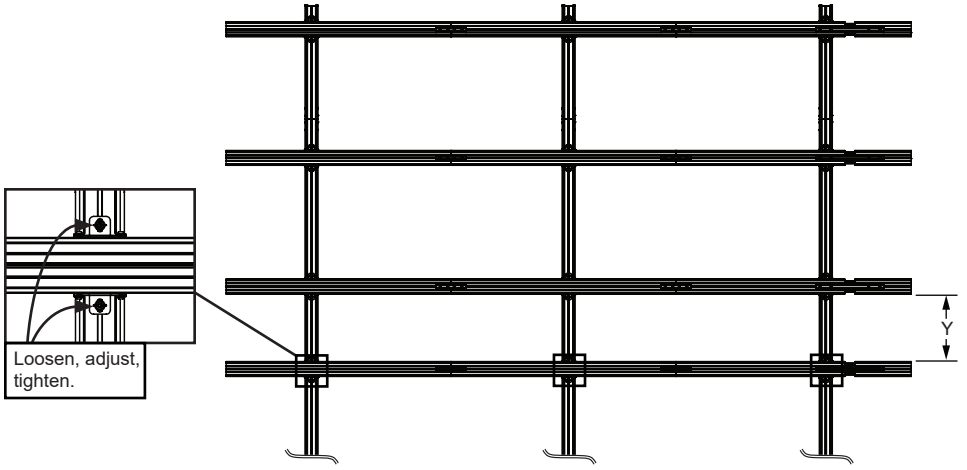
9-2

Adjust height of remaining extrusions using the spacers. Clamp the lower spacer jaw assembly to an unadjusted extrusion assembly. Clamp the upper spacer jaw assembly to extrusion previously installed. Vertically align extrusions with a laser. Tighten hardware.



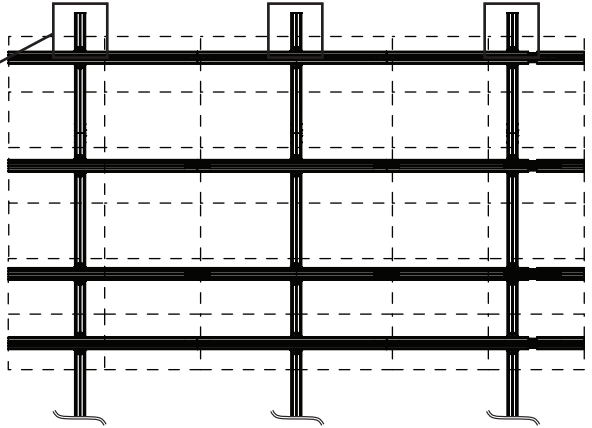
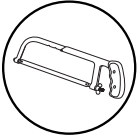
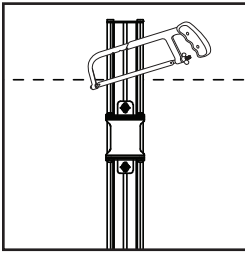
9-3

Refer to configuration drawing specific to your model to locate height of bottom horizontal extrusion.
Y = Bottom of horizontal extrusion second from the bottom to the top of bottom horizontal extrusion.



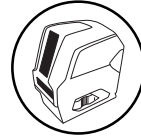
10

Optional: If uprights would be visible above the video wall, uprights may be cut as needed.

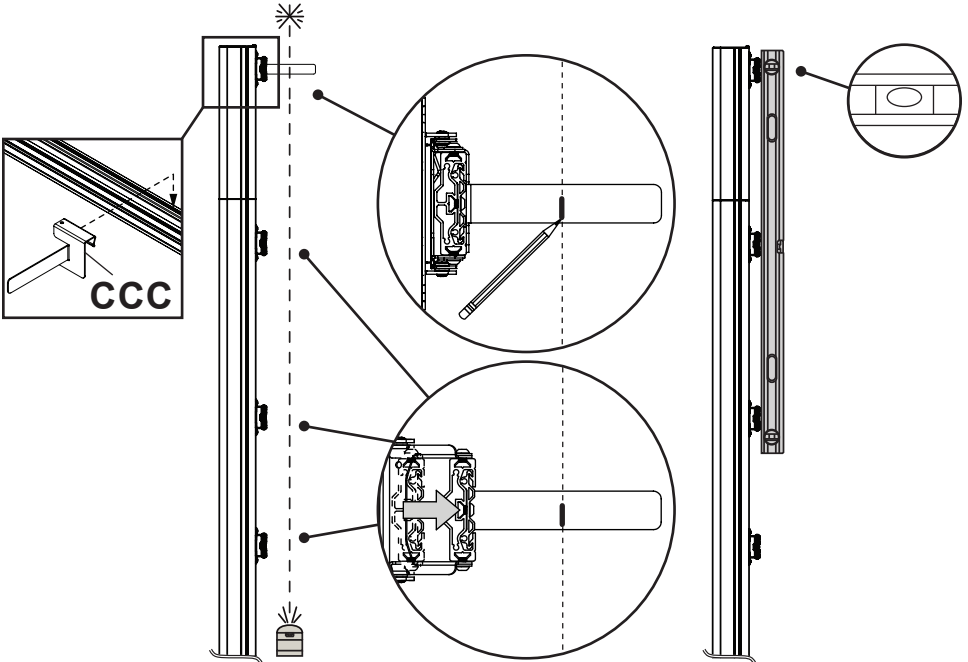


11

Set laser level so that it is parallel to the mount. With the horizontal extrusion set all the way back, measure from face of the extrusion to laser, in various locations. Mount laser target at the attachment bracket location that is near the mount's high point, determined by the shortest distance from the extrusion to the laser. Adjust extrusion out slightly, tighten adjustment screws and mark laser line on the target. Move target to a location near the next attachment bracket, adjusting depth until the laser is on the line, tightening the screws as you go. Continue until all attachment brackets are adjusted.

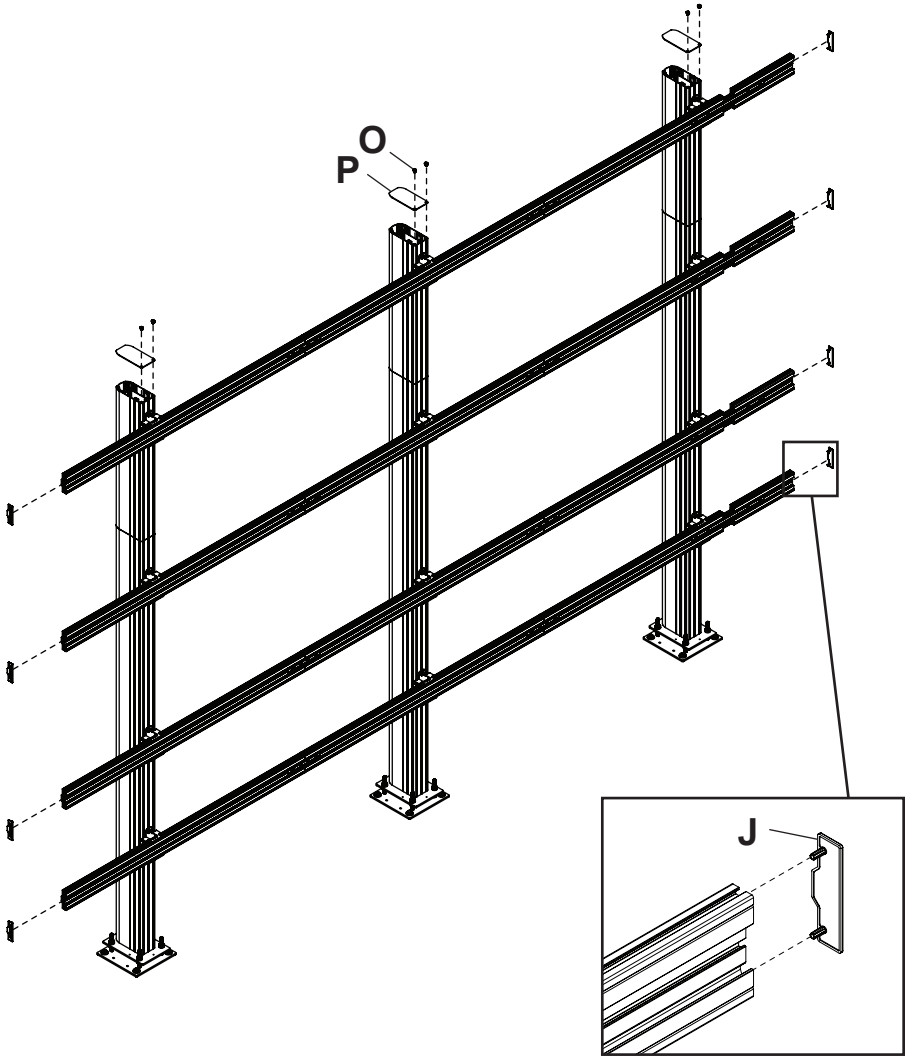


Double check using a straight edge to span three extrusions. Adjust low and high spots as needed.



12

Install column covers and extrusion end caps.

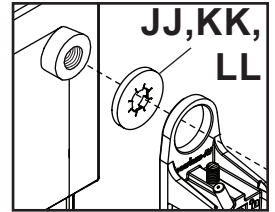
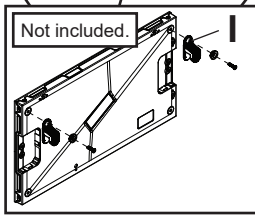
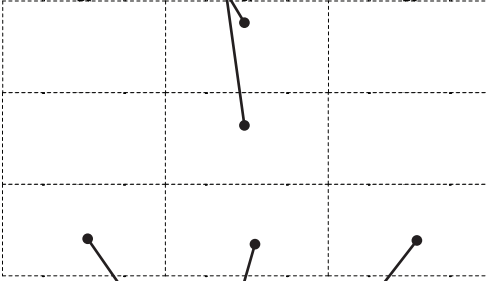
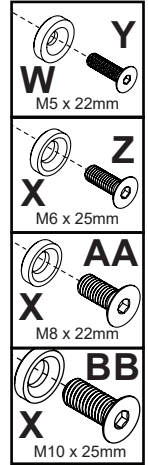
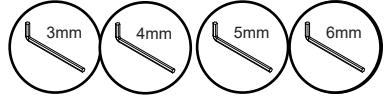
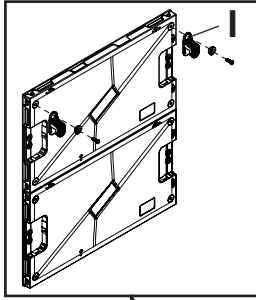


13a

ODD
Number of Rows



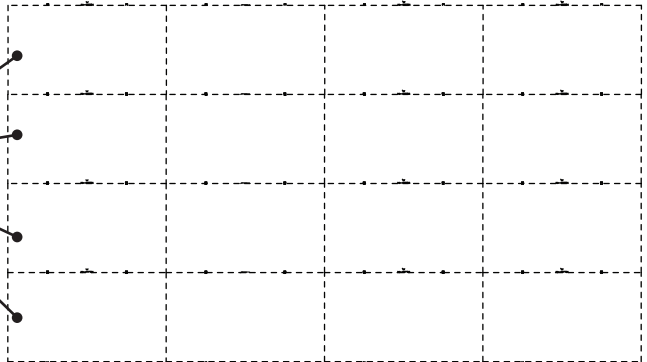
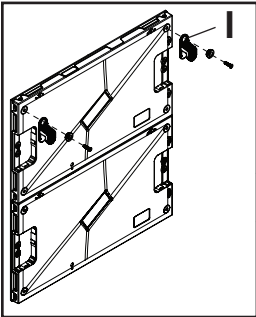
If mounting hardware is preinstalled, remove and replace with hardware provided.



If display has raised mounting points, use boss washers as shown.

13b

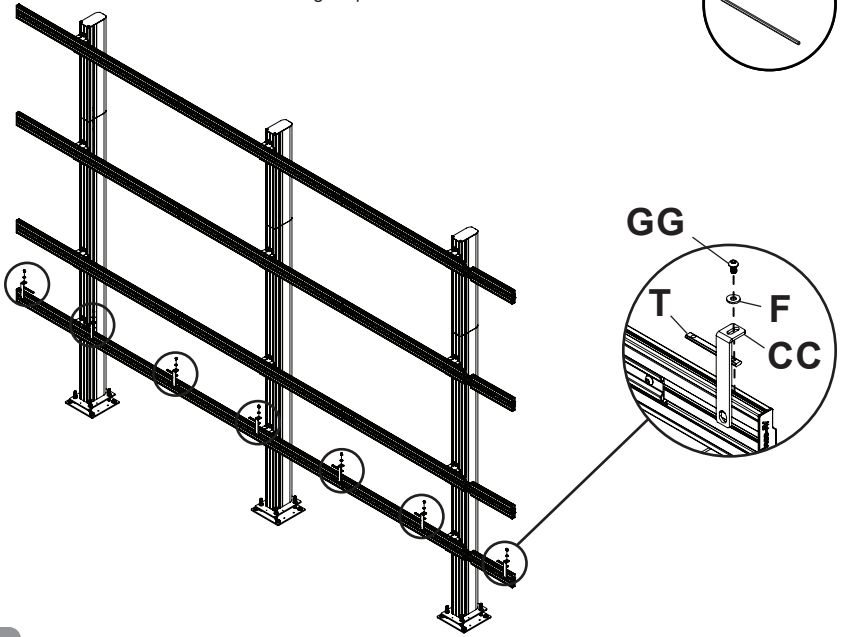
EVEN
Number of Rows



Join two cabinets together vertically using connecting system. Two displays attached together are then mounted onto extrusion as one.

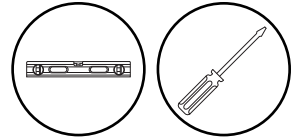
14-1

Install stand-off brackets to the bottom extrusion using drop-in nut bars as shown.

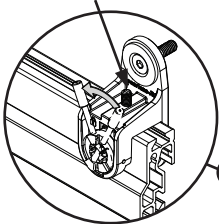


14-2

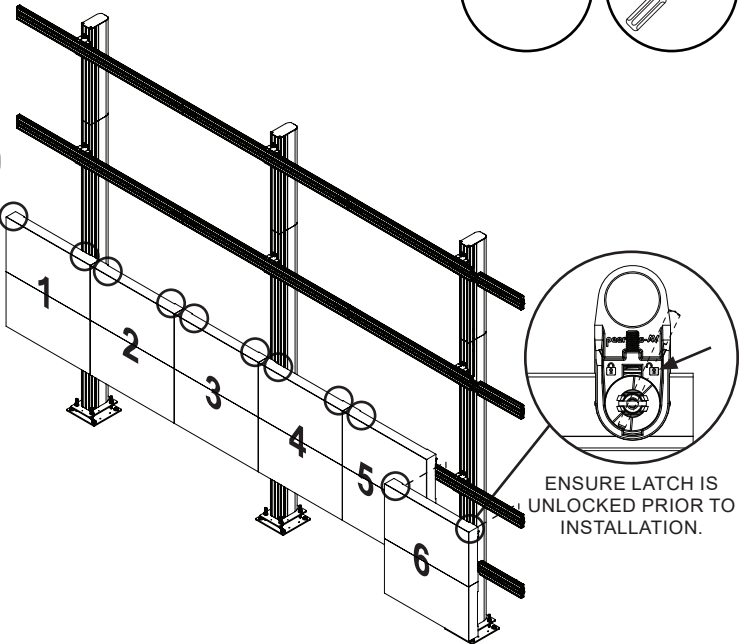
Hook display cabinets onto horizontal extrusion, adjust height to level and join cabinets together using display's connecting system. Close latch, then run cables one at a time starting from left to right.



HEIGHT ADJUSTMENT

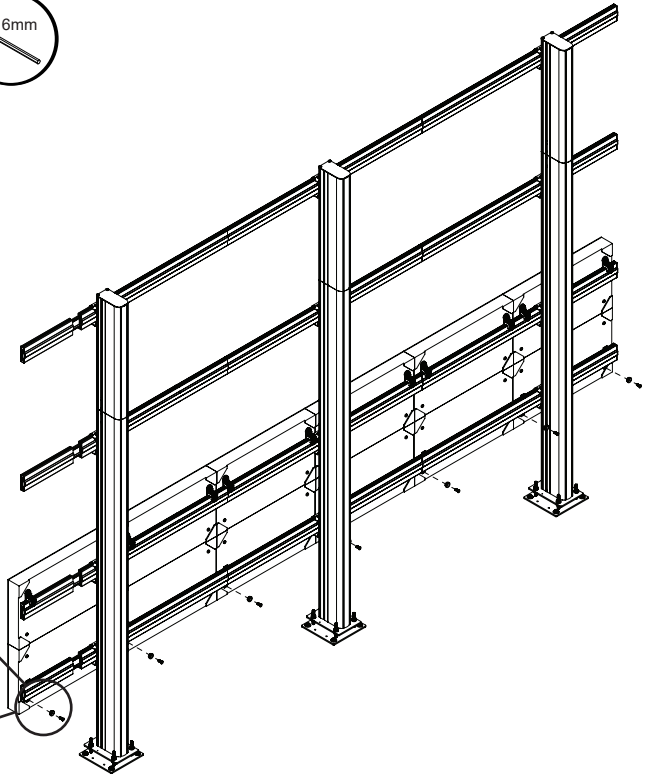
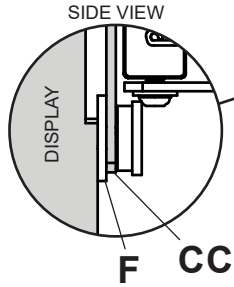
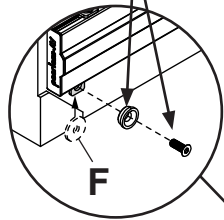
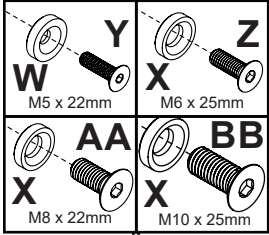
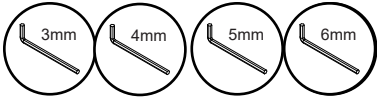


TURN LATCH LEVER
TO SECURE



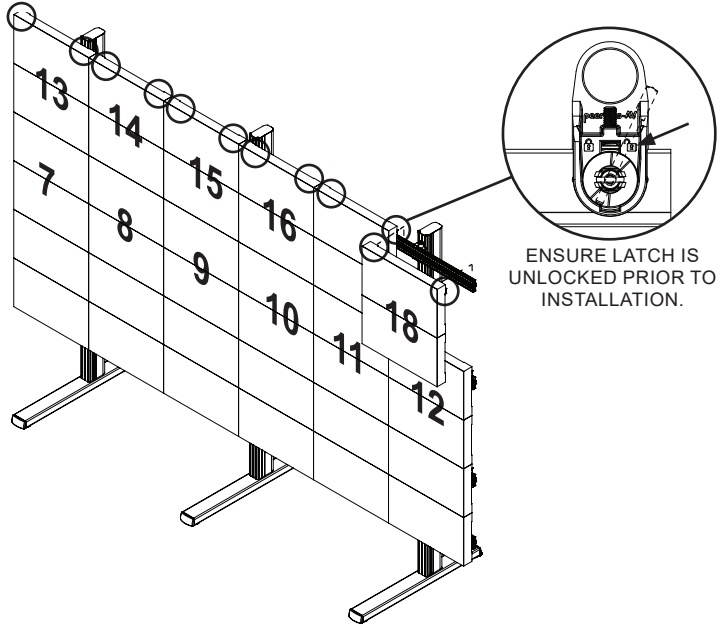
14-3

One stand-off bracket shall be located at every seam between two displays.
Secure stand-off brackets to the bottom mounting holes of the bottom row of displays.



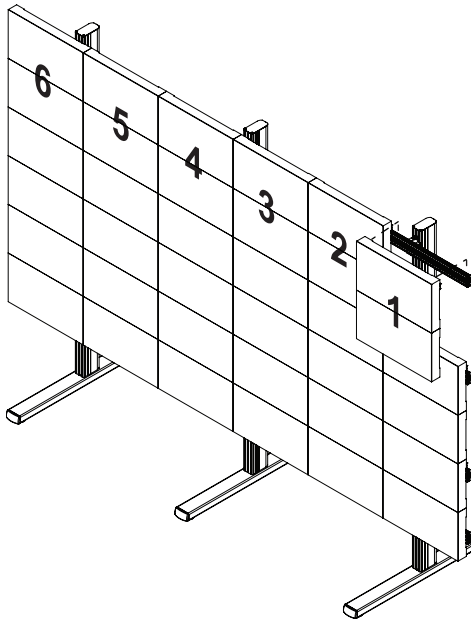
15

Hook display cabinets onto horizontal extrusion, adjust height to level and join cabinets together using display's connecting system. Close latch, then run cables one at a time starting from left to right.



16

To remove, start from the top right. Open latch assemblies, disconnect cables, separate cabinets and remove displays one at a time.



This page intentionally left blank.

This page intentionally left blank.

This page intentionally left blank.

ENG Warranty	ESP Garantía	FRN Garantie	DEU Garantie	NEL Garantie
ITL Garanzia	ČES Záruka	SLK Záruka	POR Garantia	TÜR Garanti

www.peerless-av.com/warranty • www.peerless-av.com • www.peerless-av.com/patents

peerless-AV[®]

Peerless-AV

2300 White Oak Circle
Aurora, IL 60502, USA
info@peerless-av.com

(800) 865-2112
(630) 375-5100

Peerless-AV EMEA

Unit 2, Curo Park
Frogmore, St. Albans,
Hertfordshire, AL2 2DD
United Kingdom

+44 (0) 1923 200 100

Peerless-AV B.V.

Papendorpseweg 75
3528 BJ Utrecht
The Netherlands

+31 (0) 70 770 8037

Peerless-AV Latin America

Av. de las Industrias 413
Parque Industrial Escobedo
General Escobedo N.L.,
México 66062

+52 (81) 8384-8300