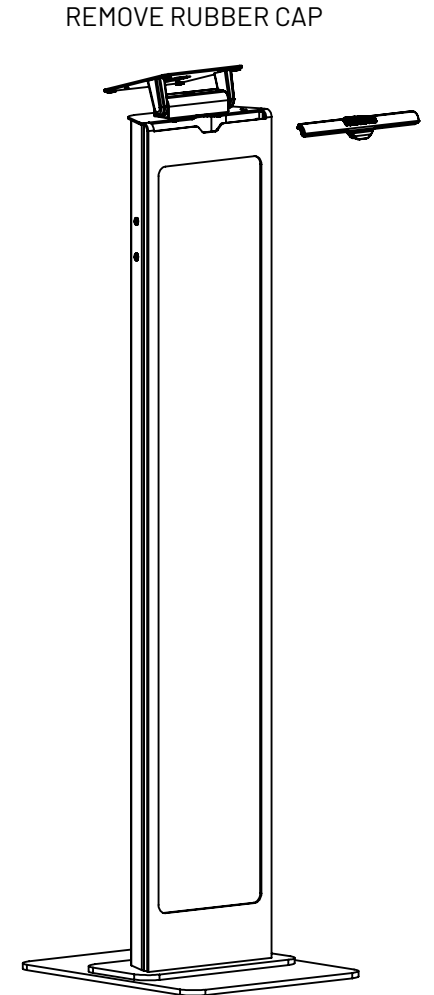
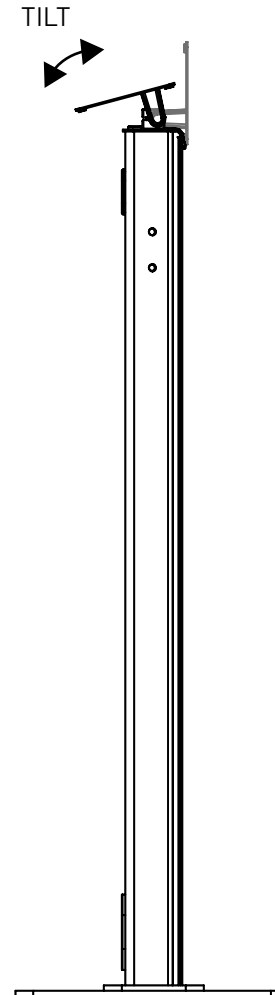
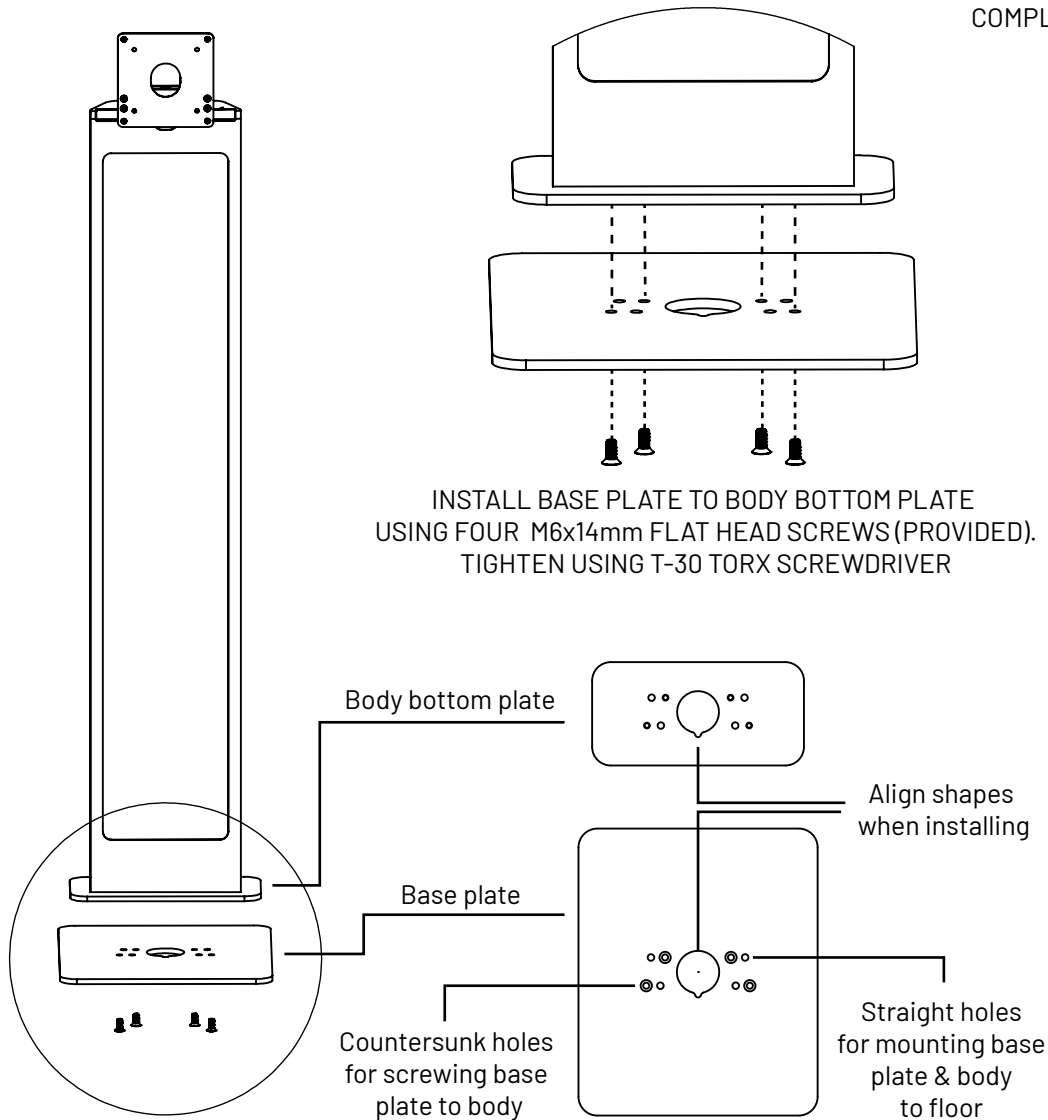


1 Floor Mounting Option - Freestanding

1A Floor Mounting Option - Bolt To Floor

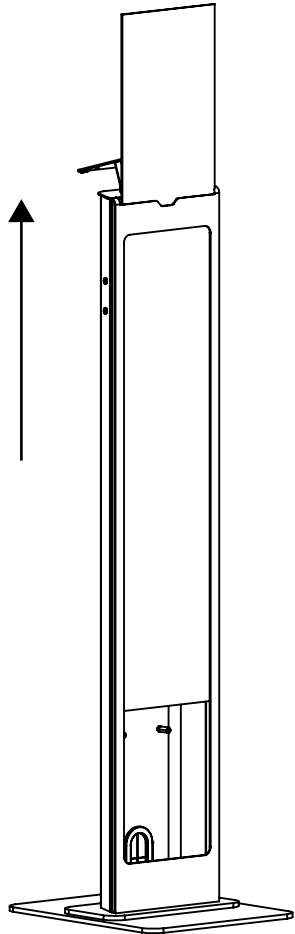
COMPLETE STEP 1



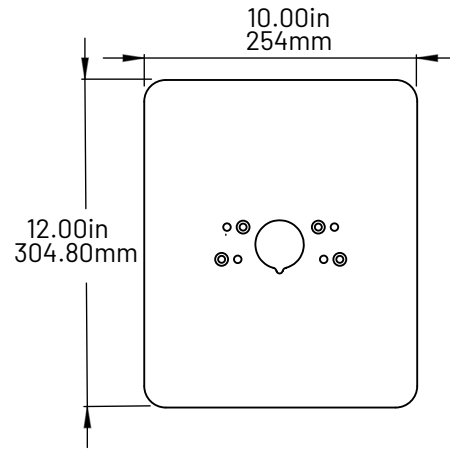
*NOTE: FLOOR STAND MUST BE TRANSPORTED WITHOUT THE STABILITY PLATE ATTACHED TO PREVENT DAMAGE.

1A - Continued

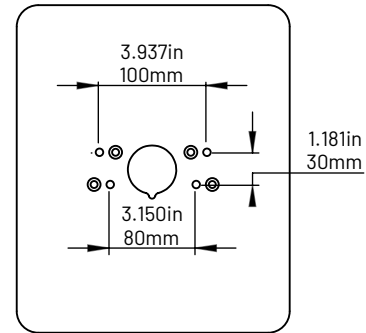
TAKE OUT COVER PANEL



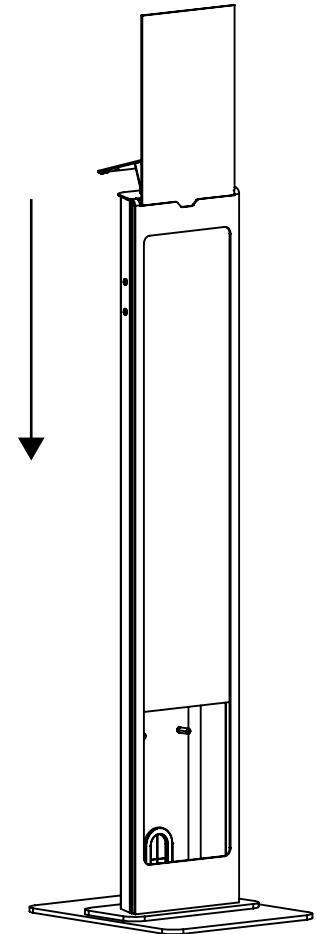
BOTTOM PLATE SIZE



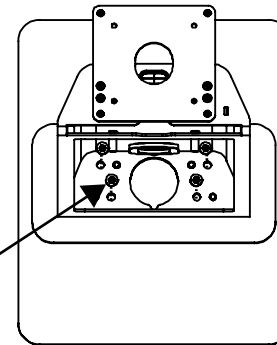
FLOOR MOUNTING PATTERN



PUT THE COVER PANEL BACK

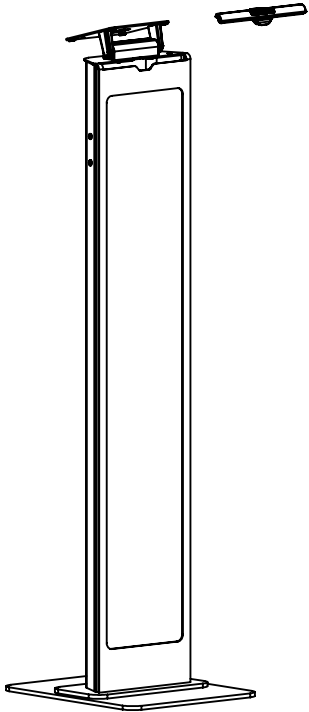


LOCATE SCREW HOLES IN BODY
BOTTOM PLATE
BOLT TO FLOOR USING
APPROPRIATE BOLTS
FOR FLOOR TYPE (NOT PROVIDED)

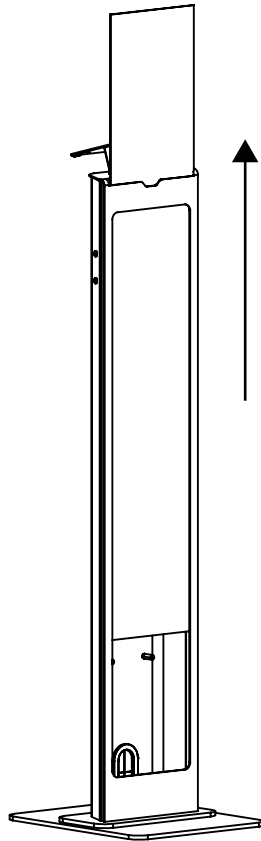


2 Cable Management Options

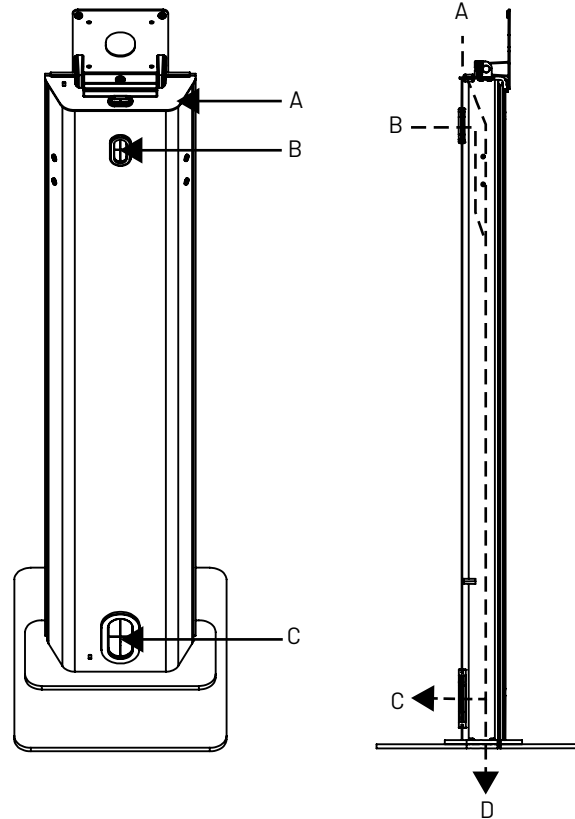
REMOVE RUBBER CAP



TAKE OUT COVER PANEL

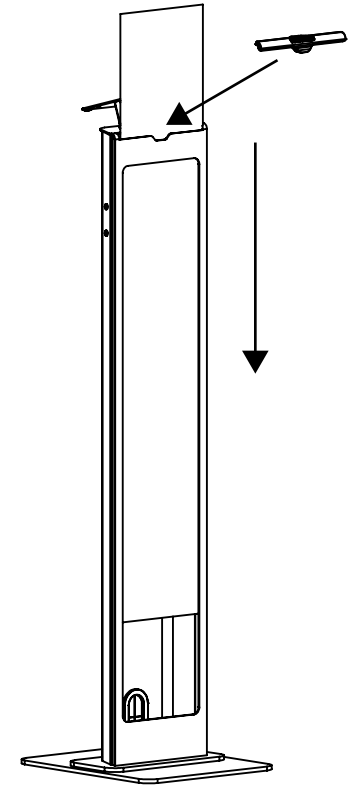


A - INLET IN TOP PLATE
B - INLET IN BACK PLATE
C - EXIT IN BACK PLATE
D - EXIT IN BASE PLATE



1. PUT THE COVER PANEL BACK
2. PUT BACK THE RUBBER CAP*

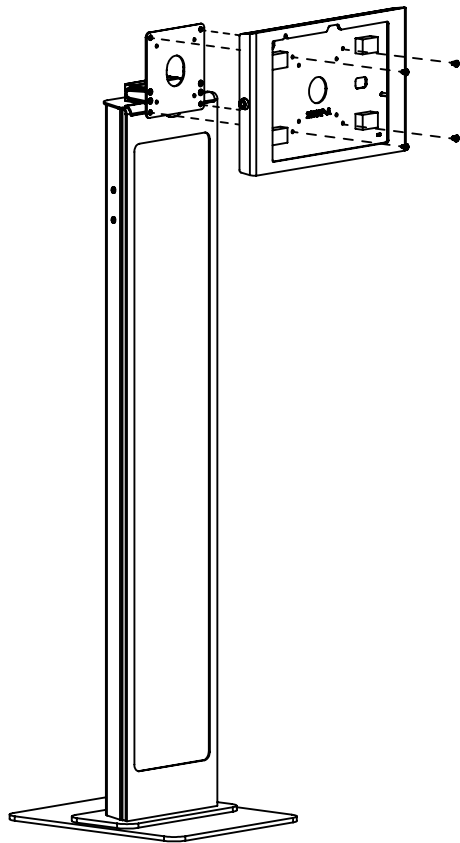
*for easier insertion of the rubber cap,
use a flat head screwdriver or simlliar
object to adjust the cap.



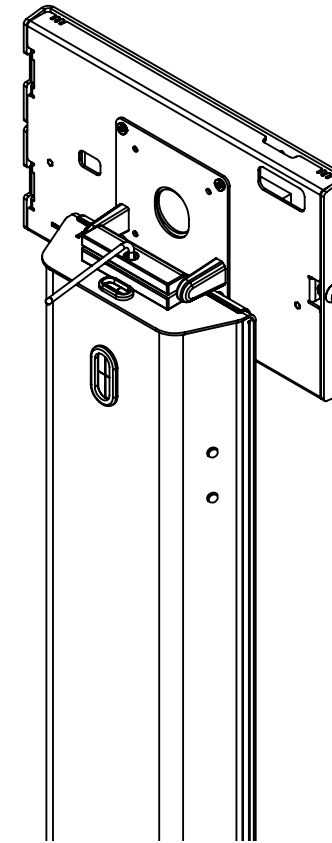
3A Install Device

3B

INSTALL YOUR TABLET ENCLOSURE
(OR VESA COMPATIBLE MOUNTING SOLUTION)
USING FOUR M4x8mm PHILLIPS PAN HEAD SCREWS (PROVIDED)

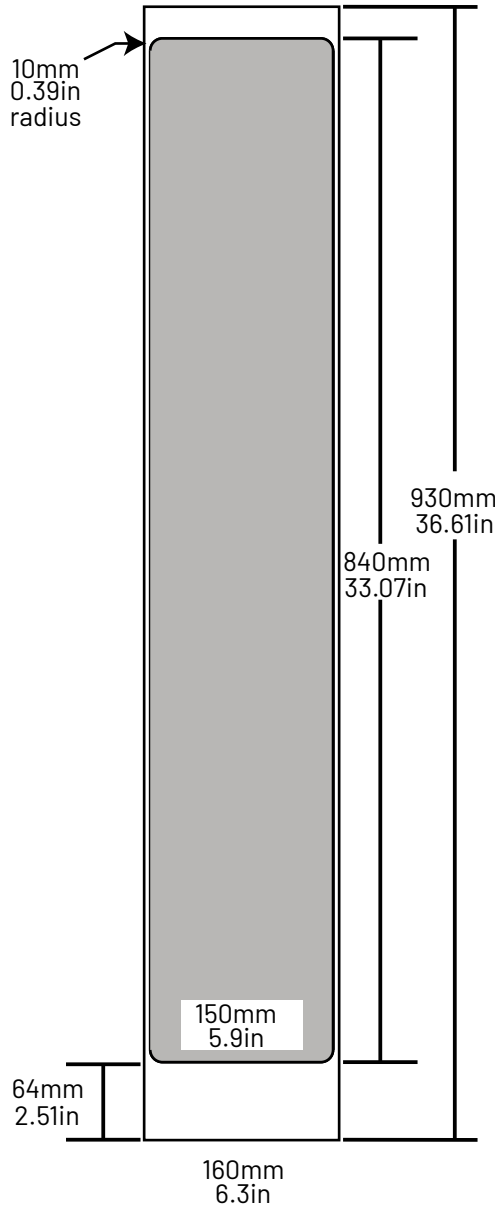


ADJUST TILT RESISTANCE BY
TIGHTENING THE SCREW LOCATED
ON THE HINGE ASSEMBLY



Graphic Panel Specifications

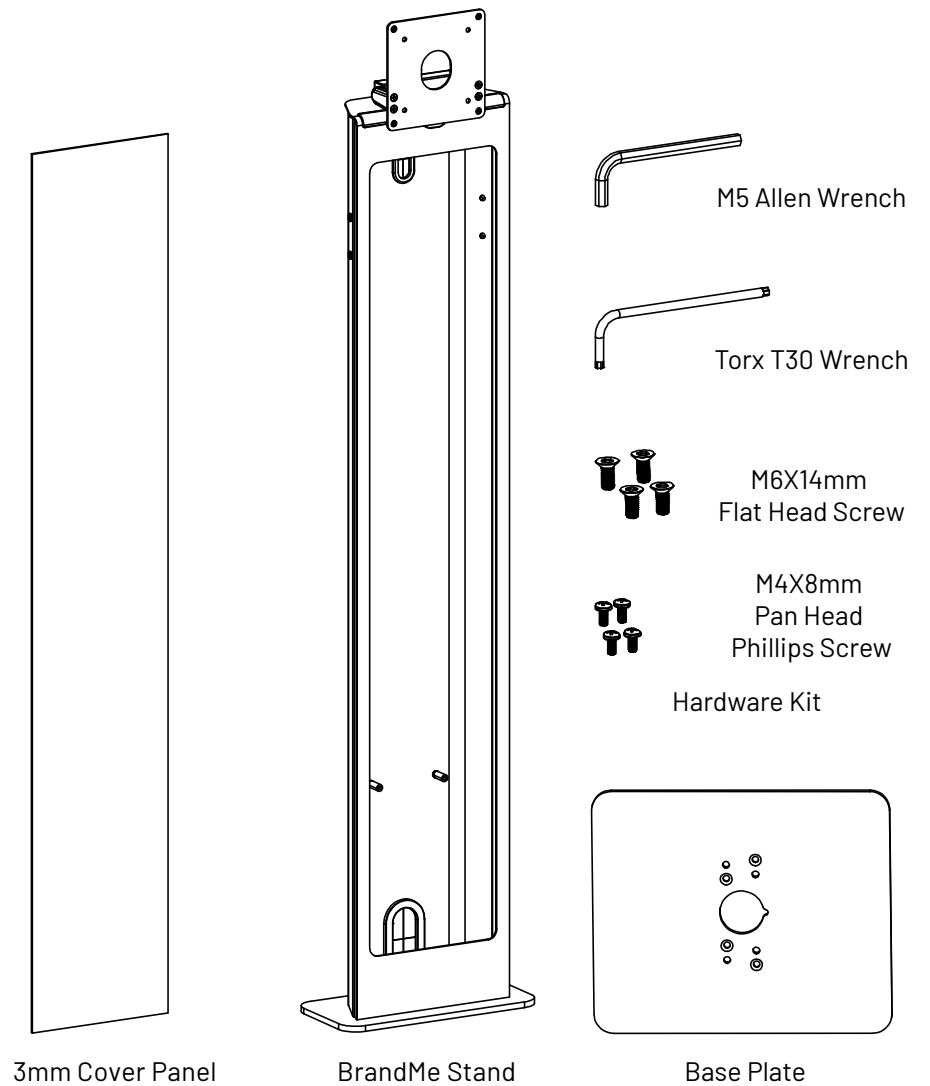
In The Box



panel information:
 Graphics panel thickness
 5mm ±5% max
 .02in±5% max

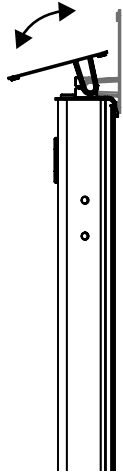
Panel material examples:
 Backlit: clear acrylic/polycarbonate*
 Standard: foam board, foamed PVC panel*

*examples only, consult chosen printing services for recommended material and print methods.



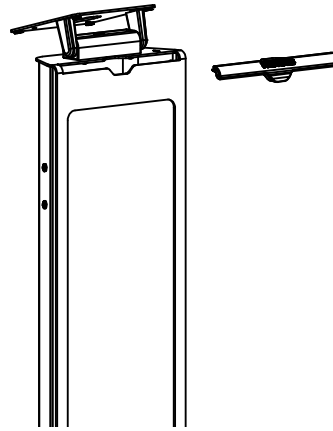
1

TILT VESA MOUNTING PLATE



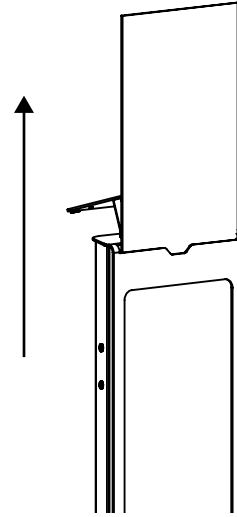
2

REMOVE RUBBER CAP



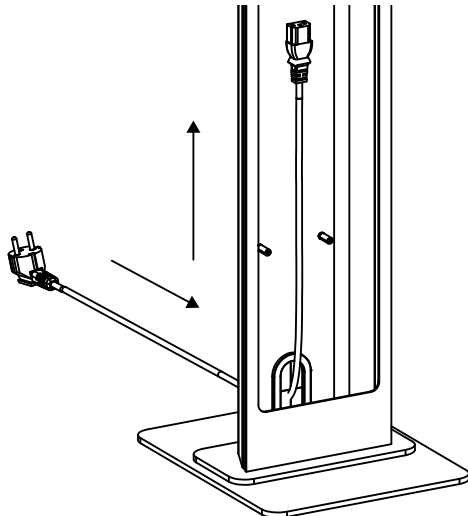
3

REMOVE COVER PANEL IF INSTALLED



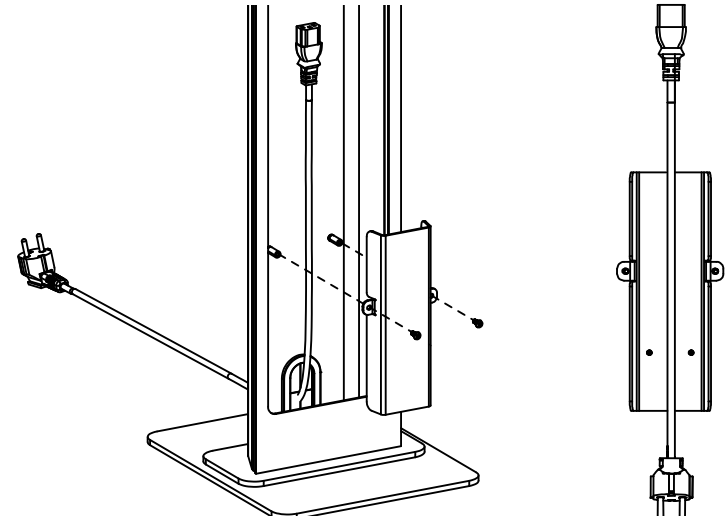
4

INSERT C13 PLUG CABLE THROUGH BACK EXIT AND BETWEEN STUDS



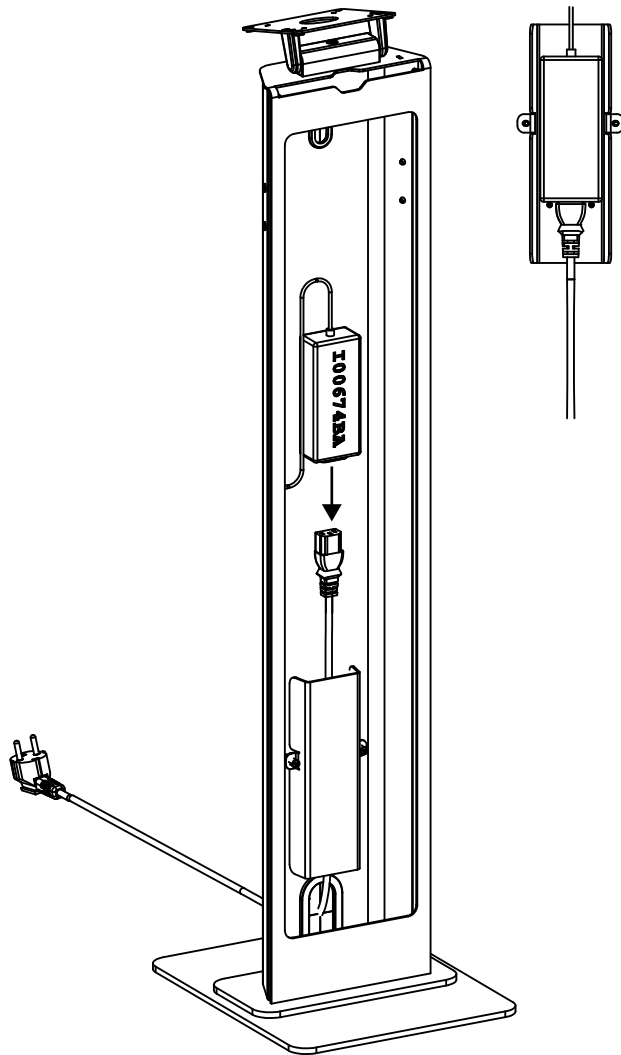
5

ASSEMBLE COVER PLATE USING SCREWS (PROVIDED) AND ENSURE STUDS ARE ON THE BOTTOM



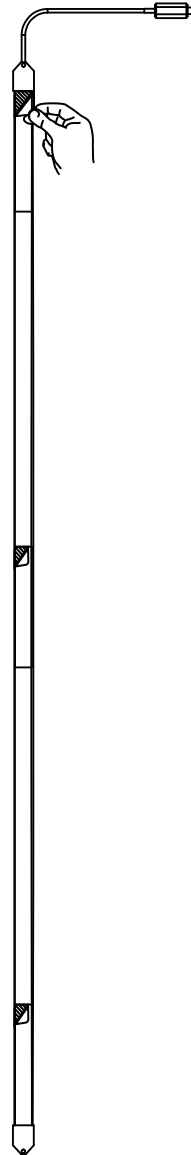
6

CONNECT POWER CABLE TO ADAPTER
AND SLIDE BEHIND THE COVER PLATE



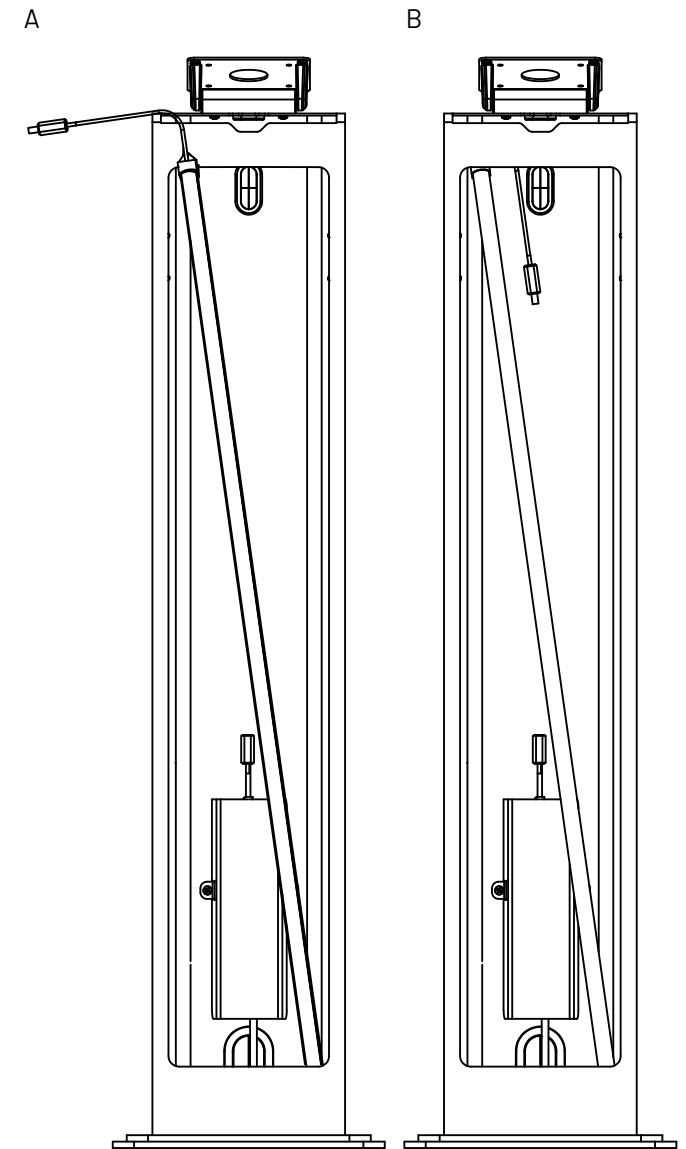
7

REMOVE STICKER COVERS FROM LIGHT STRIP



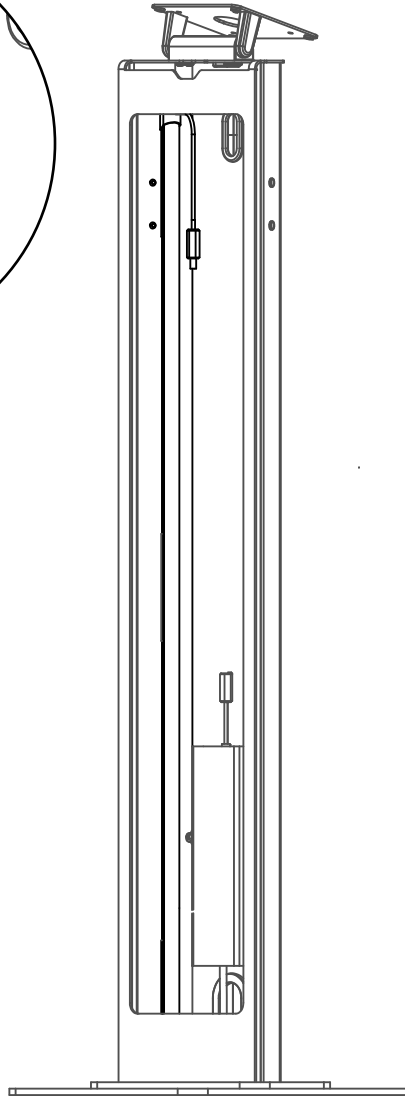
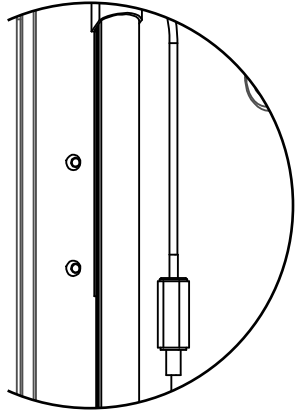
8

INSERT LIGHT STRIP DIAGONALLY
FROM THE BOTTOM CORNER



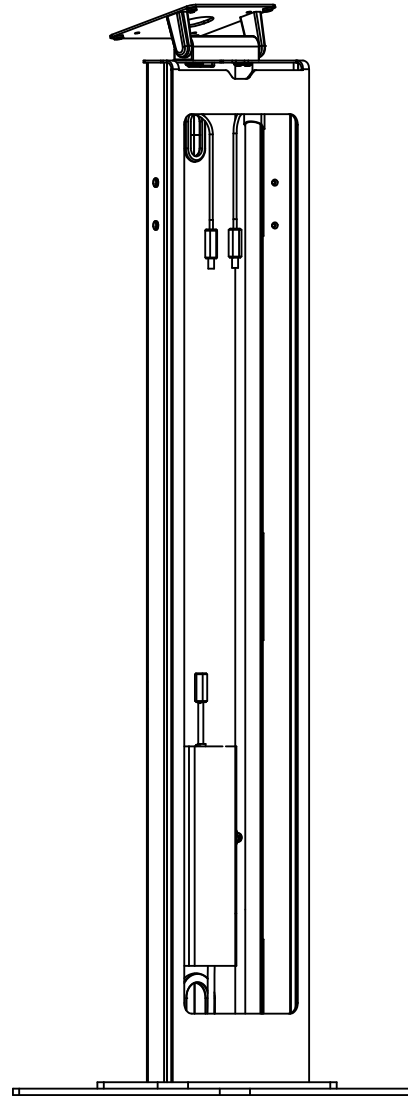
9

MOVE LIGHT STRIP TO UPRIGHT POSITION AND STICK TO BACK PANEL - LEAVE 3mm SPACE FROM SCREWS



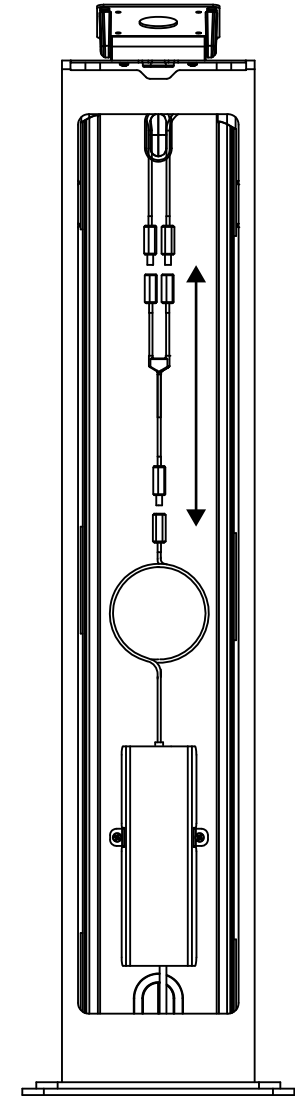
10

REPEAT STEPS 7-9 WITH SECOND LIGHT STRIP



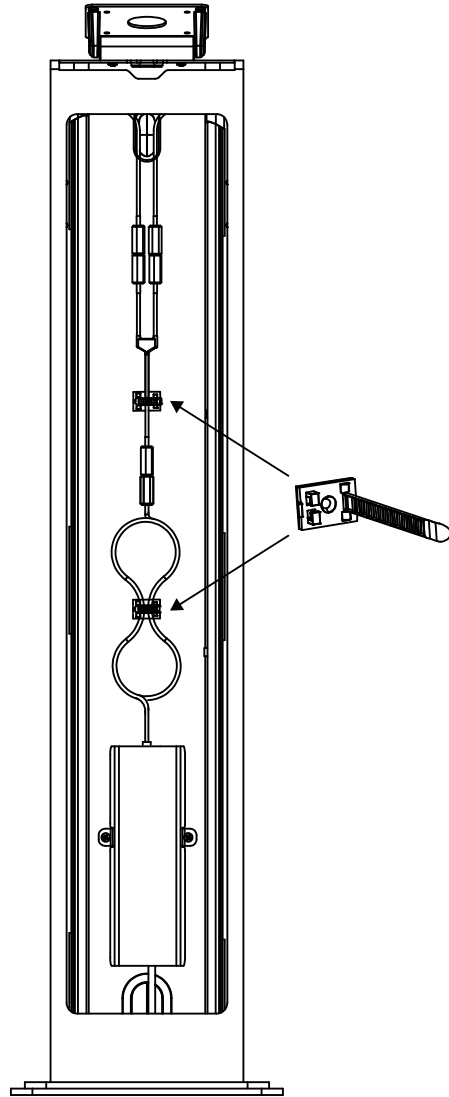
11

CONNECT Y CABLE TO POWER ADAPTER AND THEN TO BOTH LIGHT STRIPS



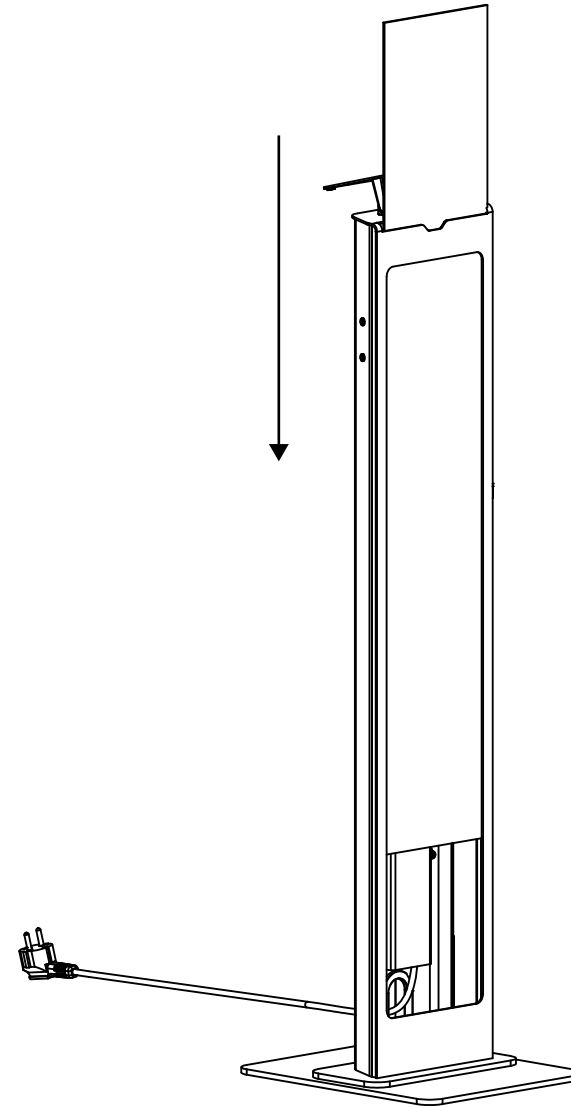
12

STICK CABLE TIES (PROVIDED) TO BACK OF STAND
AND FASTEN TO HOLD AND ORGANIZE CABLE

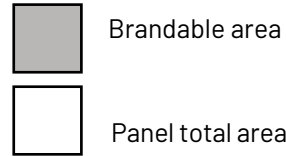
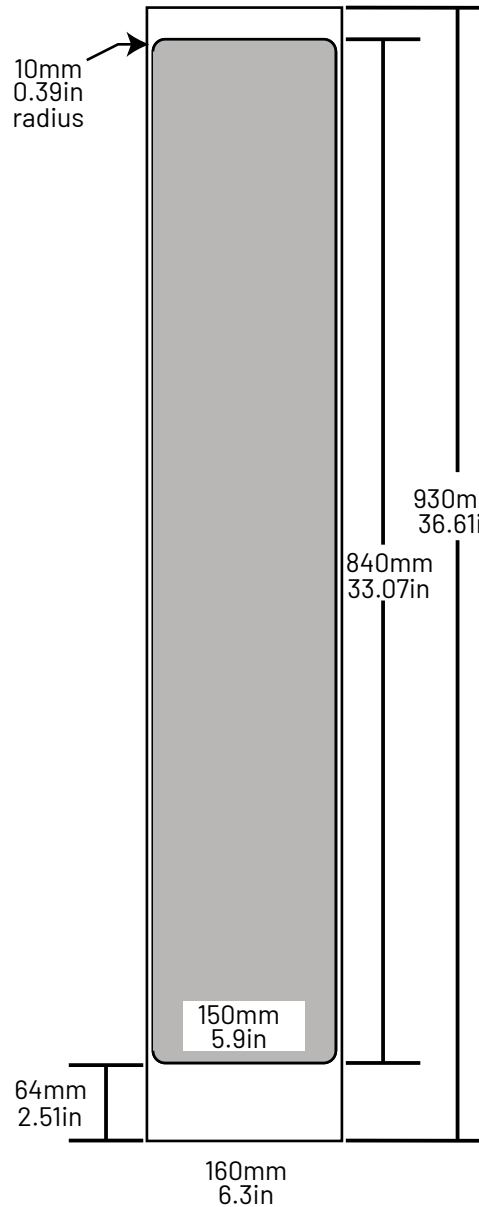


13

INSTALL TRANSLUCENT PANEL
AND THEN REPLACE RUBBER CAP



Graphic Panel Specifications



panel information:
Graphics panel thickness
5mm ±5% max
.02in±5% max

For Custom Printed Panel:
Backlit: clear acrylic/polycarbonate*

*examples only, consult chosen
printing services for recommended
material and print methods.

In The Box

