

Use & Care Guide

Kenmore[®]

Digital Pedestal Fan

Model: KM-60035-WH

Customer Support
support@kenmorehomecomfort.com
www.kenmorehomecomfort.com



Table of Contents

Before Using Your New Fan	2
Important Safety Instructions	2-3
California Proposition 65.....	3
Specifications	3
Parts and Features	4
Assembly	4
Operating Instructions	5
Fuse Replacement	6
Cleaning and Storage	6
Disposal and Environmental Protection	6
Limited Warranty	7

Before Using Your New Fan

The following instructions are essential for proper assembly and operation. Please keep these instructions for future reference. Always refer to the technical data on the product, subject to technical alterations.

Please read the instructions carefully.

Important Safety Instructions



WARNING: To reduce the risk of fire, electrical shock, injury to persons, or damage when using this fan, follow basic safety precautions including the following:

- **WARNING:** Please read the following instructions for safety before use. Improper use may result in fire, property damage, personal injury, or death. **DO NOT** use the product with incompatible or damaged components or alter the product in any way. Make sure to use the fan according to the following safety instructions and guidelines.
- Use the fan only as described in this guide.
- This fan is for indoor household use only.
- This fan is not intended for use by persons (including children) with reduced physical, sensory, or mental capabilities, or lack of experience and knowledge unless they have been given supervision or instruction concerning the use of the appliance by a person responsible for their safety.
- If used near children and/or pets, close supervision is necessary.
- Never leave the fan unattended while it is in use. Always turn the fan to the OFF position and unplug it from the electrical outlet when not in use.
- Do not unplug by pulling on cord. To unplug, grasp the plug, not the cord.
- Connect the fan to a single phase AC supply of the voltage specified on the rating plate.
- Do not locate the fan immediately below an electrical socket outlet.
- Do not run the cord under carpeting and do not cover the cord with throw rugs, runners, or similar objects. Place cord away from high traffic areas and where it will not be tripped over. Do not bend the cord or lay it on sharp edges.
- Do not use the fan with a damaged cord or plug, or after the fan malfunctions, has been dropped, or damaged in any manner.
- If the supply cord is damaged, it must be replaced by the manufacturer or its service agent, or a similarly qualified person to avoid a hazard.
- Avoid the use of an extension cord as this may overheat and cause a risk of fire.
- Be sure that no other appliances are in use on the same electrical circuit as your fan, as an overload can occur.
- The cord should not be placed near a hot surface of any appliance.
- Do not wrap the cord around the fan immediately after use.
- Use the fan on flat, dry surfaces only.
- Do not use this fan in the immediate surroundings of a bath, a shower, or a swimming pool. Never locate the fan where it may fall or be knocked into a bathtub, standing water, or other water container. Do not use in extremely humid or rainy conditions.
- Do not immerse any part of the fan in water.
- Do not allow the interior to get wet as this could create a hazard.
- Do not use any cleaning chemicals such as detergents and abrasives.

Important Safety Instructions, con't

- Do not put any object into any ventilation or exhaust opening of fan. Do not cover or hang items from the safety grill.
- Do not touch the fan motor when in use. The motor is hot when in use. To avoid burns, do not let bare skin touch hot surfaces.
- Do not operate fan with a broken blade, safety cage, or any visual imperfections.
- Take care that long hair, clothes, or jewelry are not sucked into the fan due to air flow.
- Do not put fingers, other body parts, or objects, especially metal objects in the safety grill.
- Do not place this fan near open fire and hot surfaces.
- Do not use the fan if any parts are damaged, have gaps, or cracks.
- Return fan and any damaged parts under a warranty repair, if applicable. Contact kenmorehomecomfort.com for more information. Replacing parts, accidents, or damages occurring to external accessories void the warranty.
- Do not use the fan in any areas where gasoline, paint, or other flammable liquids are stored, e.g. garages or workshops, as there can be hot, arcing, or sparking parts inside the fan.

California Proposition 65



WARNING

The use of this appliance can expose you to chemicals, including lead and lead compounds, which are known to the State of California to cause cancer and birth defects or other reproductive harm. For more information go to www.P65Warnings.ca.gov.

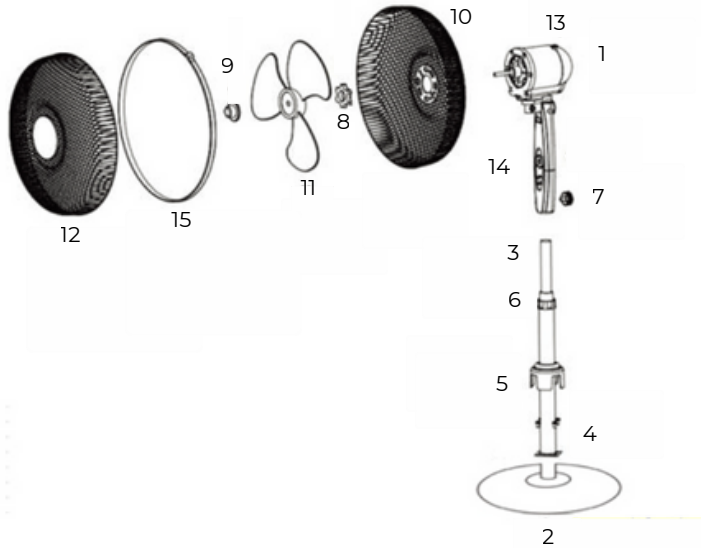
El uso de este electrodoméstico puede exponerte a productos químicos, incluidos el plomo y compuestos de plomo, que según el Estado de California son conocidos por causar cáncer y defectos de nacimiento u otros daños reproductivos. Para obtener más información, visita www.P65Warnings.ca.gov.

L'utilisation de cet appareil peut vous exposer à des produits chimiques, y compris du plomb et des composés de plomb, qui sont connus par l'État de Californie pour causer le cancer et des anomalies congénitales ou d'autres dommages reproductifs. Pour plus d'informations, rendez-vous sur www.P65Warnings.ca.gov.

Specifications

Product Description	Digital Pedestal Fan
Model Number	KM-60035-WH
Rated Voltage	120V
Rated Power	50W
Assembled Dimensions	17.7 x 19.7 x 49.2"

Parts and Features



1. Engine Housing
2. Base Component
3. Inner Tube Of Telescope
4. Outer Tube Of Telescope
5. Base Cover Overlay
6. Telescope Lock
7. Protective Screw
8. Mounting Nut
9. Propeller Lock
10. Rear Protection Grill
11. Fan Blade
12. Front Protection Grill
13. Oscillation Switch
14. Control Panel
15. Grill Tight Ring

Assembly



Choking Hazard!

Packing material is not a toy. Do not allow children or pets to play with the packing material. It is a choking hazard.

After opening the package, make sure that the box contains all the required elements

1. Assemble the telescope by turning the telescope lock (6) of the outer tube (4) clockwise and sliding the inner tube (3) out of the outer tube (4). Tighten the telescope lock by turning it counter-clockwise. Attach the base element (2) using the screw(s) provided with the fan base.
2. Place the base cover overlay (5) and pull out the upper inner tube (3). Tighten the telescope lock (6).
3. Attach the engine housing (1) to the top of the telescope (3). Make sure that the drive assembly is properly seated in the upper part of the telescopic tube and screwed on with the included screw.
4. Remove the mounting nut (8), put the rear protective grill (10) on the motor shaft. Secure the mounting nut (8).
5. Place the fan blade (11) on the motor shaft. Pay special attention to the correct alignment of the sleeve of the fan blade with the shaft pin. Secure the fan blade with the propeller lock (9).
6. Attach the front grill (12).
7. Connect the front and rear grill (12, 10) with the attached fixing strap. Connect the ends of the strap with the included screw.
8. Make sure all components are well fitted and the device is stable.

Operating Instructions



- While operating the fan for the first time, a slight odor might develop. This is harmless and not due to malfunctioning of the appliance. However, take care that there is proper ventilation.
- Do not operate the fan if any parts are damaged.
- Never operate the fan without the safety grill.
- Never use the fan before it is completely assembled to prevent injuries and damages.
- When adjusting the height, the telescopic tube with the motor unit and safety grill can slide down and cause injury. Hold tight when adjusting the height.

Power: After making sure that the power supply is compatible with the voltage specified on the device, plug the device in to a properly installed electrical outlet.

Adjust fan head: The fan head is adjustable. It can be directed up or down by slightly raising or pressing the cover of the engine cover to direct the air stream to the desired direction.

Control panel/remote control: The device is controlled by the control panel or the remote control (2 AAA batteries not included), interchangeably.

Fan speed settings: Press the speed button. Each time you press the button, the speed will change: Low: low speed, Mid: medium speed, High: high speed, Off: turn off

Oscillation: Press oscillation switch (13) on the motor unit for oscillation. Pull out the button to stop the oscillation function.

Timer settings: (Image 2)

The timer function allows you to set the planned time of the fan operation. After switching on the device, press the TIMER button. The corresponding LED on the display panel will light up. Pressing the TIMER button again will allow you to set the desired operating time of the device in accordance with the diagram below. It is possible to set the fan operation time from 1h to 7h in hourly intervals.

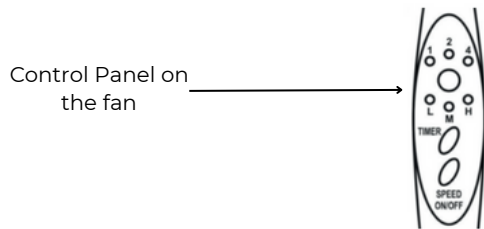


Image 2

LED		1	2	1+2	4	1+4	2+4	1+2+4	LED Light not on
Hours		1 h	2 h	3 h	4 h	5 h	6 h	7 h	Timer turned off

We recommend unplugging the fan from the power supply in the event of a long break in use.

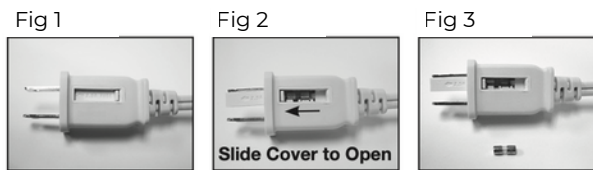
Fuse Replacement

Note: Some models come with a plug where you can replace a fuse. If your model has this, please read and follow the below instructions to replace the fuse.

This product employs overload protection (fuse). A blown fuse indicates an overload or short-circuit situation. If the fuse blows, unplug the product from the outlet. Replace the fuse as per the user servicing instructions (follow product marking for proper fuse rating) and check the product. If the replacement fuse blows, a short-circuit may be present and the product should be discarded or returned to an authorized service facility for examination and/or repair.

FUSE REPLACEMENT:

1. **Unplug the fan** by grasping the plug and removing from the outlet. Do not unplug by pulling on the cord.
2. Open fuse cover by sliding open fuse access cover on top of attachment plug towards blades. See Fig. 2.
3. Remove the fuse carefully. Use a small tool to pry the end of the fuse from holder cavity. Be careful not to break glass window.
4. Replace fuse. **WARNING: Risk of fire.** Replace fuse only with identical 2.5 or 5.0 Amp, 125 Volt fuse (.14 x .39"). Be sure the fuse is properly seated within its cavity.
5. Close fuse cover by sliding it back to its original closed position.



Cleaning and Storage

Be sure to switch off the power supply and remove the plug from the socket before cleaning.

1. Never immerse the fan in the water or other liquids.
2. Take care that no liquid enters the casing.
3. While cleaning, take care that splashing water, oil, alcohol, or chemical substances are not used, as they can lead to plastic damage and electrical risks.
4. Wait until the fan is completely cooled before cleaning.
5. Clean the surface with a clean, damp cloth.
6. After cleaning, dry the unit completely.

Store the fan in a clean, dry area using the original packing box.

Disposal and Environmental Protection

- Dispose of the product at the end of its lifetime according to relevant legal regulations.
- Electrical products such as electrical appliances, energy-saving lamps, and (rechargeable) batteries marked with a crossed-out garbage can cannot be disposed of with household waste.
- Dispose of the product at a specialized waste disposal site.



Limited Warranty

Equity Sales & Marketing, Inc., ("ESM") warrants this product against defects in workmanship or material for a period of 1 year from the date of purchase for residential, non-commercial use. This is the Limited Warranty against manufacturing defects. This warranty is valid only in the United States. For California residents, this warranty commences on the delivery date of product to the consumer, instead of the date of purchase. The Kenmore Brand is used under license. Direct all claims for warranty service to www.kenmorehomecomfort.com.

THIS WARRANTY SHALL NOT APPLY to any products or parts thereof which have been damaged by acts of nature, accidents, negligence, commercial use, tampering, misuse or abuse, or which have been altered or modified (including removal of the serial number) or repaired by an unauthorized person or service center. Misuse includes, among other things, connection to improper voltage supply. Further, this warranty does not cover cosmetic damage to the product.

THIS WARRANTY SHALL NOT APPLY to wheels, casters, or accessories since their life depends upon the amount of use.

THIS WARRANTY SHALL NOT APPLY to a product exposed to liquids, or used in wet, rainy, or humid environments.

THIS WARRANTY SHALL NOT APPLY to a product with exhausts or ventilation that have been obstructed.

THIS WARRANTY SHALL NOT APPLY to a product used in a manner contrary to any of the sections of the Use and Care Guide.

FOR REPAIR OR REPLACEMENT the inoperative machine must be delivered with shipping and delivery charges prepaid together with the receipt, bill of sale, or receipted invoice which is evidence of the purchase date (or delivery date for California residents) to place of purchase. ESM will either repair or replace, at its selection, all defective machines during the warranty period.

This limited warranty is the sole and exclusive warranty for the ESM product. No employee, agent, dealer, or other person is authorized to alter this warranty or make other warranty on behalf of ESM.

REPAIR OR REPLACEMENT AS PROVIDED UNDER THIS WARRANTY IS THE EXCLUSIVE REMEDY TO THE CONSUMER. ESM SHALL NOT BE LIABLE FOR ANY DIRECT, INDIRECT, SPECIAL, INCIDENTAL, OR CONSEQUENTIAL DAMAGES FOR BREACH OF ANY EXPRESS OR IMPLIED WARRANTY ON THIS PRODUCT, EXCEPT TO THE EXTENT PROHIBITED BY APPLICABLE LAW, ANY IMPLIED WARRANTY OF MERCHANTABILITY OR FITNESS FOR A PARTICULAR PURPOSE IS LIMITED IN DURATION TO THE DURATION OF THIS WARRANTY. ESM'S LIABILITY UNDER NO CIRCUMSTANCES WILL EXCEED THE CONTRACT PRICE FOR THE PRODUCT OR PARTS FOR WHICH LIABILITY IS CLAIMED.

The foregoing obligations are in lieu of all other obligations and liabilities including negligence and state ESM's entire exclusive liability and the purchaser's exclusive remedy. This warranty gives you specific legal rights, and you may also have other rights which vary from state to state. Some states do not allow the exclusion or limitation of incidental or consequential damages, or allow limitations on how long an implied warranty lasts, so the above limitations or exclusions do not apply to you in those states.

For more information visit: www.kenmorehomecomfort.com

Kenmore and the Kenmore logo are registered trademarks of Transform SR Brands LLC and are used under license. Product distributed by Equity Sales & Marketing, Inc., Bentonville, AR 72712. Made in China.

