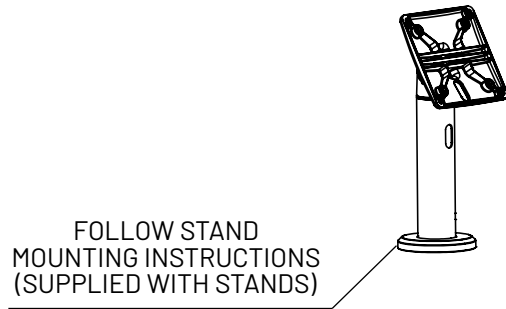
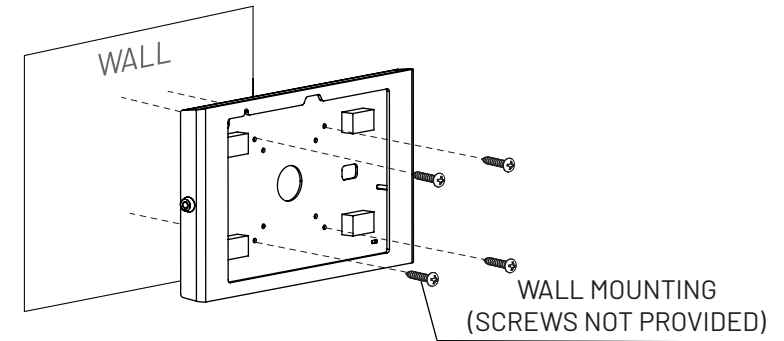


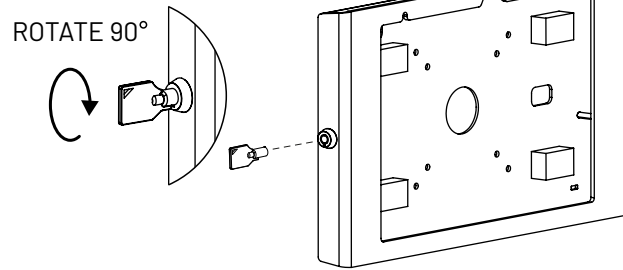
1



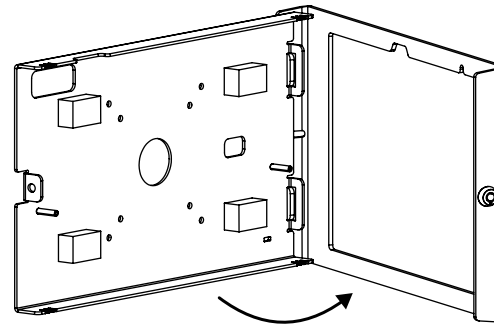
Or



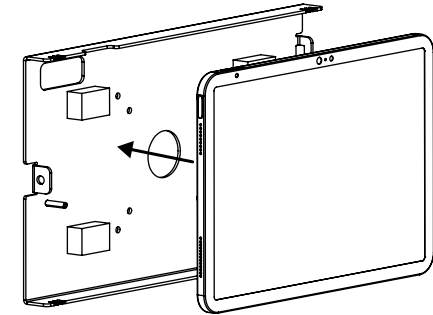
2



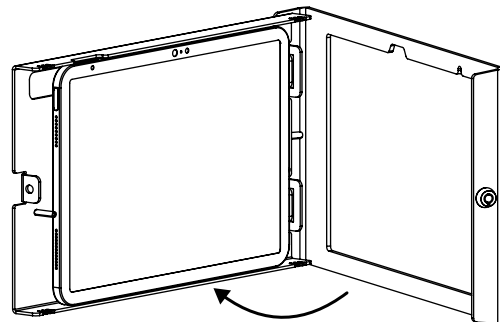
3



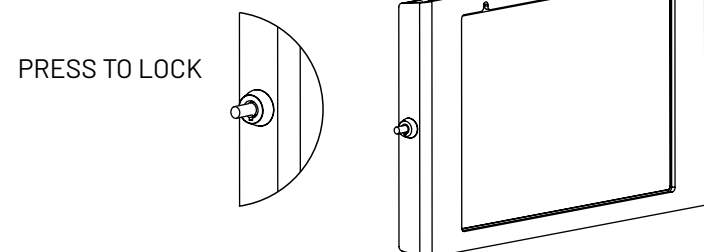
4



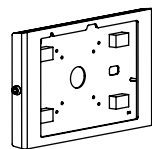
5



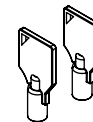
6



IN THE BOX



Apex Enclosure



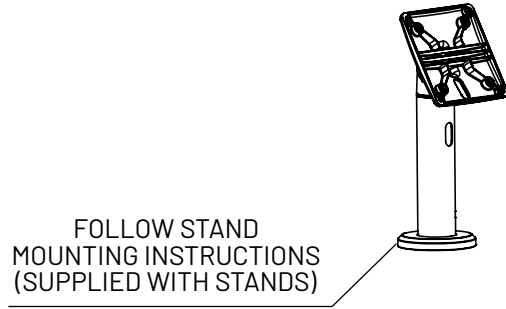
Keys

Swell Enclosure

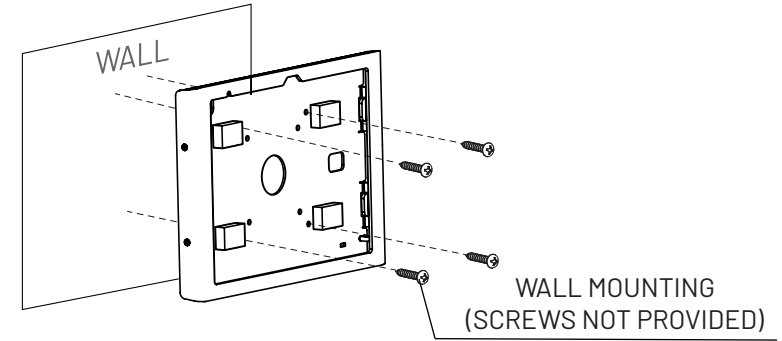
Assembly Instructions

COMPULOCKS

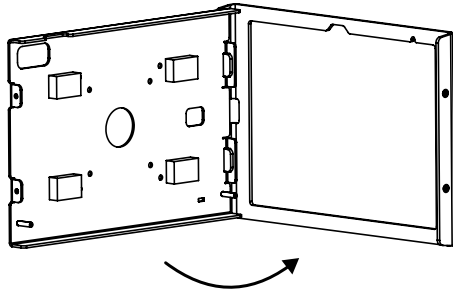
1



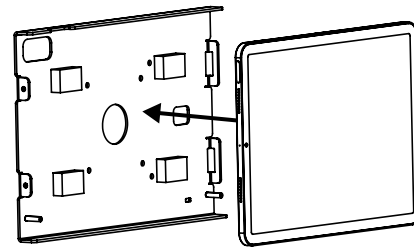
Or



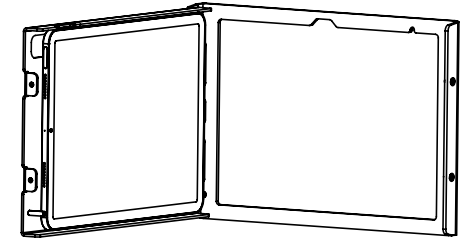
2



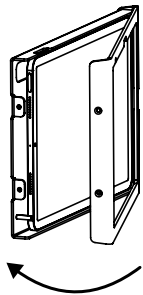
3



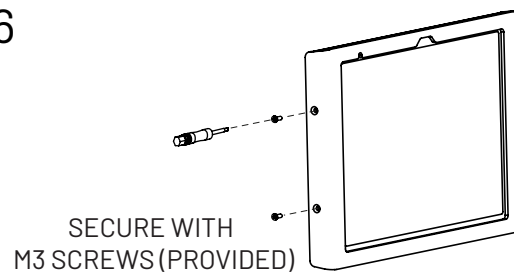
4



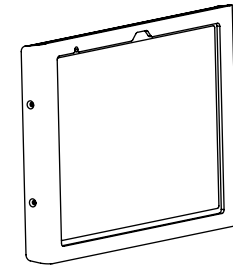
5



6



7



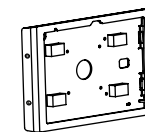
IN THE BOX



Torx Screwdriver



M3x10mm tamper proof screws



Swell enclosure

Space

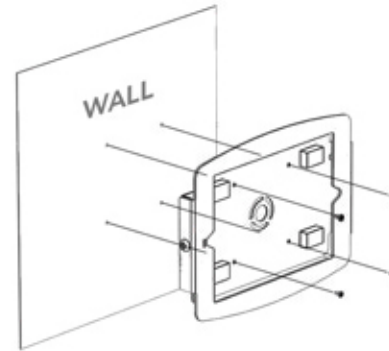
Assembly Instructions

1

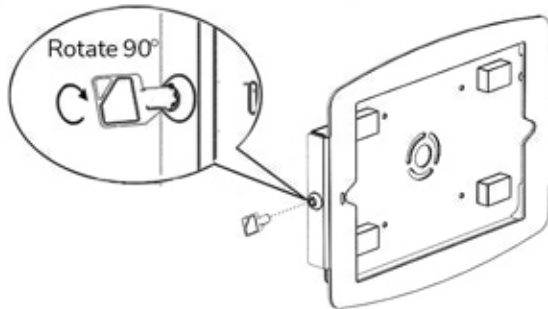


FOLLOW STAND
MOUNTING INSTRUCTIONS

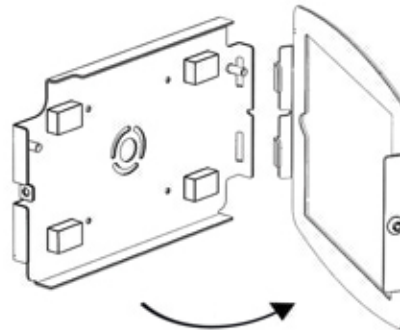
or



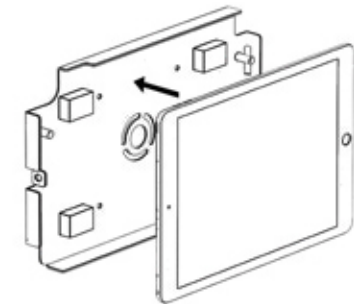
2



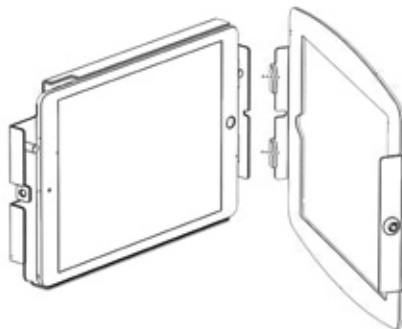
3



4



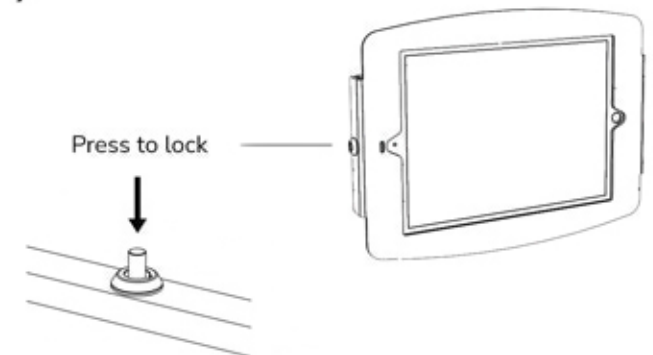
5



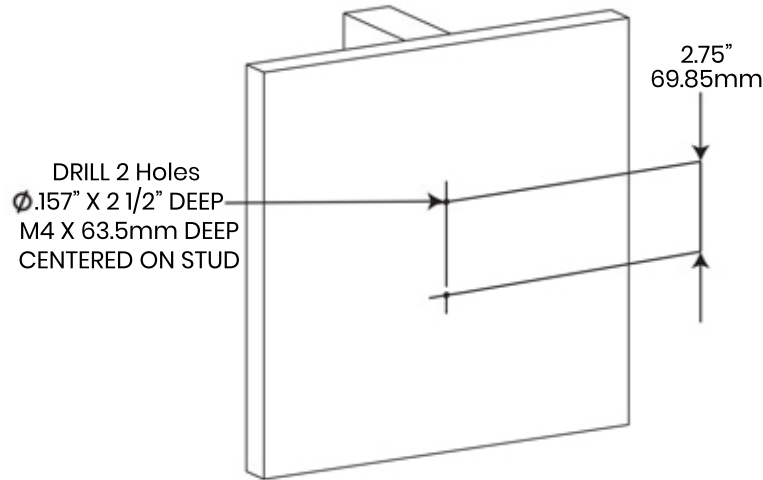
6



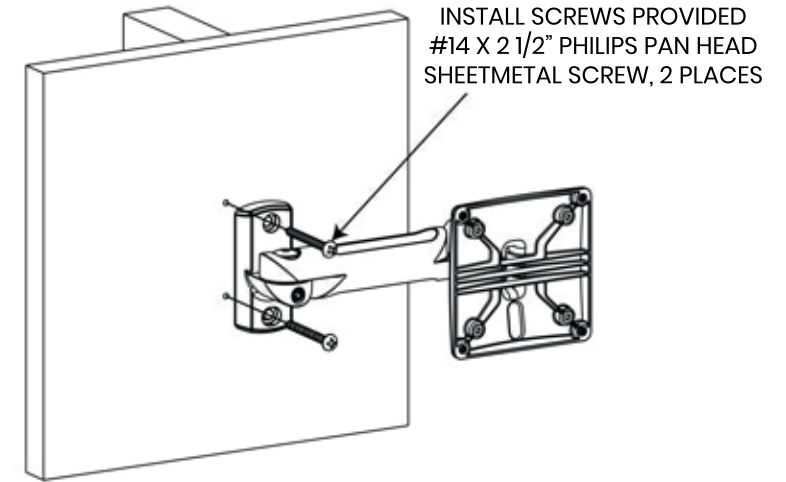
7



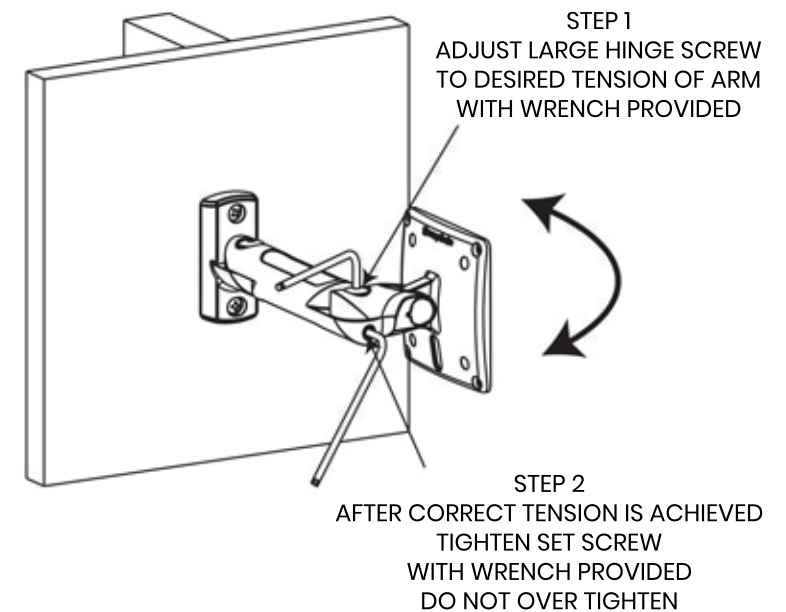
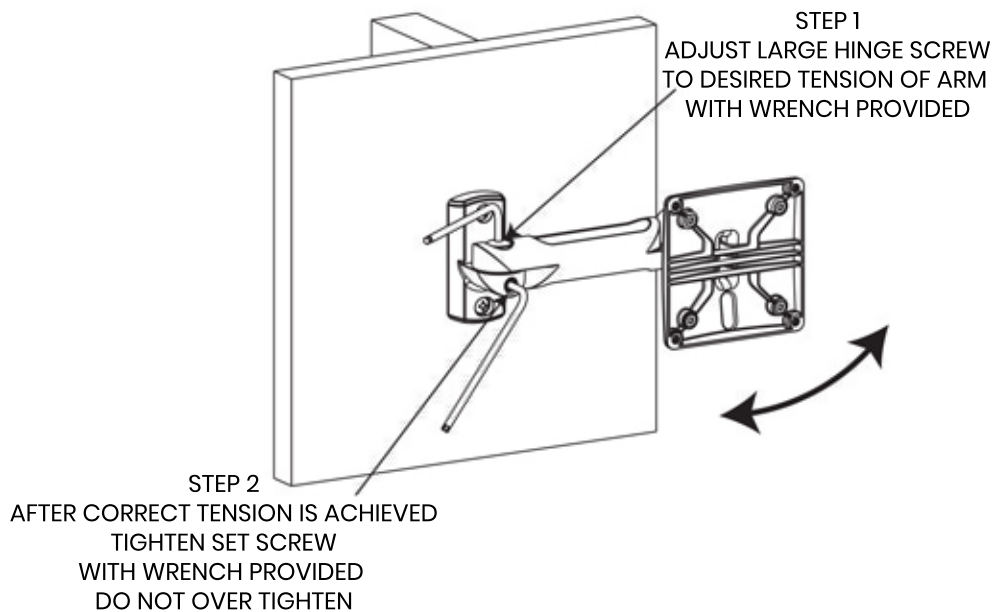
Wall Mounting - Wood Stud



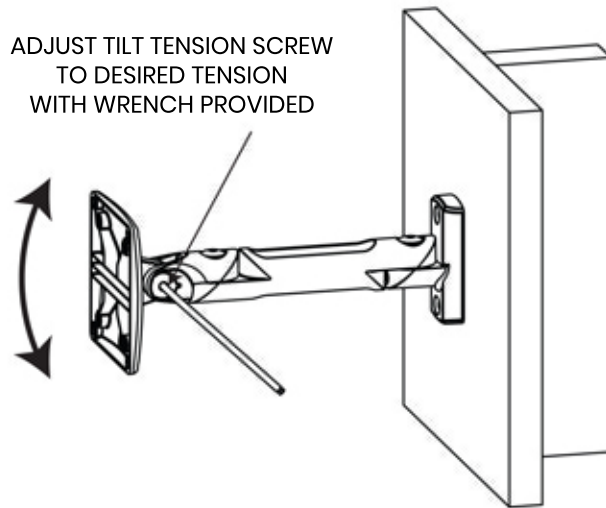
Wood Stud Installation



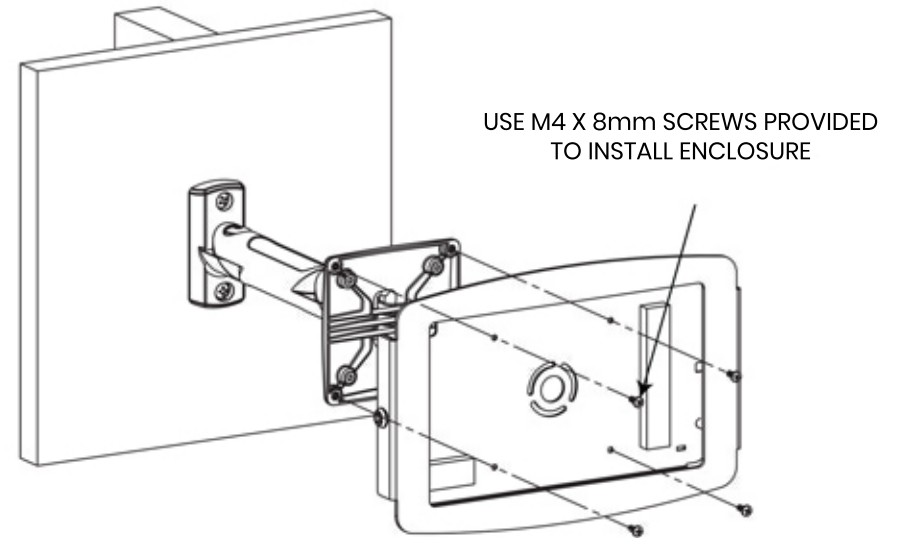
Hinge Adjustment



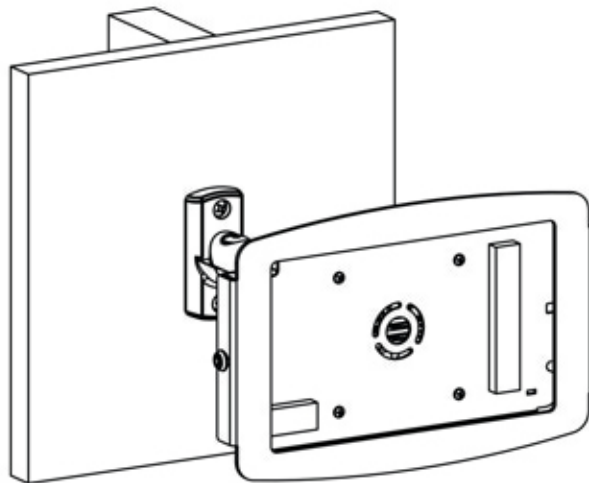
Tilt Adjustment



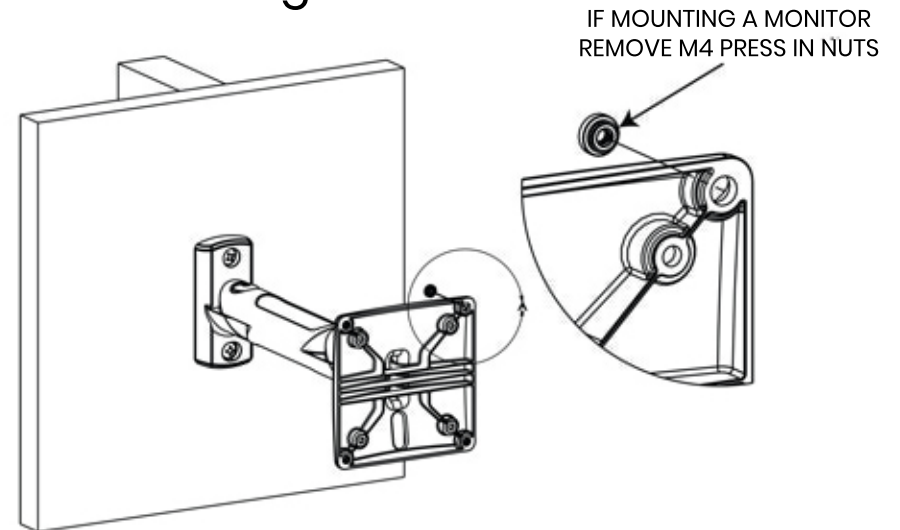
Enclosure Installation



Installation Complete



Monitor Mounting



**HARDWARE FOR MOUNTING THE MONITOR
IS NOT INCLUDED**