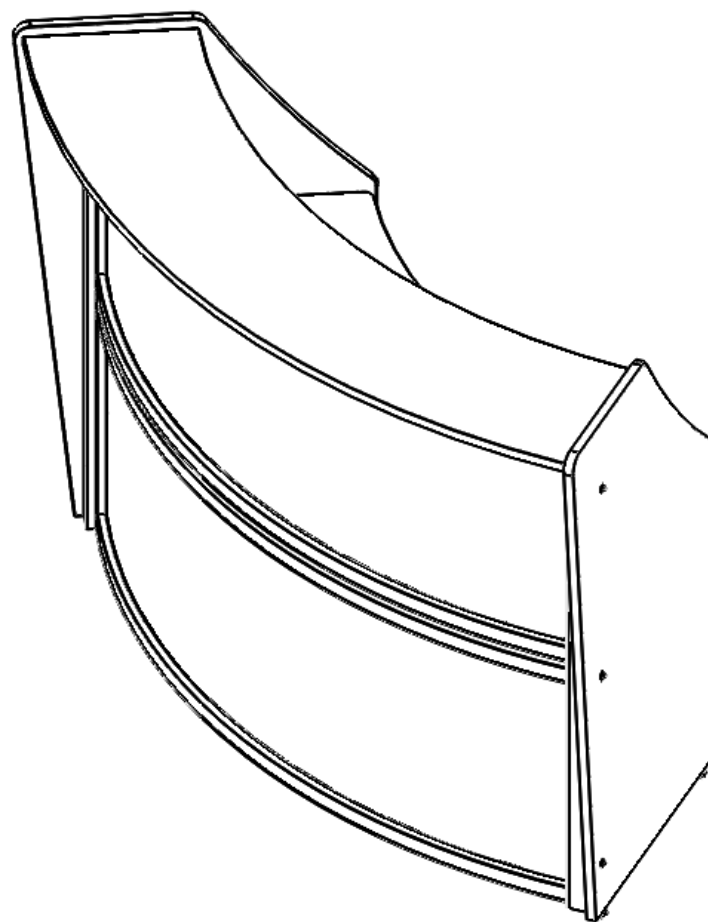


# ASSEMBLY INSTRUCTIONS

THANKS FOR YOUR PURCHASE



MODEL ZU\_290

ZU\_296

ZU\_297

ZU\_298

ZU\_299

ZU\_292

ZU\_293

ZU\_490

MORE FURNITURE AND ACCESORIES IN



[www.lineaitaliafurniture.com](http://www.lineaitaliafurniture.com)



Linea Italia Furniture



Linea Italia Furniture

WARRANTY  
POLICY



EXPANDING  
SMART



EASY ASSEMBLY  
NO-TOOLS

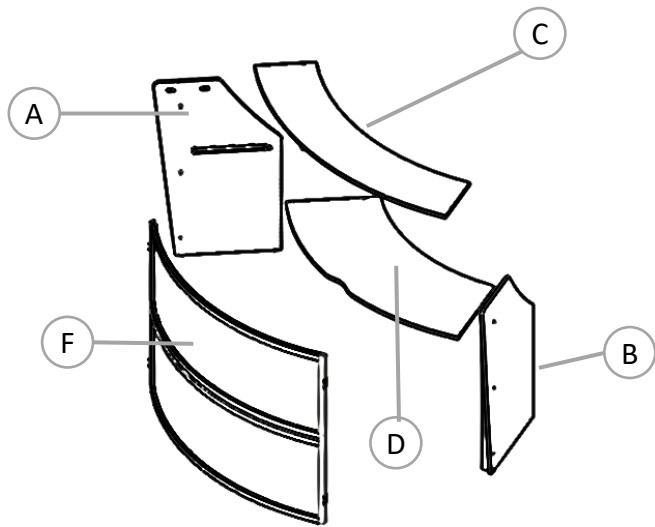


RE  
ASSEMBLE  
DIS

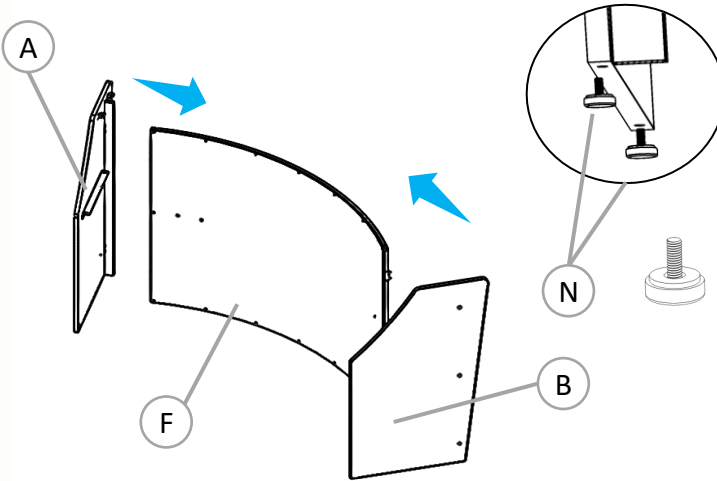


STRONG  
STEEL FRAME

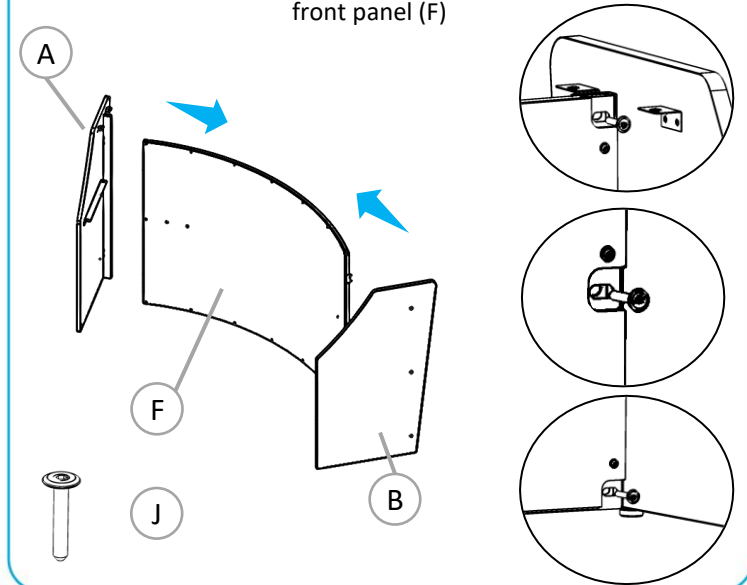
FURNITURE



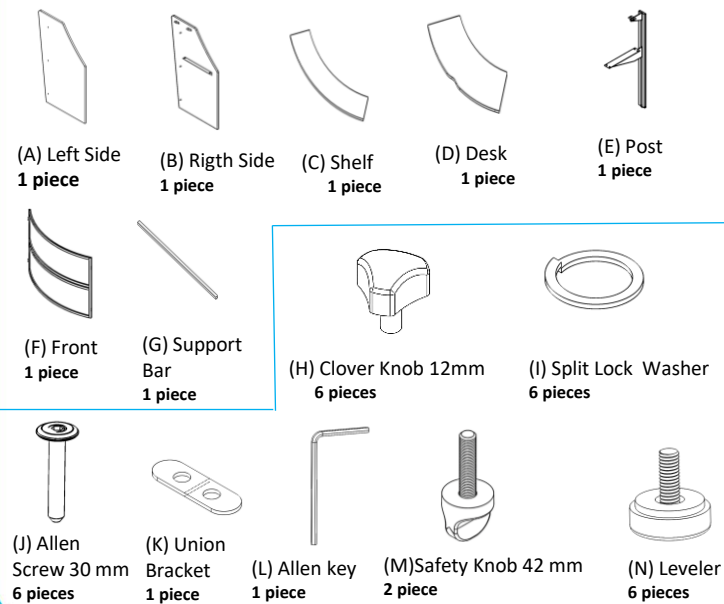
**1** Insert the 4 levelers (N) underneath the sides (A) & (B) and one leveler (N) in Front (F)



**2** Assemble the left side panel (A) and the right side panel (B) with the front panel (F) using the Allen screws (J) in upper corner, middle and bottom corner of the front panel (F)

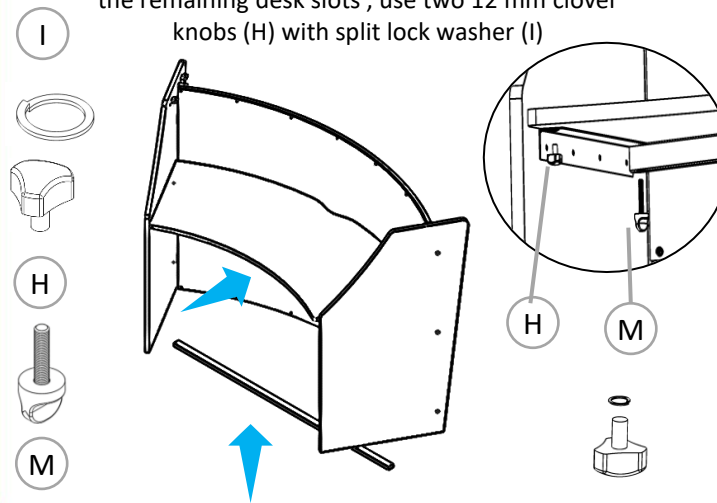


PIECES

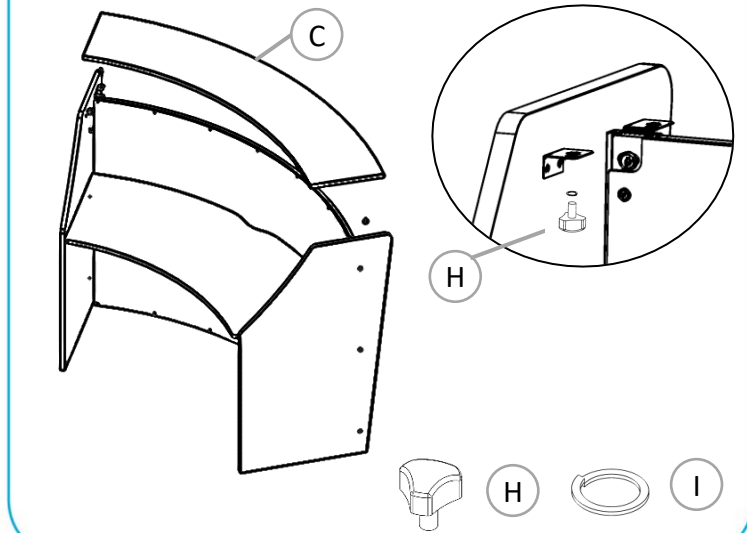


**3** Place the desk (D) securing with the side panels (A) & (B)

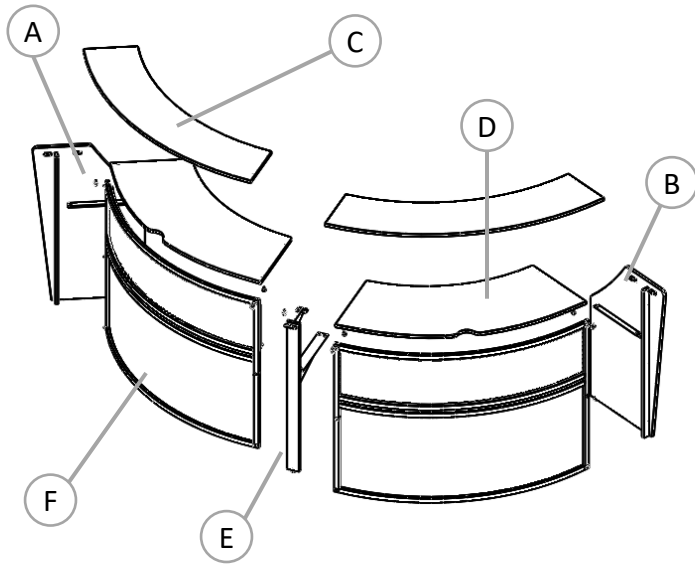
Assemble the support bar (G) underneath the desk (D) with the two 42mm safety knobs (M), on the remaining desk slots, use two 12 mm clover knobs (H) with split lock washer (I)



**4** Place the shelf (C) on the top of the side panels (A) & (B) and the front curved panel (F) using four 12mm clover knobs (H) with split lock washer (I) on the slots underneath the shelf

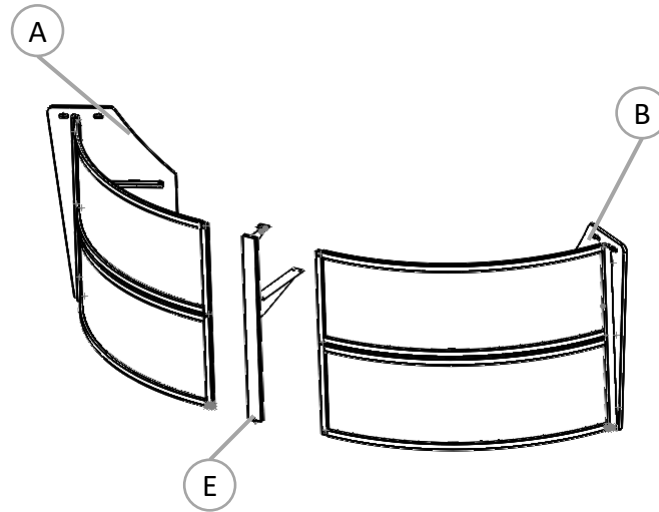


FURNITURE



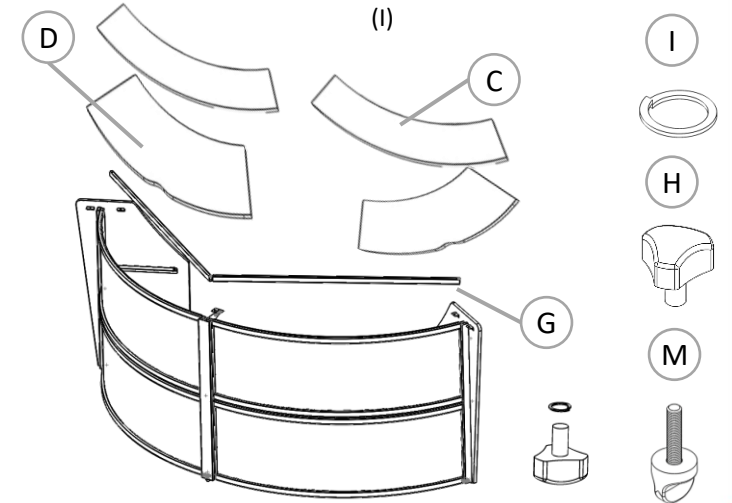
1

Insert the leveler (N) in post (E)  
Remove a side from reception (A) or (B) and attach the post (E) with the 30 mm connectors (J)

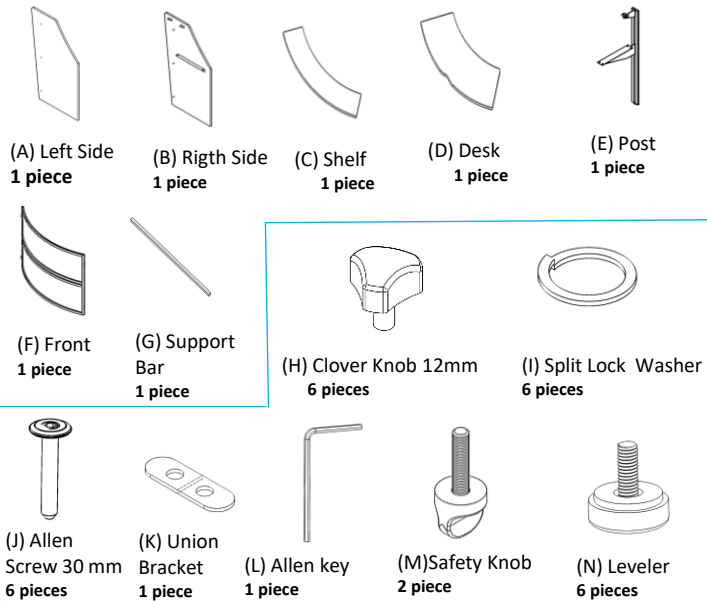


2

Place the Desk (D) and Shelf (C) on the structure and secure the Shelf (C) with Clover knob 12mm (H) and Split Lock washer (I). Assemble the support bars (G) underneath the desk (D) with the four 42mm safety knobs (M), on the remaining desk slots, use four 12 mm clover knobs (H) with split lock washer (I)

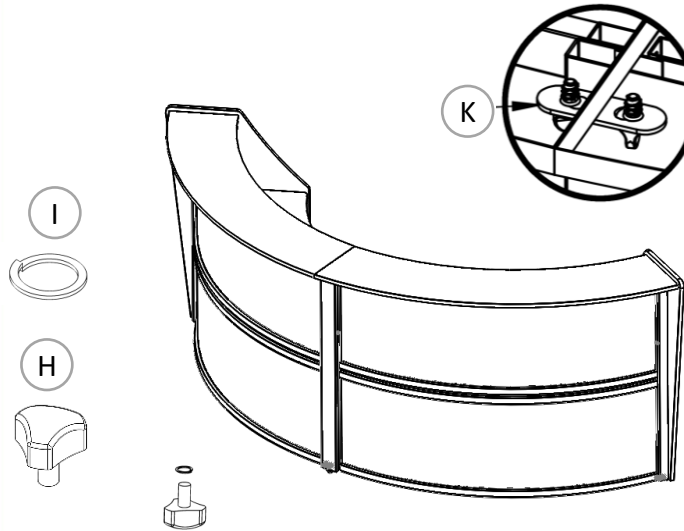


PIECES



3

Place the union bracket (K) between the shelves (C) and secure it with clover knob 12 mm (H) and Split Lock Washer (I)



4

Final product

