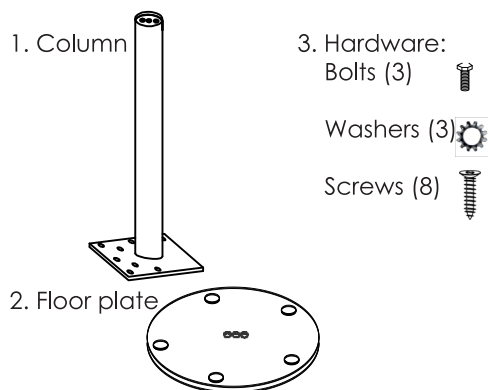


Sienna Table (Round and Square Base) Assembly Instructions

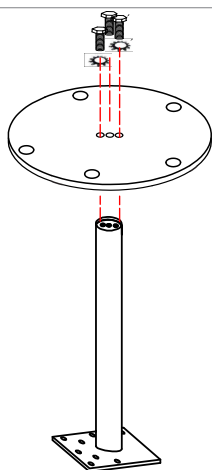
Parts Included:



Tools Needed:

13mm ratchet wrench or impact drill
 3/8" hex bit
 13mm socket
 #3 Phillips bit
 Safety glasses

If you are missing parts or have any questions, please call Customer Service at 888-705-0777.



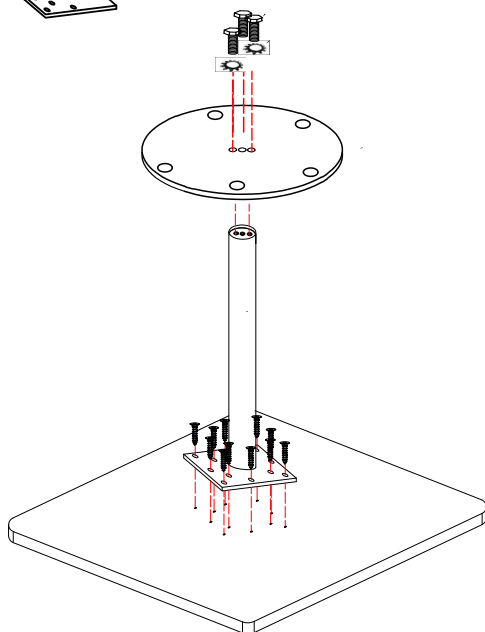
Instructions

Base Assembly

1. To assemble the base, set mounting plate on the floor with the bottom of the column pointing upward. Place the floor plate over the column aligning holes in the floor plate in inside the column. Insert (3) hex head bolts with washers inside them and start them by hand.
2. Use impact drill to **tight nut as much as possible**.

Table Assembly

1. Lay table top upside down on cardboard or carpeted surface.
2. Position column on the top and align holes in mounting plate with pre-drilled holes in the top. Use wood screws to attach the top. Use every hole in the mounting plate.
3. Holding onto the edges of the top, carefully turn the table over in the upright position. Enjoy your table!



START BOLTS BY HAND TO PREVENT CROSS THREADING