

Assembly Instructions



LINK

? If you have questions, please call Customer Service Toll Free at 888.705.0777.

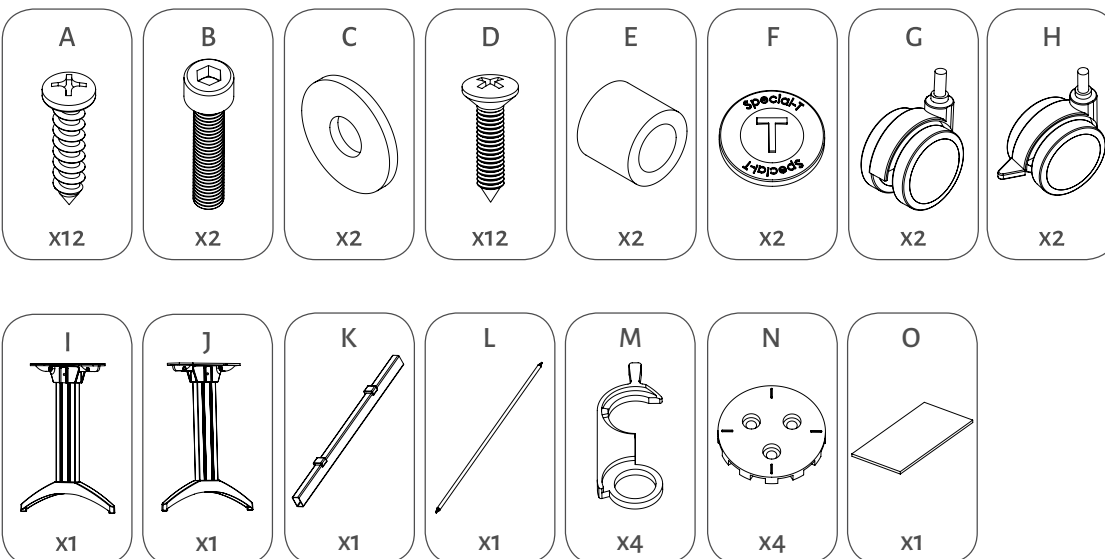
! Proper assembly requires two people to stand table upright.

! Start bolts by hand to prevent cross threading.

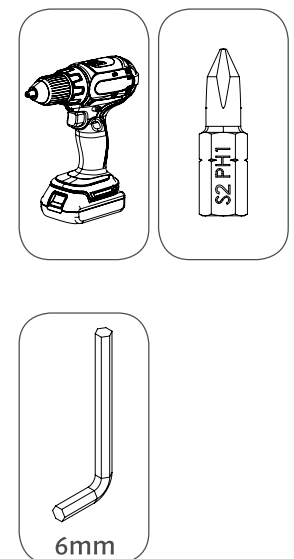
! Assemble on a soft and smooth surface to prevent damage to your top.

! Lock wheels before linking tables together.

Parts Included



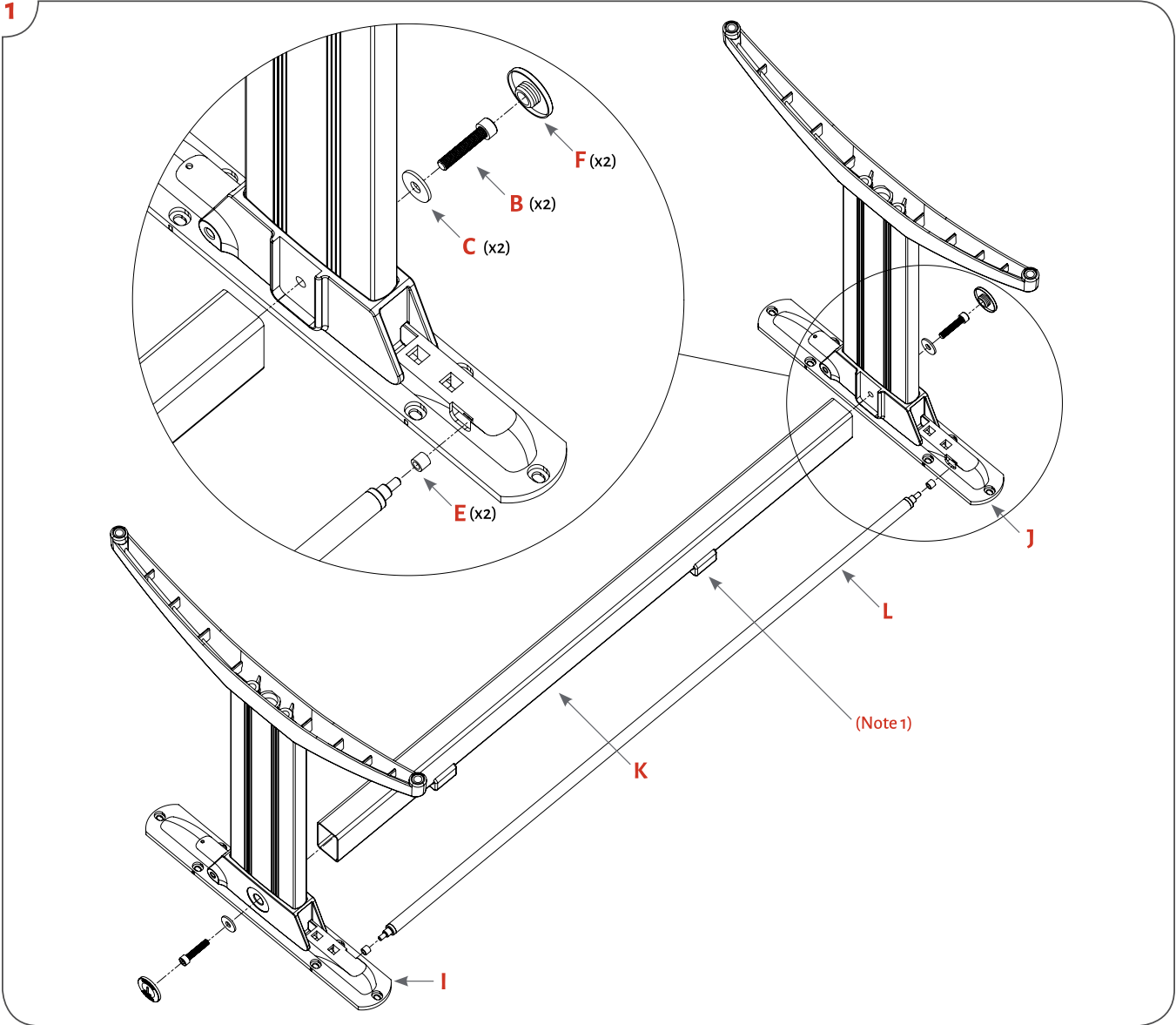
Recommended Tools



SPECIAL T

Assembly Instructions

Assembly

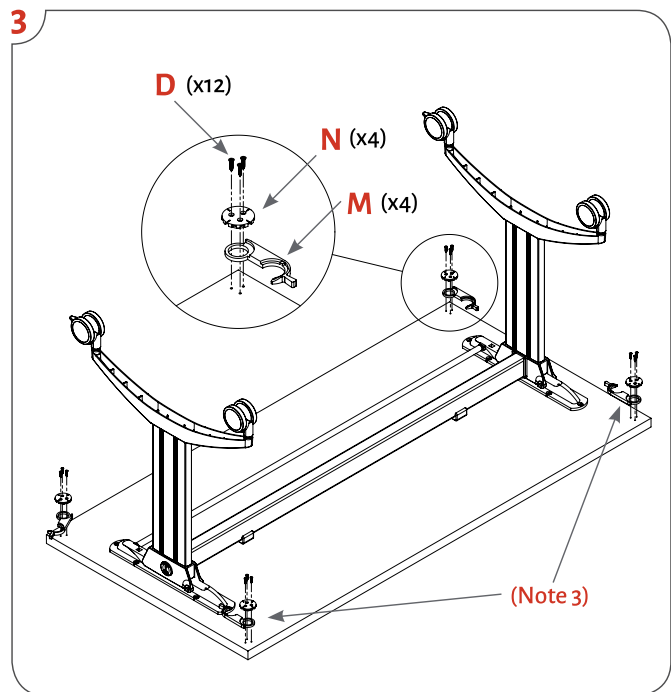
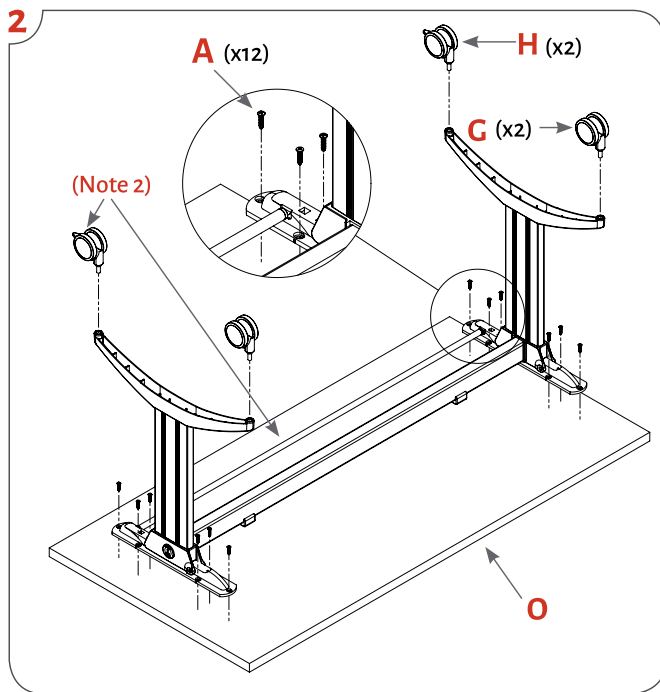


Notes:

- 1) Ensure the rubber bumpers on the support beam ('K') are facing down during assembly.

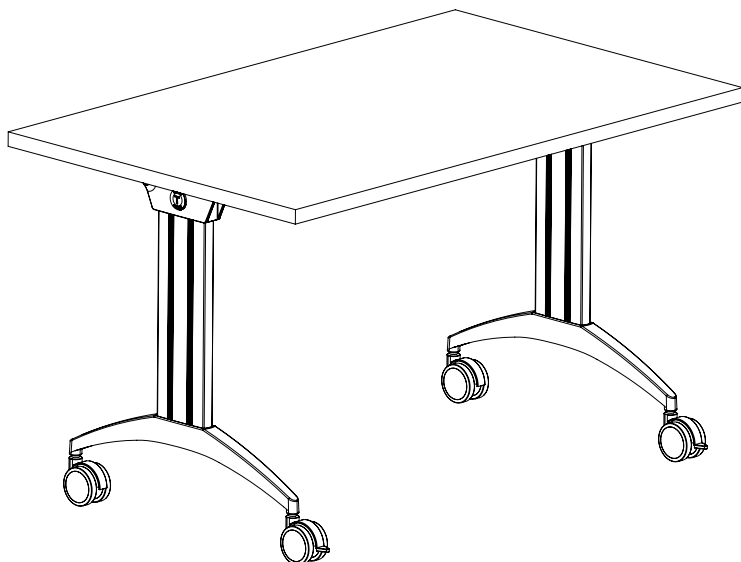
SPECIAL T

Assembly Instructions



Notes:

- 2) Install the locking casters ('H') on the user side. The user side is the side with the unlock bar ('L').
- 3) Install the 4 Fleksit connectors ('M' & 'N') on the corners only. Additional predrill locations are available for non-standard configurations.



Enjoy Your
Table!