

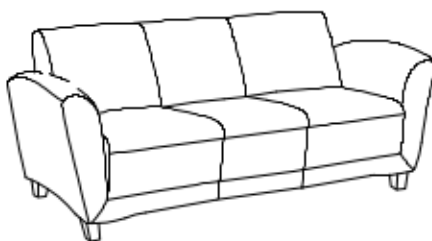
ASSEMBLY INSTRUCTIONS
SANTA CRUZ SERIES LOUNGE FURNITURE
MODEL NO. VCC1, VCC2 & VCC3



VCC1



VCC2



VCC3

IMPORTANT!

Review ALL instructions before beginning assembly. These instructions are provided to avoid problems that may occur from improper assembly or installation. Mayline and/or its distributor are not responsible for failure resulting from improper assembly or installation of this product. Moreover, all warranties are void for failure to follow these assembly instructions.










Mayline Company, LLC
 610 N. Commerce, P.O. Box 728
 Sheboygan, WI 53082-0728
 Toll Free: 1-800-822-8037
 FAX: 920-467-7088
 On Line: www.mayline.com

PARTS LIST VCC1, VCC2 & VCC3

When ordering components, specific color and/or size information may be required.
 Contact a Mayline Customer Service Representative. 1-800-822-8037

** Individual Items, Order by part number.*

*** Denotes Color Code*

Reference Letter	Quantity	Part Number	Quantity	Spare
A	1	CM250* Hardware Pack		
		D 	8	1
		Screw M8 x 60mm		
B*	2	E 	8	1
		Washer 16mm x 8.5mm		
Part Number VCCL** Legs, Back		F 	8	1
Reference Letter		Lock Washer 13mm x 8.5mm		
C*	2	G 	1	
		Allen Wrench		
Part Number VCCL** Legs, Front				

1. Tip Chair (A) and assemble Legs (B&C) using Screws (D), Lockwashers (F) & Washers (E) 2 places per Leg. See angle of Legs below for orientation.

