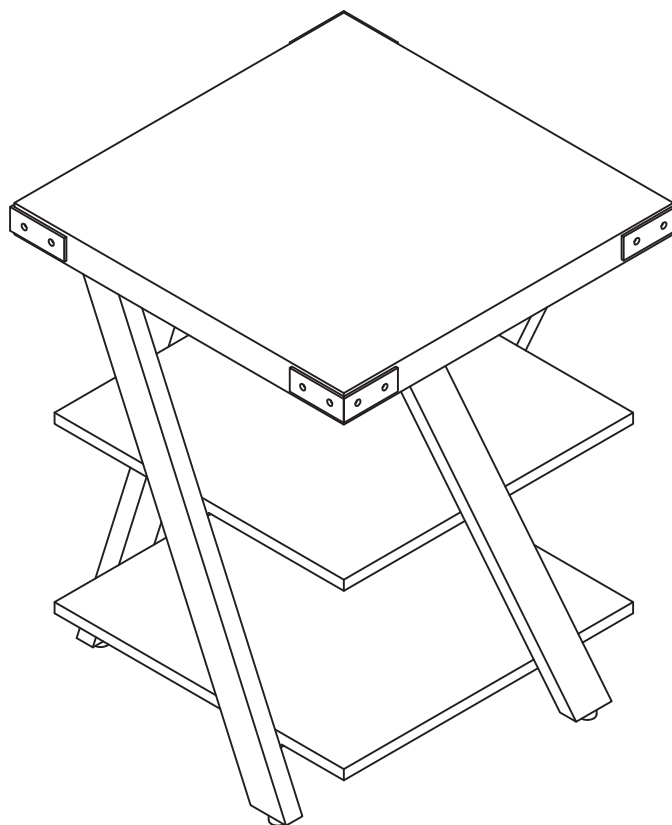


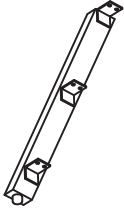
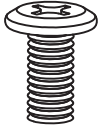
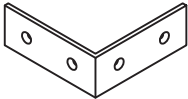



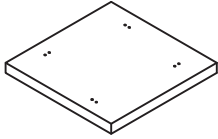
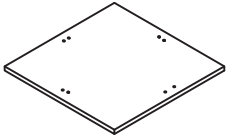
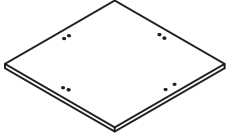
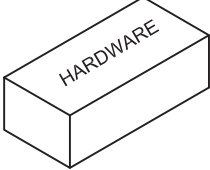
Mirella Series
End Table
Model No. MRET



For questions or concerns, please call 1-888-971-6225 available
Monday-Friday 7:30 AM to 5:00 PM (Central Time)
(English-speaking operators)

PARTS LIST

Name	Part	Qty.	Spare Qty
A	 Leg	4	
B	 M6*15mm	24	1
C	 100*100*38*4mm	4	
D	 M4*14mm	16	1

Name	Part	Qty.	Spare Qty
E	 Top Panel	1	
F	 Middle Shelf	1	
G	 Bottom Panel	1	
	 MRETHB		

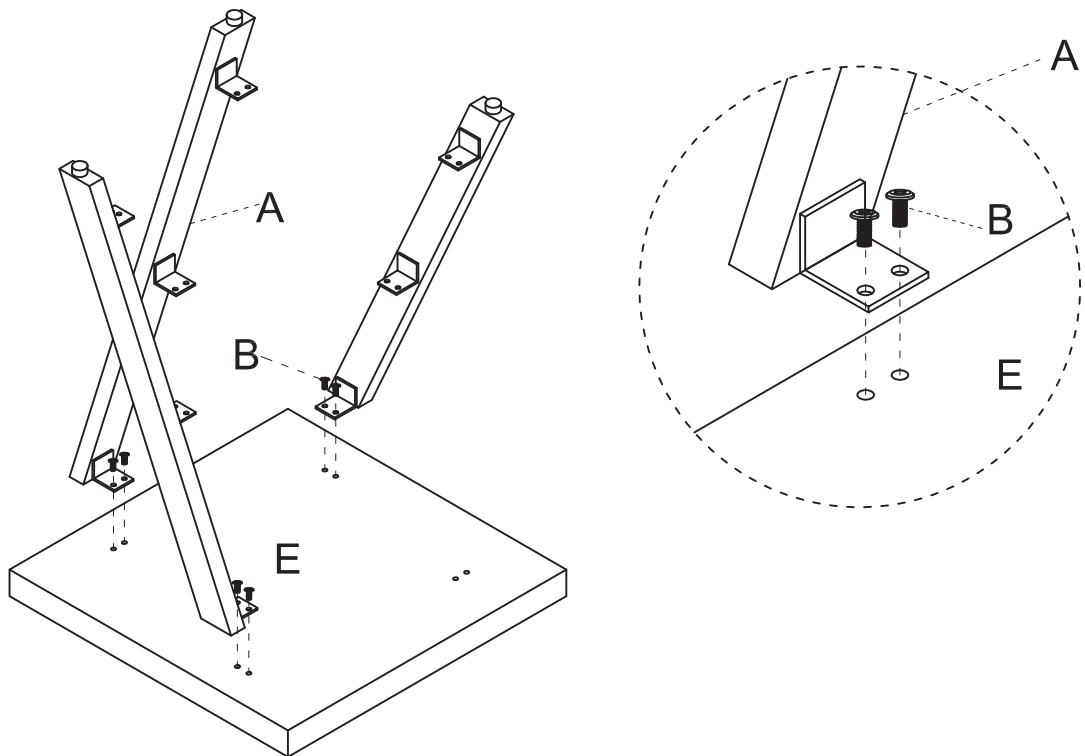
Items with HB are in hardware box.

IMPORTANT!

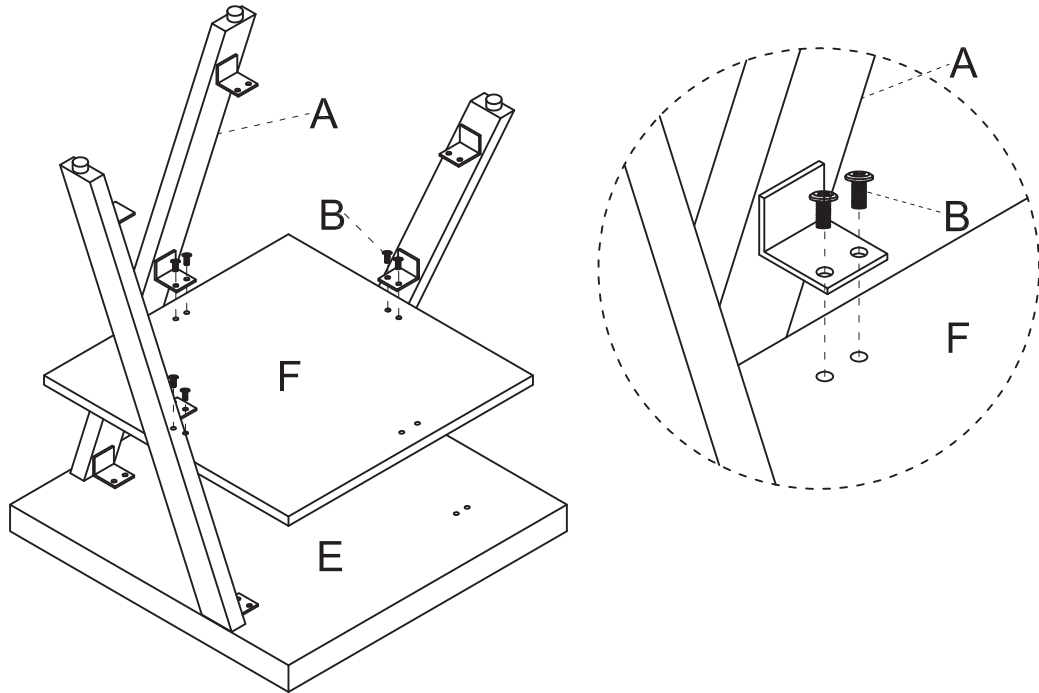
Review ALL instructions before beginning assembly. These instructions are provided to avoid problems that may occur from improper assembly or installation. SAFCO and/or its distributor are not responsible for failure resulting from improper assembly or installation of this product. Moreover, all warranties are void for failure to follow these assembly instructions.

- 1 Use the Screw (B) to install 3 of the Leg (A) to the Top Panel (E);

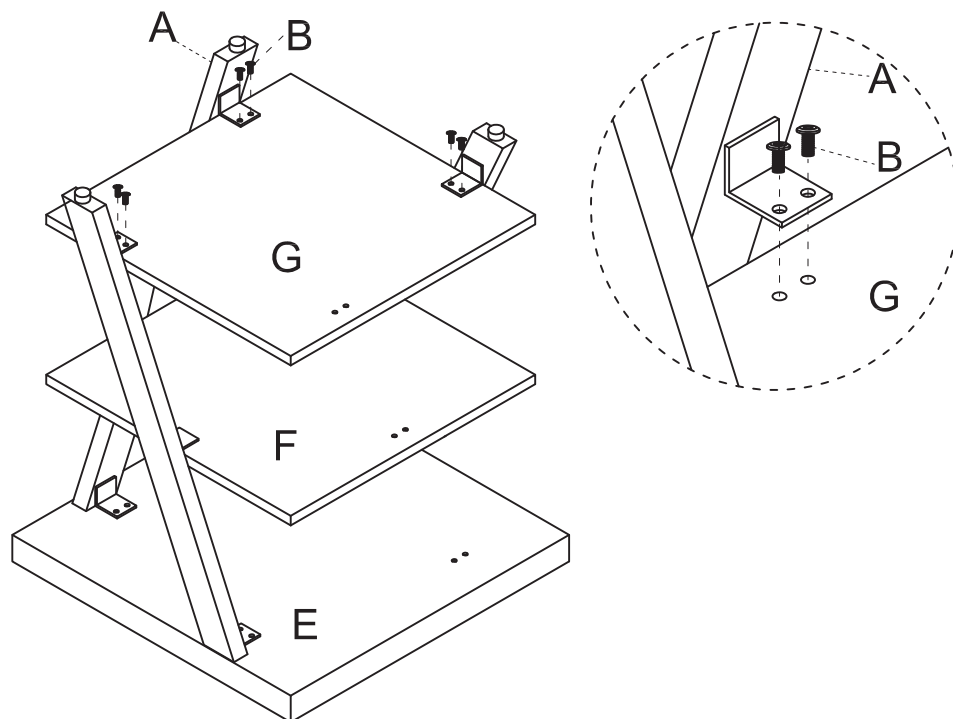
Note: Do Not Tighten Screws



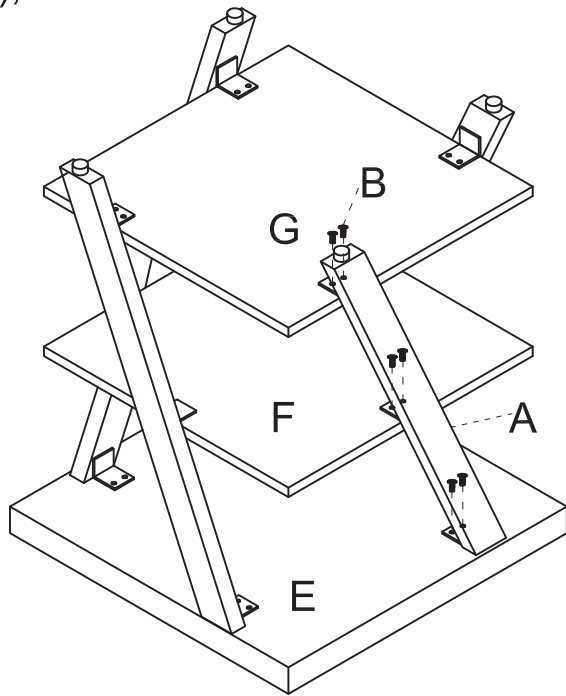
- 2** Use the Screw (B) to install the Middle Shelf (F) to the Leg (A);
Note: Do Not Tighten Screws



- 3** Use the Screw (B) to install the Bottom Panel (G) to the Leg (A);
Note: Do Not Tighten Screws



- ④ Use the Screw (B) to install the Panels (E&F&G) to the 4th Leg (A);



- ④ Use the Screw (D) to install the L Bracket (C) to the Top (E).

