

# Assembly Guide

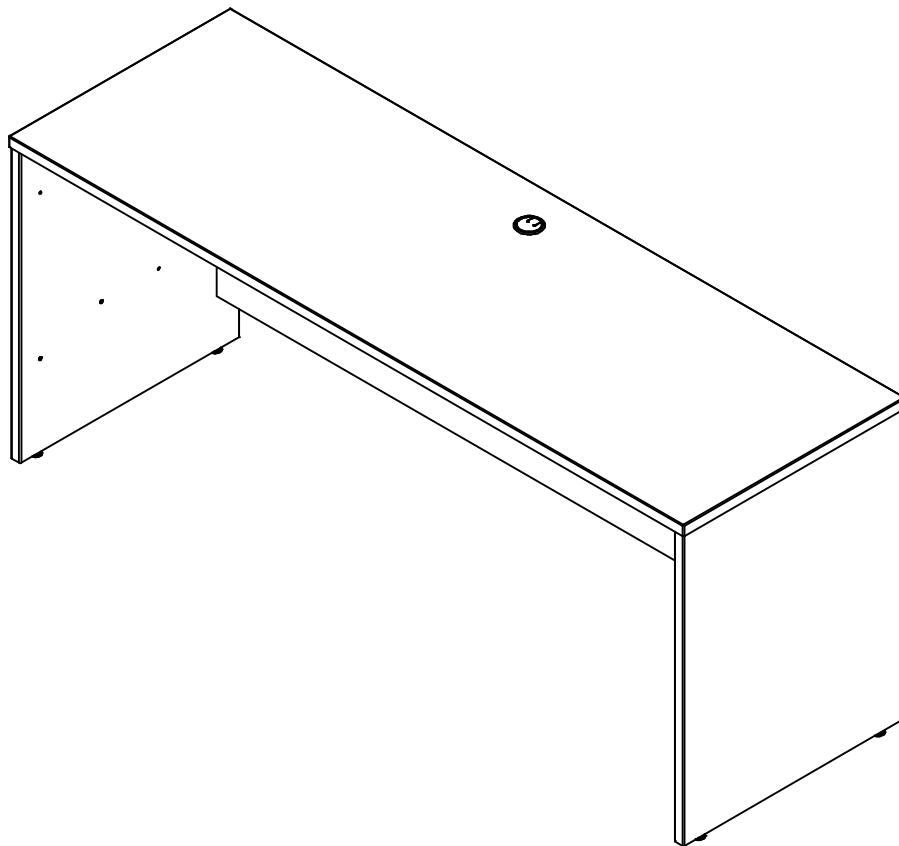


If you're having any difficulty during assembly of this product, don't hesitate to call us at **1-800-950-4782.**

Our customer service experts are trained to provide step-by-step instruction and can easily replace any missing or damaged parts.

**Representatives are available Monday-Friday from 8:30 a.m. to 7:30 p.m. (ET)**

## 72" Desk / Return



Lot Code #

Part Number A177062F

Keep manual for future reference.

## For best results, keep these tips in mind:

- ① We know you want to finish this assembly as quickly as possible, but trust us: you'll have a better experience if you take it one step at a time.
- ② Give yourself some room to work near where you want the fully assembled product.
- ③ If your floor isn't carpeted, assemble this product on the empty carton to avoid scratching.
- ④ Do you have a friend who owes you a favor? Some steps may go a little easier with a second set of hands.

### DOs

- ✔ Use a #2 Phillips head screwdriver (or other handheld tools as indicated)
- ✔ Wear safety glasses at all times during assembly
- ✔ Carefully follow the instructions in this guide and complete all steps in order
- ✔ Give us a call if you're having trouble with a particularly tricky step

### DON'Ts

- ✘ We know power tools are quick and easy, but you shouldn't use them when assembling this product (unless otherwise specified)
- ✘ Never move your furniture with items inside or resting on the surface
- ✘ Do not attempt to use this product before all steps have been completed



## Watch assembly videos right on your phone or computer!



Some steps include QR codes that link to helpful videos. Watch out for the icon below! Simply open up your smartphone camera to scan the code.

*(Users of older smartphones may need to install a QR Reader.)*

SCAN HERE



FOR VIDEOS

Or visit <https://www.bushbusinessfurniture.com/CustomerService/HowtoAssemble.aspx>



## WARNING

Units must be assembled with the instructions, parts and hardware provided. Improper assembly or use could cause structural failure, instability, tip over, and/or serious injury.

Las unidades deben ser ensambladas de acuerdo a las instrucciones y usando el herraje incluido. El ensamblado incorrecto puede causar un fallo estructural, inestabilidad, o que la unidad se derrumbe, causando posibles heridas personales.

Les unités doivent être assemblées avec les instructions et les matériels donnés. Si vous ne le construisez pas correctement ceci pourrait causer des dommages structuraux, instabilité, se renverser et blesser quelqu'un.

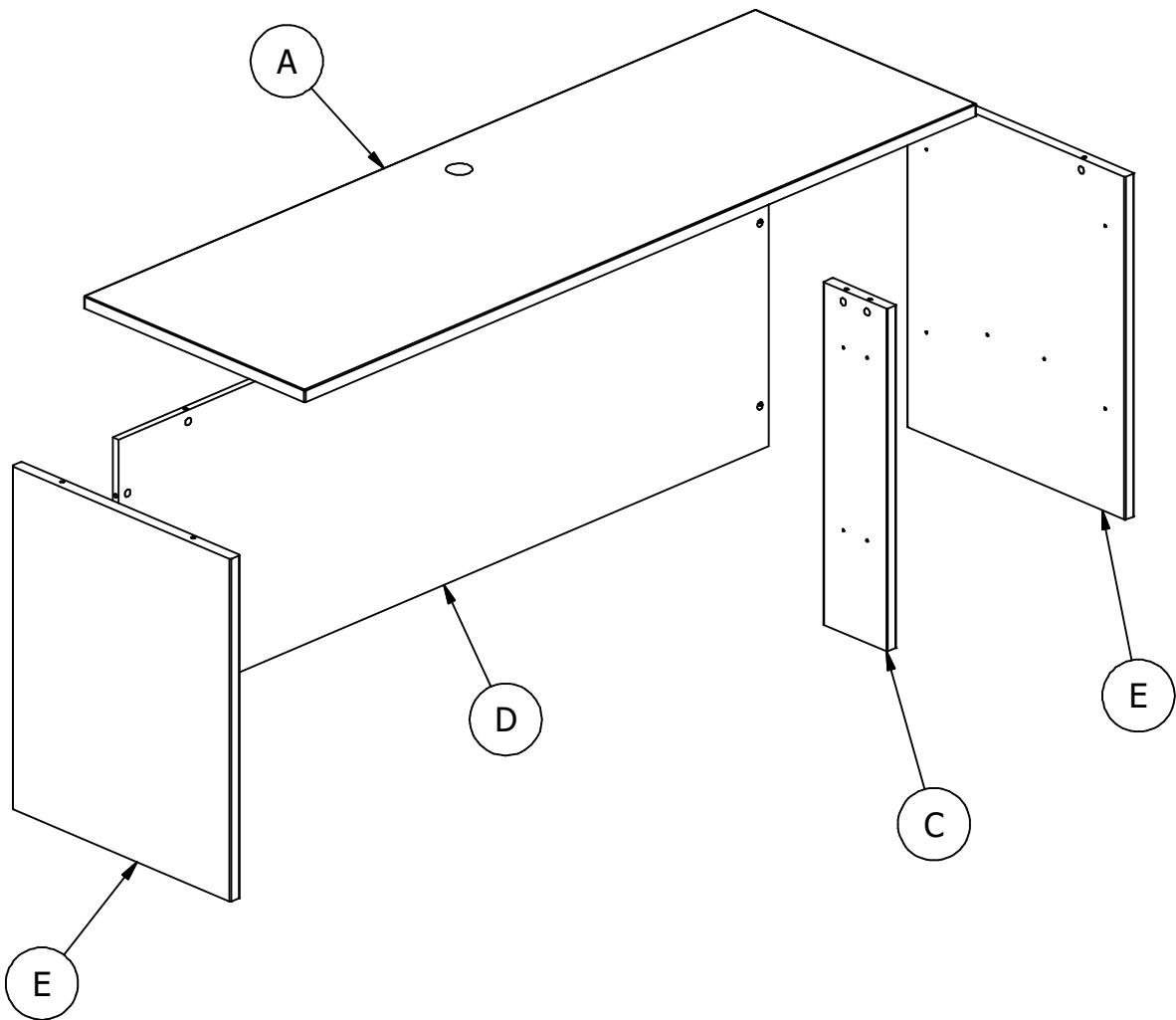
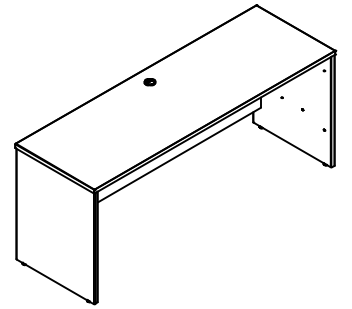


## WARNING

Do not move unit when loaded. Doing so could cause instability, product collapse, tip over, and/or serious injury.


No mueva la unidad cuando esté cargada. Hacerlo puede causar inestabilidad, que el producto se derrumbe, que se la caiga encima y/o heridas (golpes) serias.

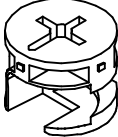
Ne pas déplacer l'unité lorsqu'elle est chargée. Faire ainsi peut causer l'instabilité, l'effondrement ou le renversement du meuble et/ou des endommagements sérieux.

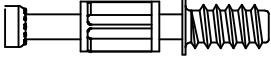


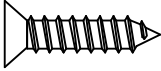
Have an assembly question or need a replacement part? Just call  
**1-800-950-4782**, we are here to help.

Fasteners are shown actual size.

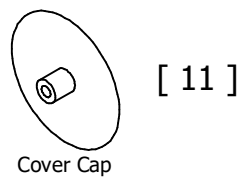
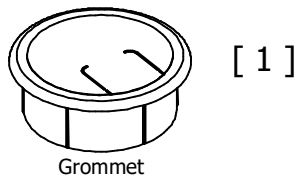
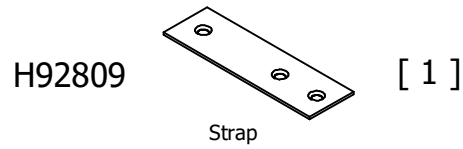
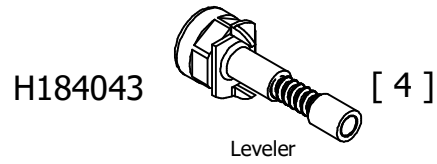
H38169  [ 2 ]  
Wood Dowel 8 x 30

H71659  [ 11 ]  
KD Cam

H72988  [ 11 ]  
KD Bolt

H92810  [ 3 ]  
#10 x 3/4"

Hardware not to scale.



Have an assembly question or need a replacement part? Just call **1-800-950-4782**, we are here to help.

WC12926, WC24426, WC24526  
 WC36726, WC48526, WC60326  
 WC67526, WC72426, SCD372WH  
 SCD372SG, SCD372PG, SCD372CS  
 SCD372AC, SCD372SO, OFD272BW,  
 OFD272MH

Go to Step 2.  
 Proceda al paso 2.  
 Allez à l'étape 2.

WC12926, WC24426, WC24526  
 WC36726, WC48526, WC60326  
 WC67526, WC72426, SCD372WH  
 SCD372SG, SCD372PG, SCD372CS  
 SCD372AC, SCD372SO, OFD272BW,  
 OFD272MH

WC12926, WC24426, WC24526  
 WC36726, WC48526, WC60326  
 WC67526, WC72426, SCD372WH  
 SCD372SG, SCD372PG, SCD372CS  
 SCD372AC, SCD372SO, OFD272BW,  
 OFD272MH

Go to Step 7.  
 Proceda al paso 7.  
 Allez à l'étape 7.

WC12926, WC24426, WC24526  
 WC36726, WC48526, WC60326  
 WC67526, WC72426, SCD372WH  
 SCD372SG, SCD372PG, SCD372CS  
 SCD372AC, SCD372SO, OFD272BW,  
 OFD272MH

WC12926, WC24426, WC24526  
 WC36726, WC48526, WC60326  
 WC67526, WC72426, SCD372WH  
 SCD372SG, SCD372PG, SCD372CS  
 SCD372AC, SCD372SO, OFD272BW,  
 OFD272MH

Go to Step 14.  
 Proceda al paso 14.  
 Allez à l'étape 14.

# STEP 2

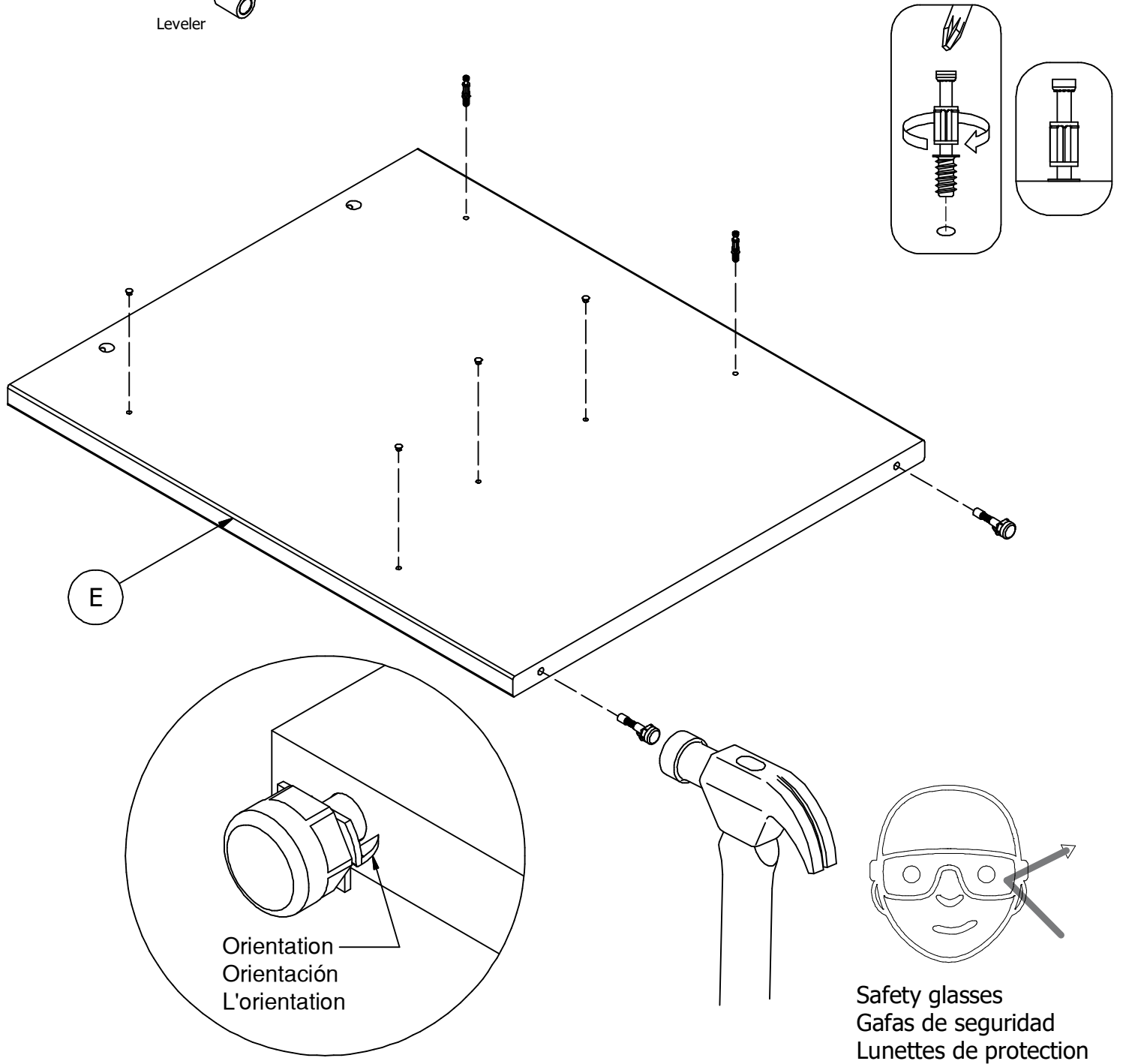
# Prepare Panel

A177062F

H72988 [ 2 ]  
KD Bolt

[ 4 ]  
5mm Hole Plug

H184043 [ 2 ]  
Leveler



Have an assembly question or need a replacement part? Just call  
**1-800-950-4782**, we are here to help.



# STEP 3

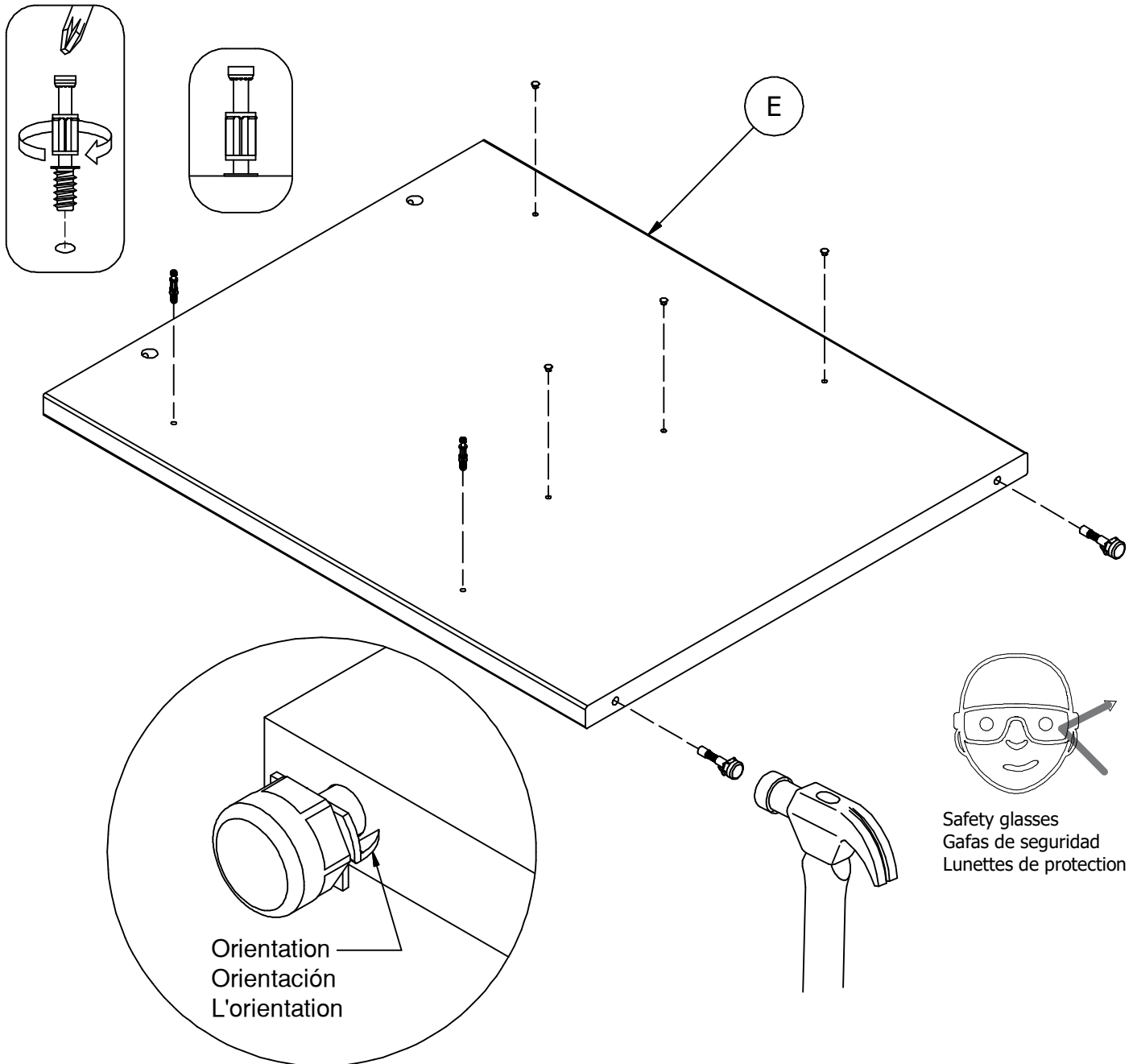
# Prepare Panel

A177062F

H72988 [ 2 ]  
KD Bolt

[ 4 ]  
5mm Hole Plug

H184043 [ 2 ]  
Leveler



Have an assembly question or need a replacement part? Just call  
**1-800-950-4782**, we are here to help.

# STEP 4

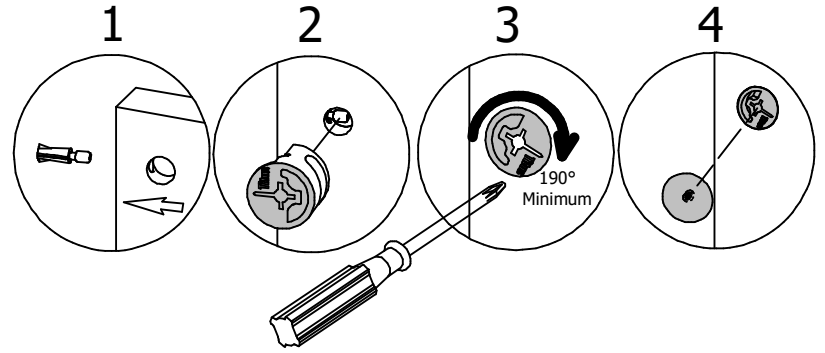
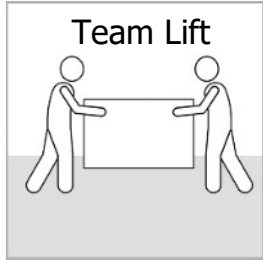
# Assemble Panels

A177062F

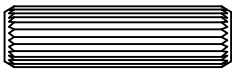
Scan QR Code to Watch Video on:



How to Tighten KD Cams



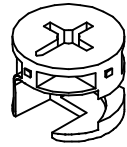
H38169



[ 2 ]

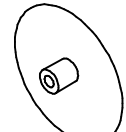
Wood Dowel 8 x 30

H71659



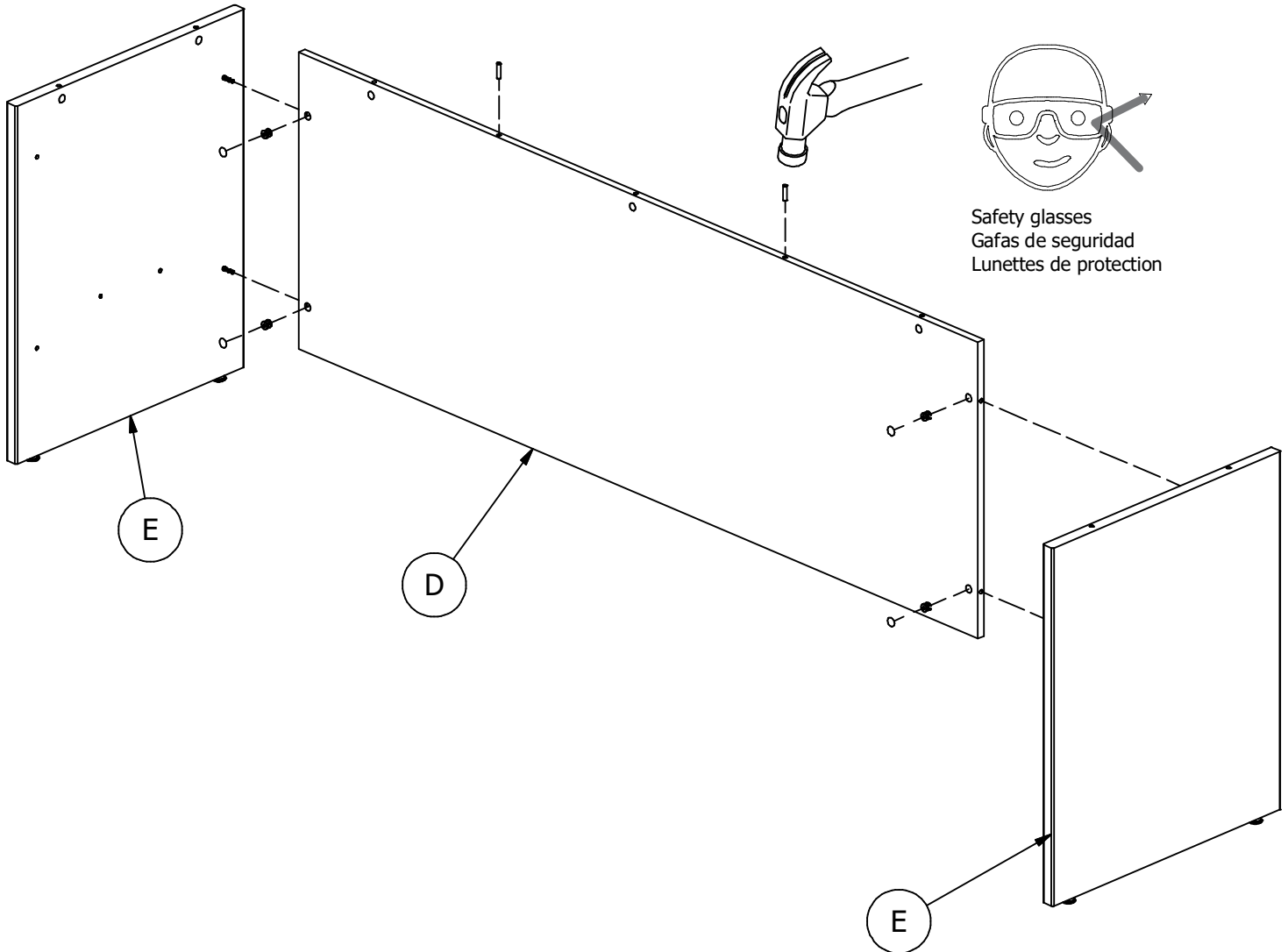
[ 4 ]

KD Cam



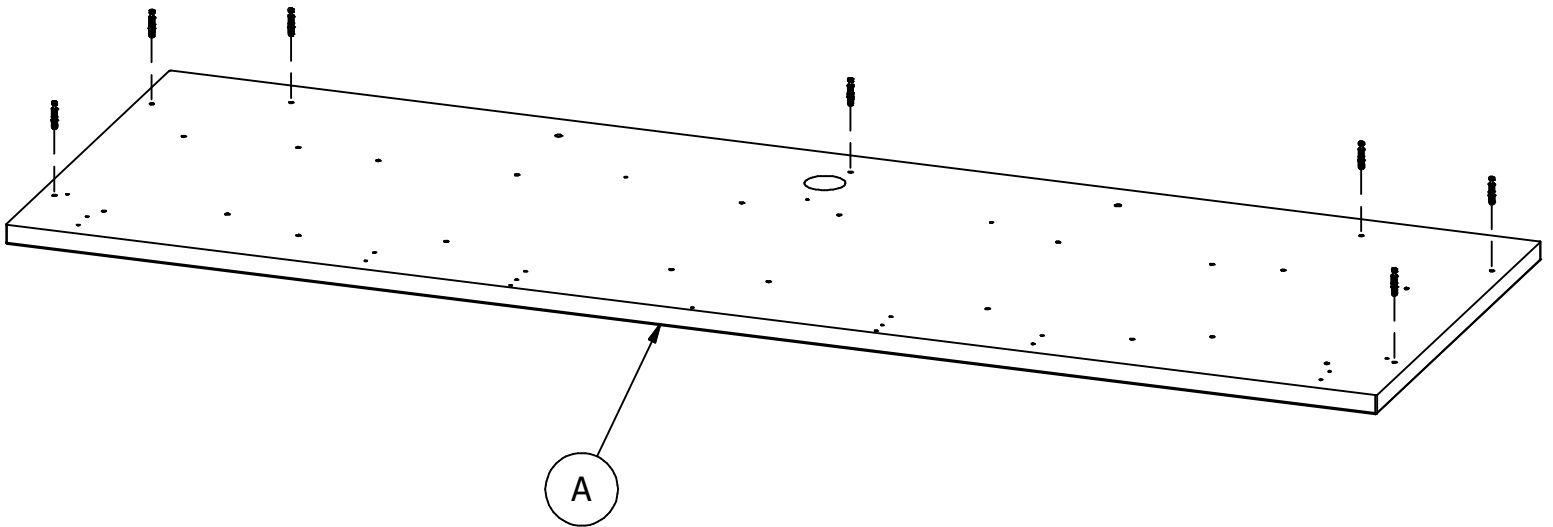
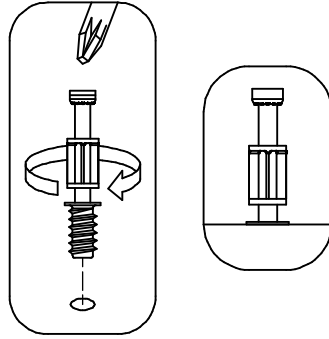
[ 4 ]

Cover Cap



Have an assembly question or need a replacement part? Just call **1-800-950-4782**, we are here to help.

H72988 [ 7 ]  
KD Bolt



# STEP 6

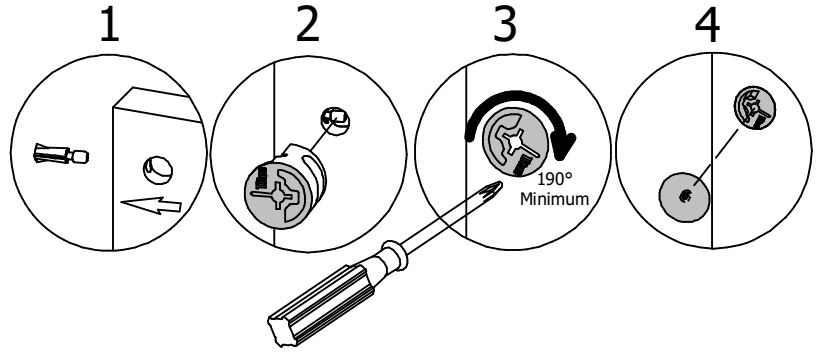
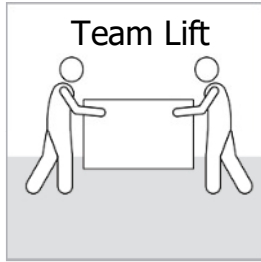
# Assemble Panels

A177062F

Scan QR Code to Watch Video on:

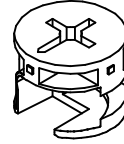


How to Tighten KD Cams



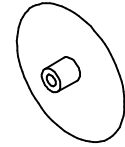
A

H71659



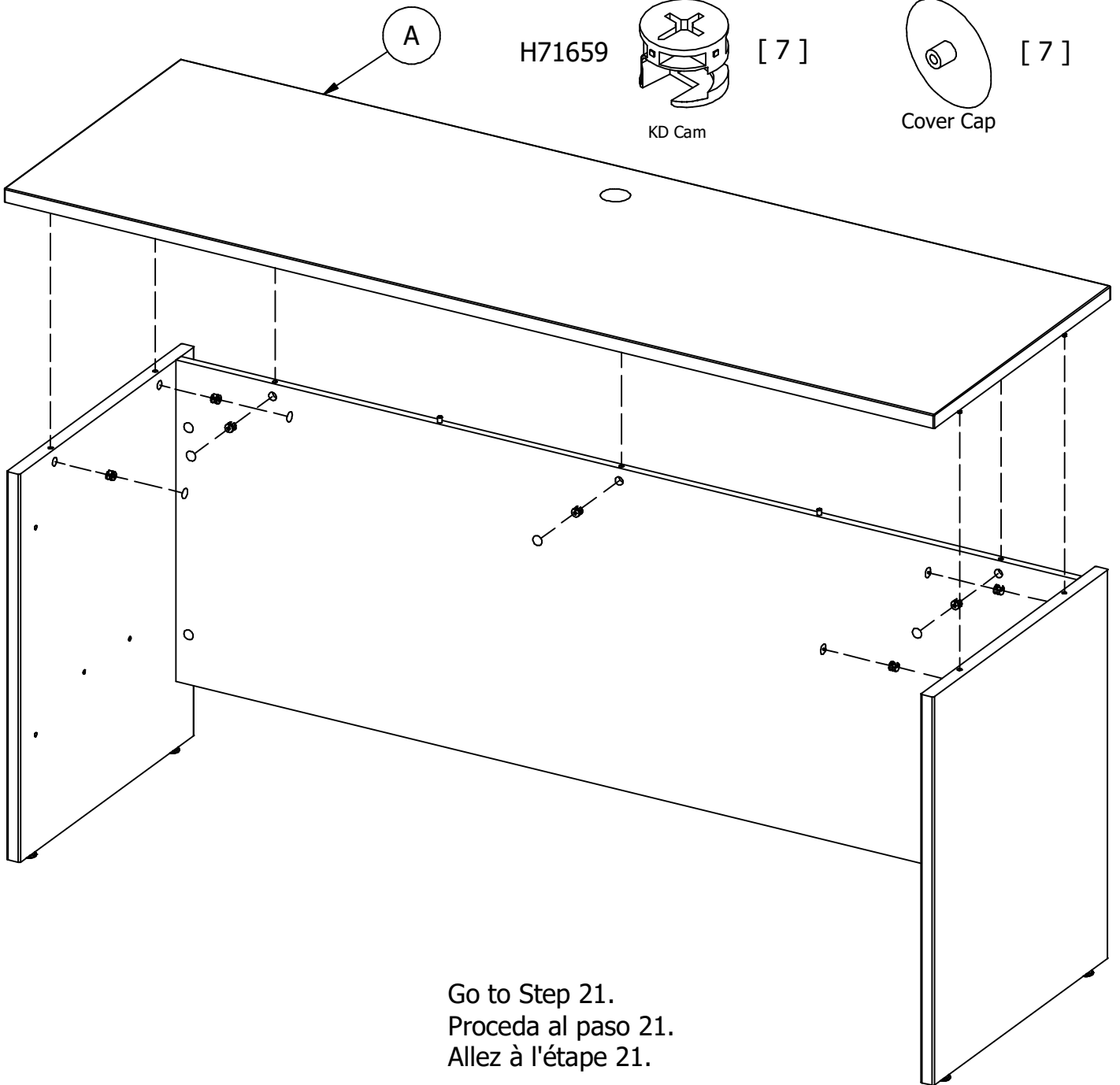
KD Cam

[ 7 ]



Cover Cap

[ 7 ]



Go to Step 21.  
Proceda al paso 21.  
Allez à l'étape 21.

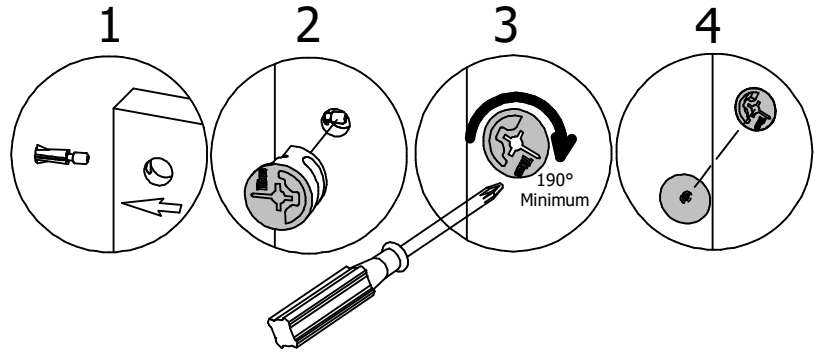
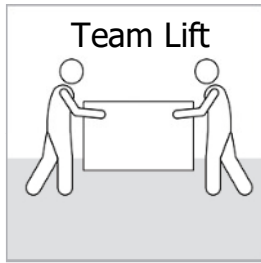
Have an assembly question or need a replacement part? Just call **1-800-950-4782**, we are here to help.



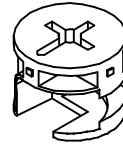
Scan QR Code to Watch Video on:



How to Tighten KD Cams

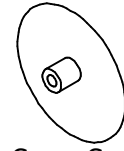


H71659



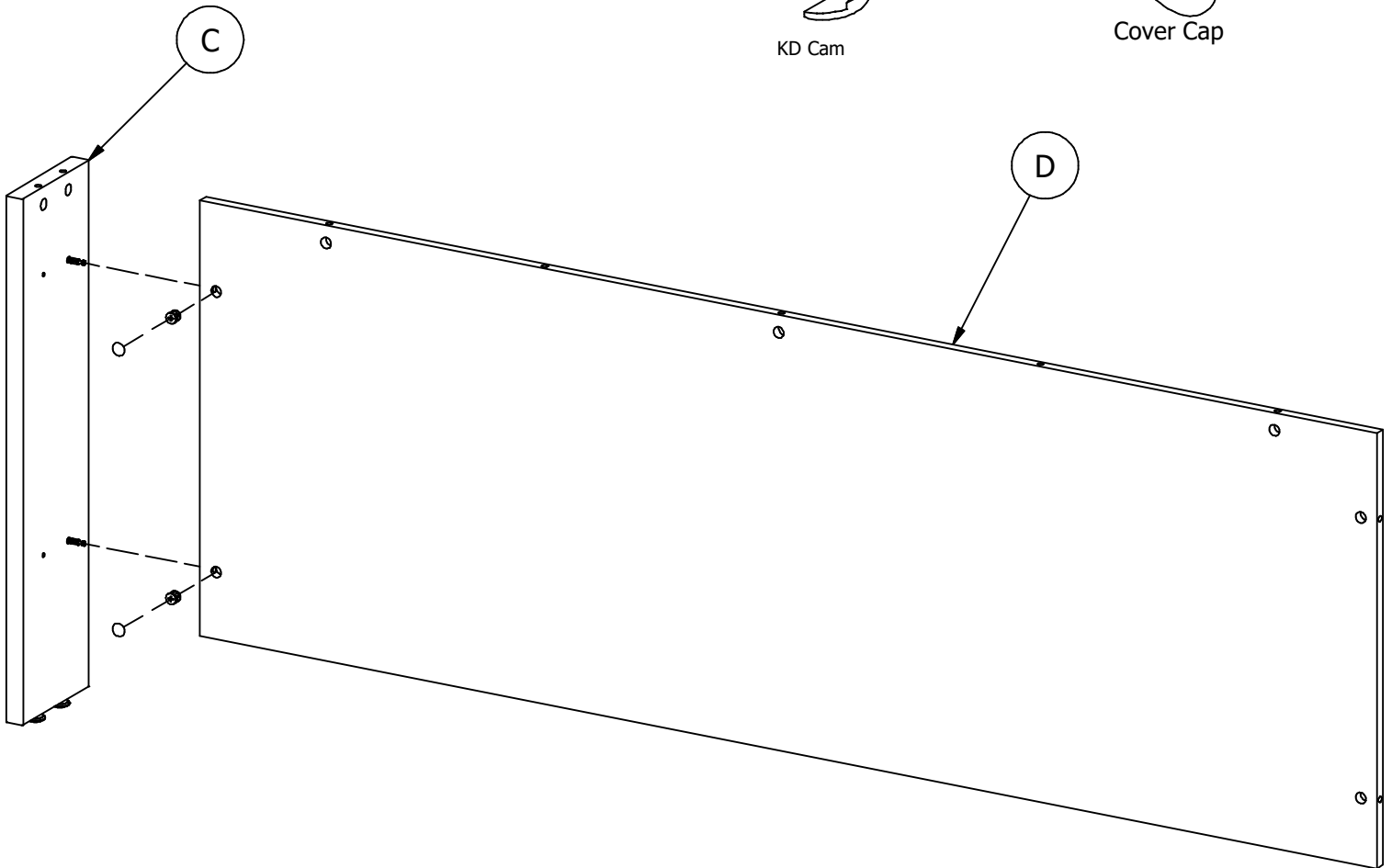
KD Cam

[ 2 ]



Cover Cap

[ 2 ]



Have an assembly question or need a replacement part? Just call **1-800-950-4782**, we are here to help.

# STEP 9

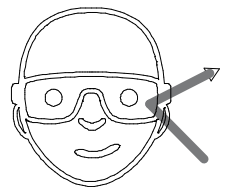
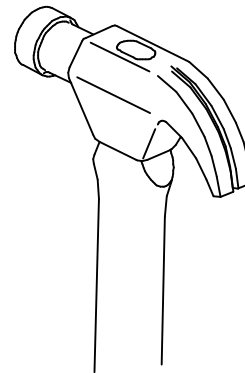
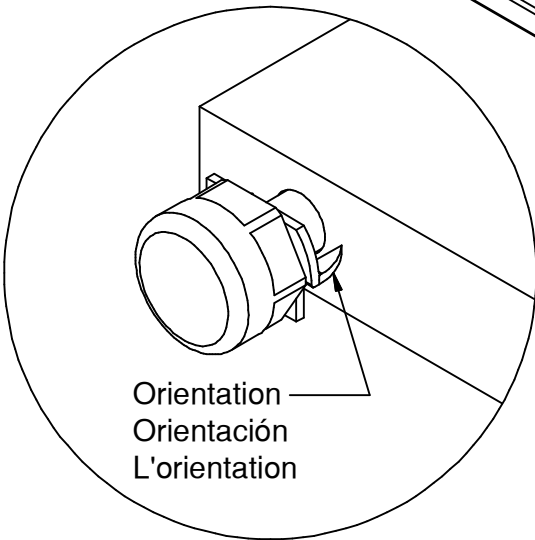
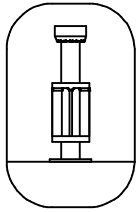
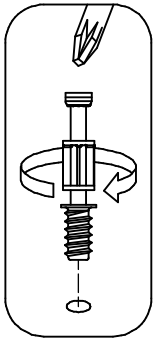
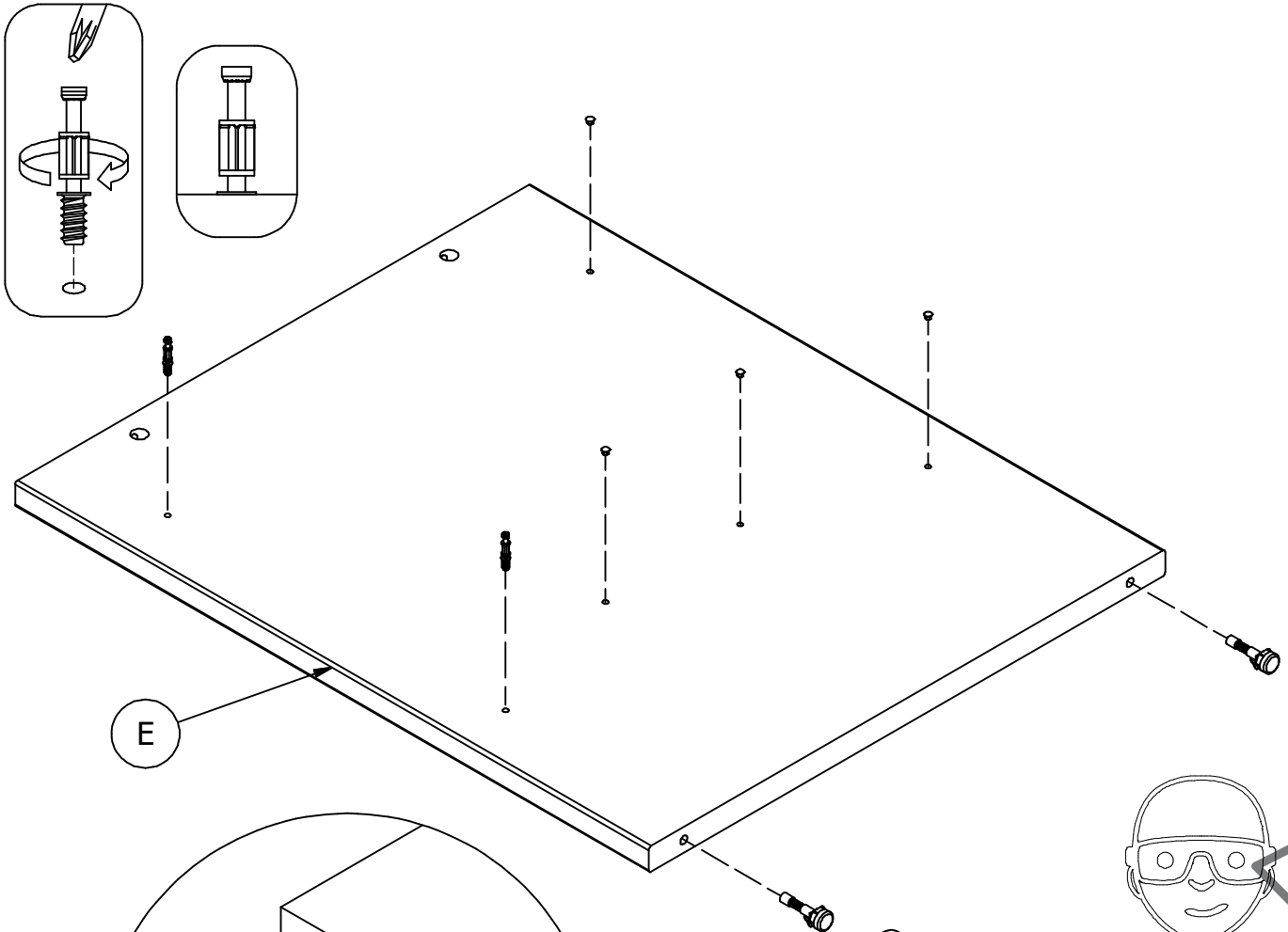
# Prepare Panel

A177062F

H72988 [ 2 ]  
KD Bolt

[ 4 ]  
5mm Hole Plug

H184043 [ 2 ]  
Leveler



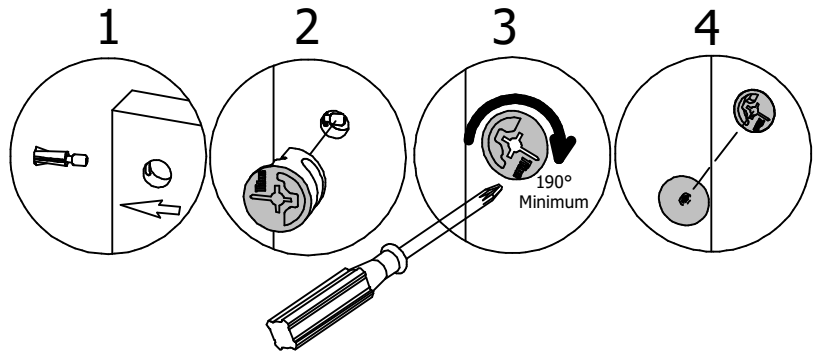
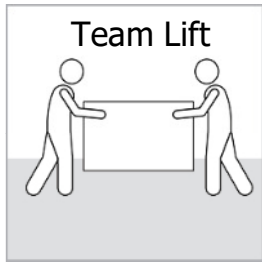
Safety glasses  
Gafas de seguridad  
Lunettes de protection


Have an assembly question or need a replacement part? Just call **1-800-950-4782**, we are here to help.


Scan QR Code to Watch Video on:

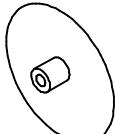


How to Tighten KD Cams

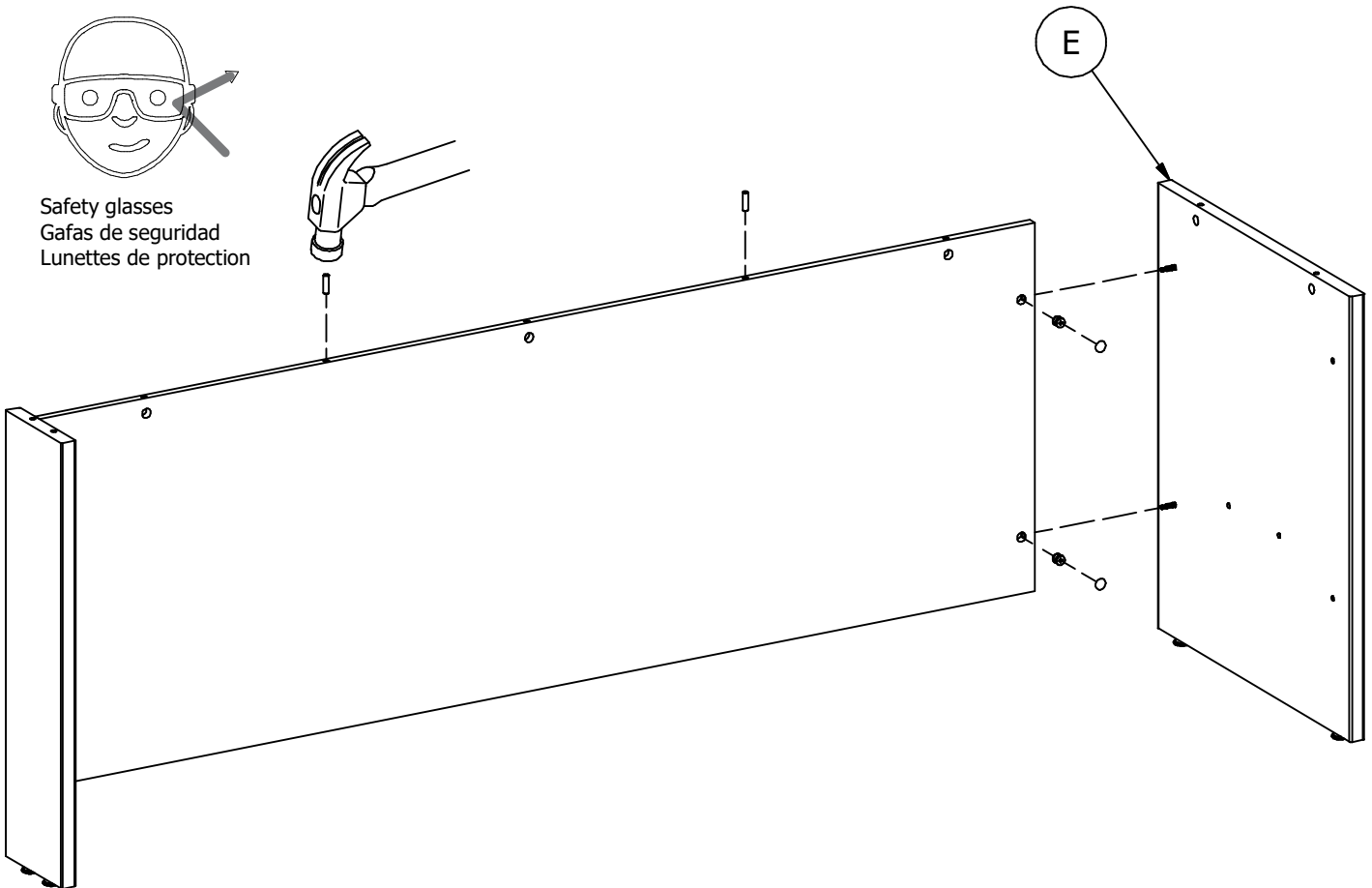


H38169  [ 2 ]  
Wood Dowel 8 x 30

H71659  [ 2 ]  
KD Cam

 [ 2 ]  
Cover Cap

  
Safety glasses  
Gafas de seguridad  
Lunettes de protection



Have an assembly question or need a replacement part? Just call **1-800-950-4782**, we are here to help.

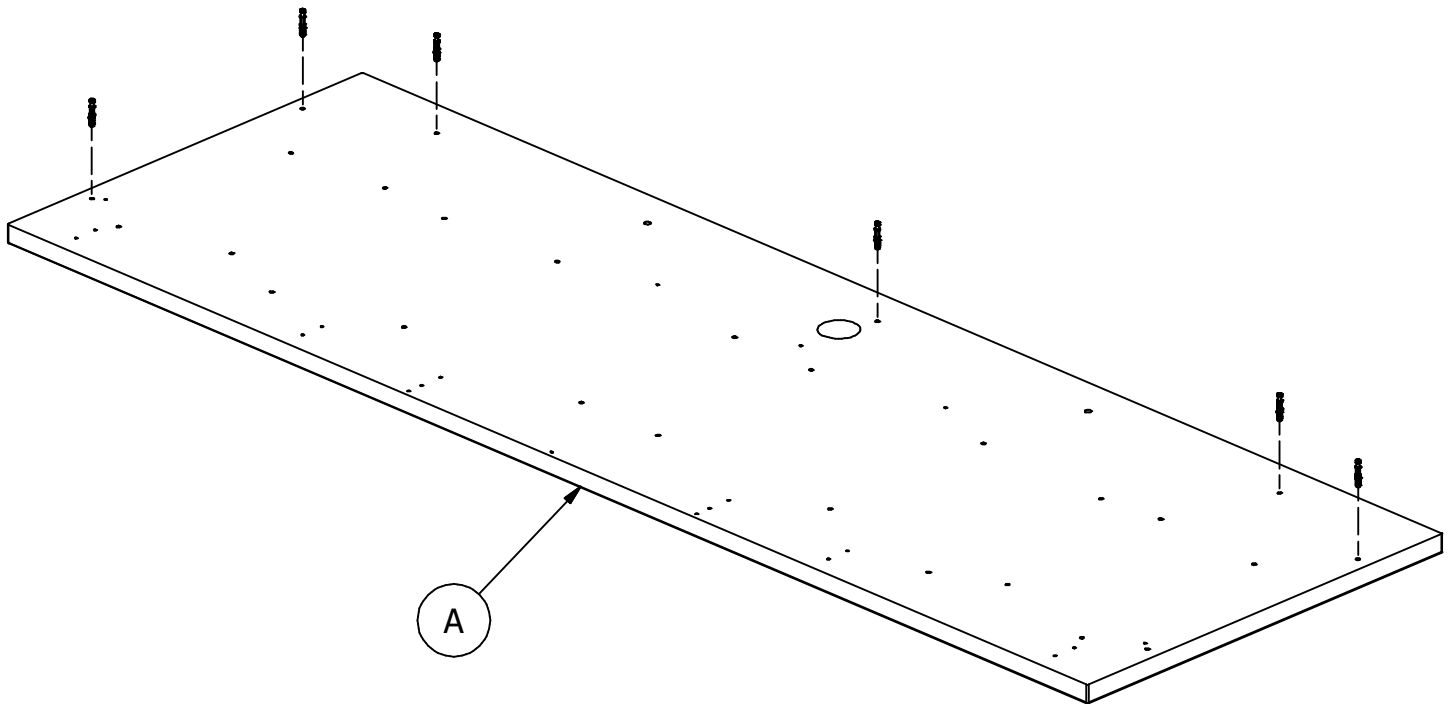
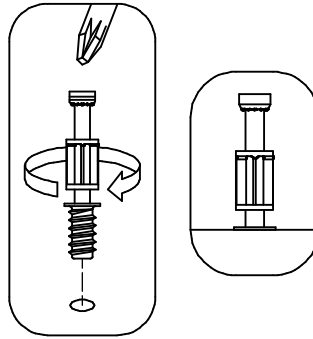


# STEP 11

# Prepare Panel

A177062F

H72988 [ 6 ]  
KD Bolt

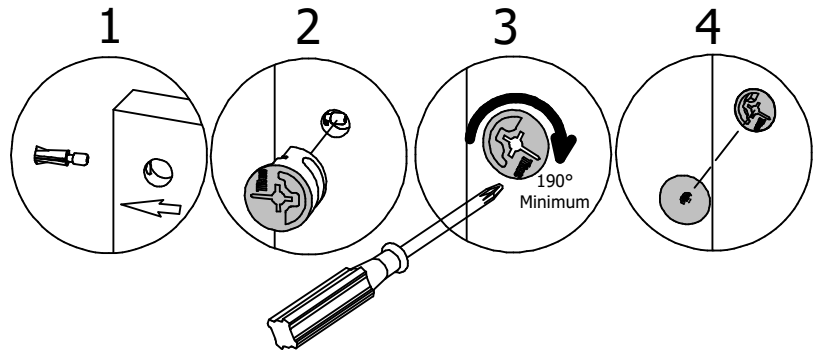
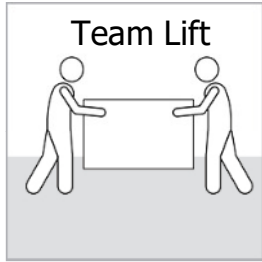


Have an assembly question or need a replacement part? Just call  
**1-800-950-4782**, we are here to help.

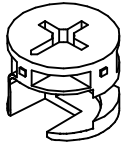
Scan QR Code to Watch Video on:



How to Tighten KD Cams

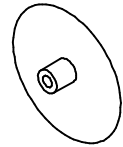


H71659



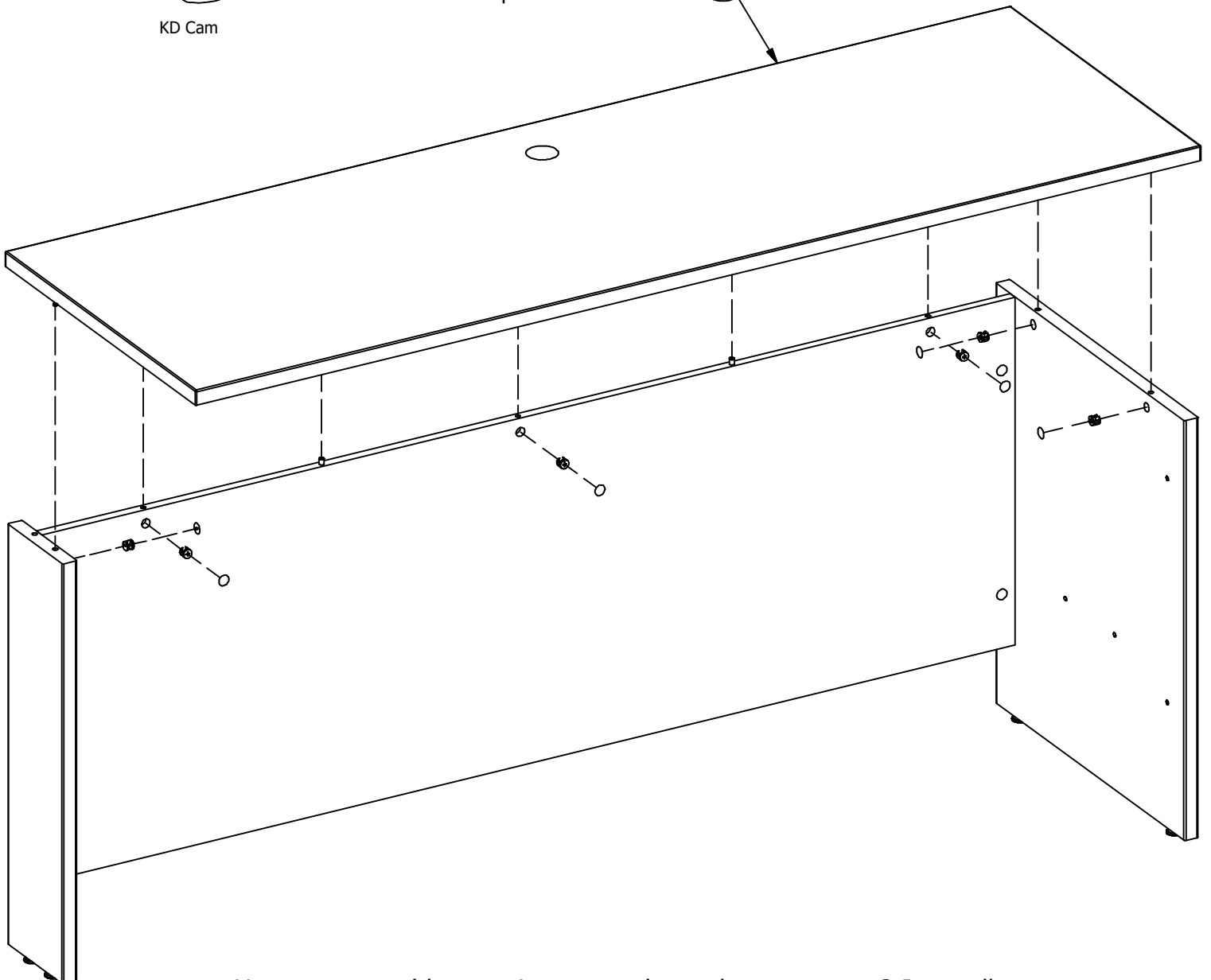
KD Cam

[ 6 ]

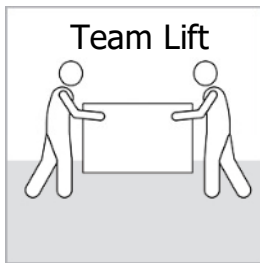


Cover Cap

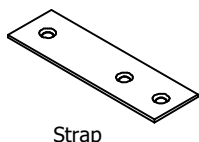
[ 6 ]



Have an assembly question or need a replacement part? Just call **1-800-950-4782**, we are here to help.

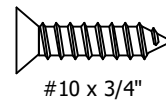


H92809



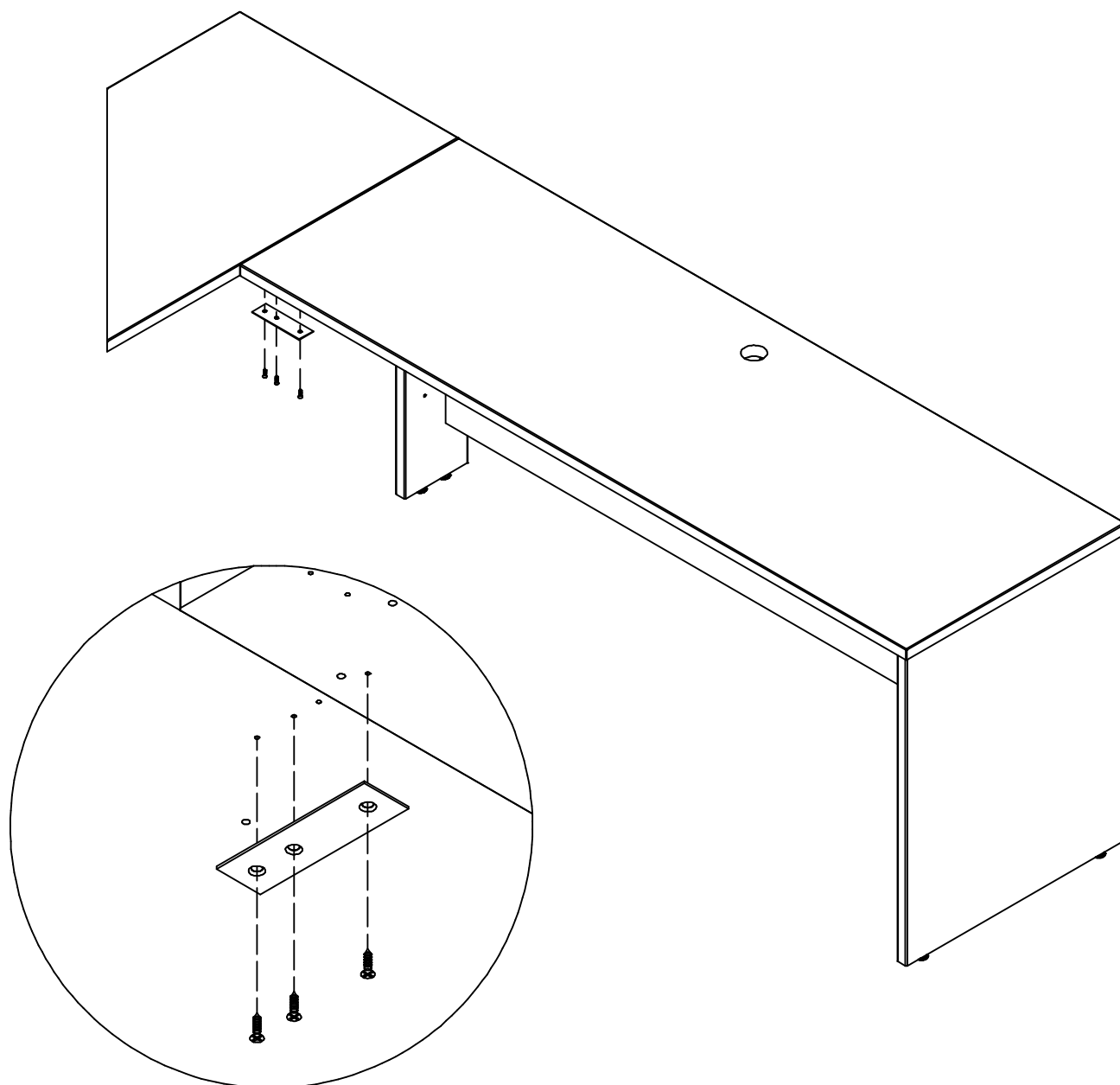
[ 1 ]

H92810



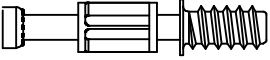
[ 3 ]

#10 x 3/4"

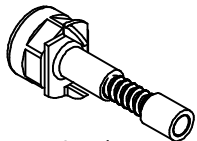


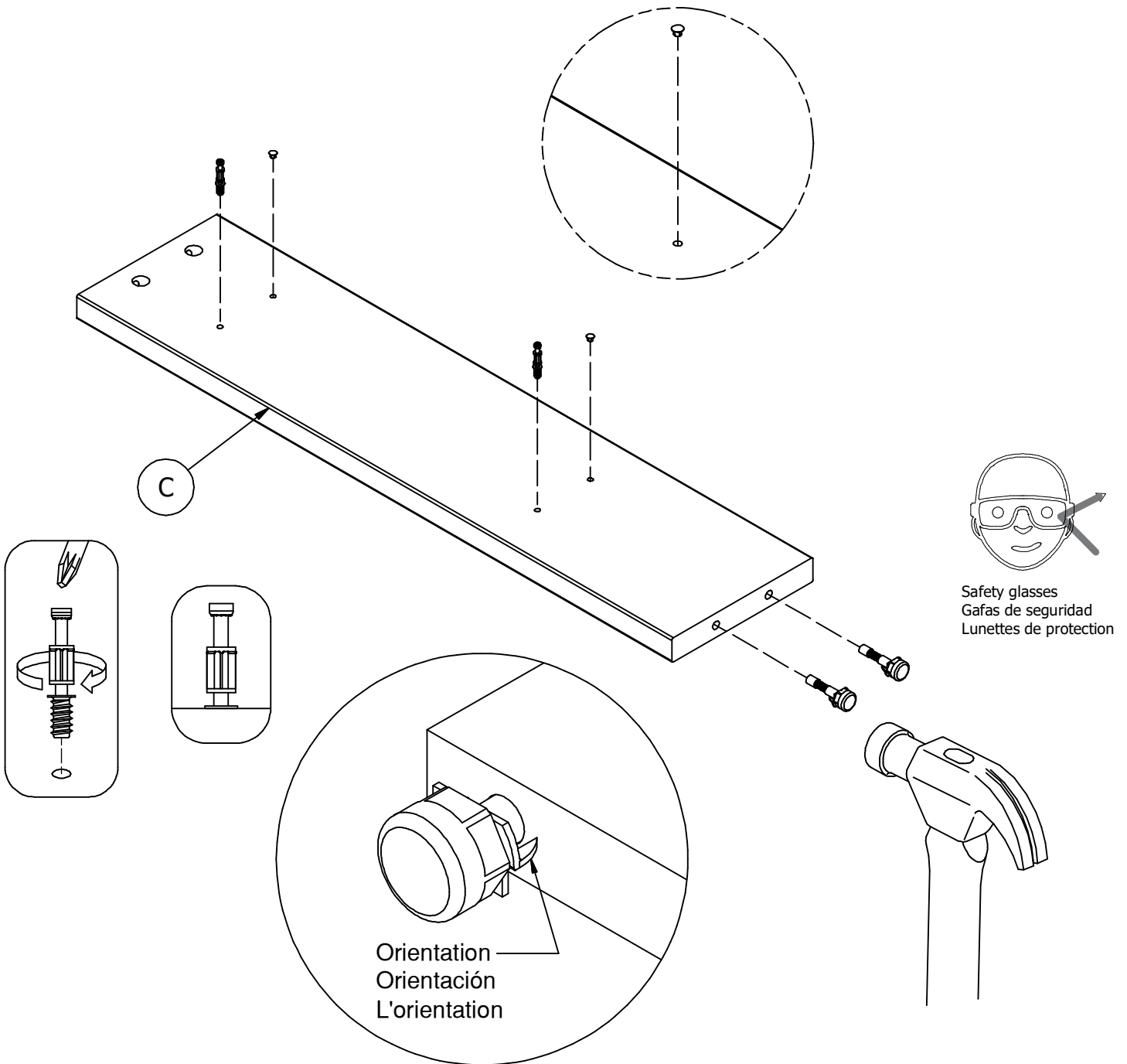
Go to Step 21.  
Proceda al paso 21.  
Allez à l'étape 21.

Have an assembly question or need a replacement part? Just call  
**1-800-950-4782**, we are here to help.

H72988  [ 2 ]  
KD Bolt

 [ 2 ]  
5mm Hole Plug

H184043  [ 2 ]  
Leveler

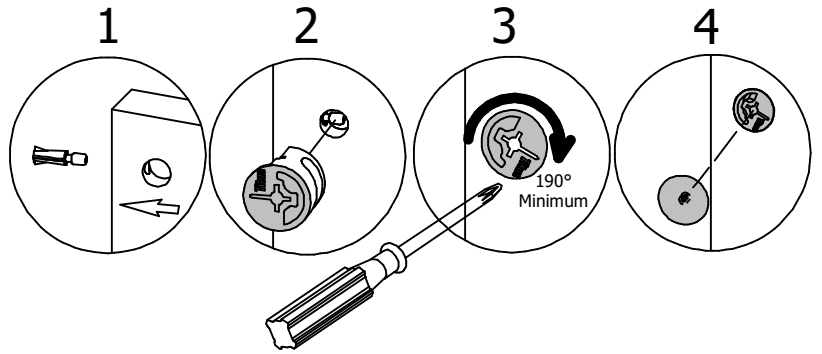
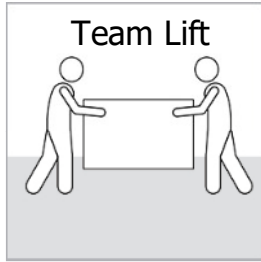


Have an assembly question or need a replacement part? Just call  
**1-800-950-4782**, we are here to help.

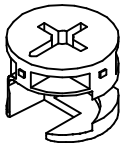
Scan QR Code to Watch Video on:



How to Tighten KD Cams

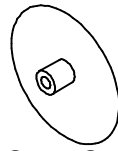


H71659



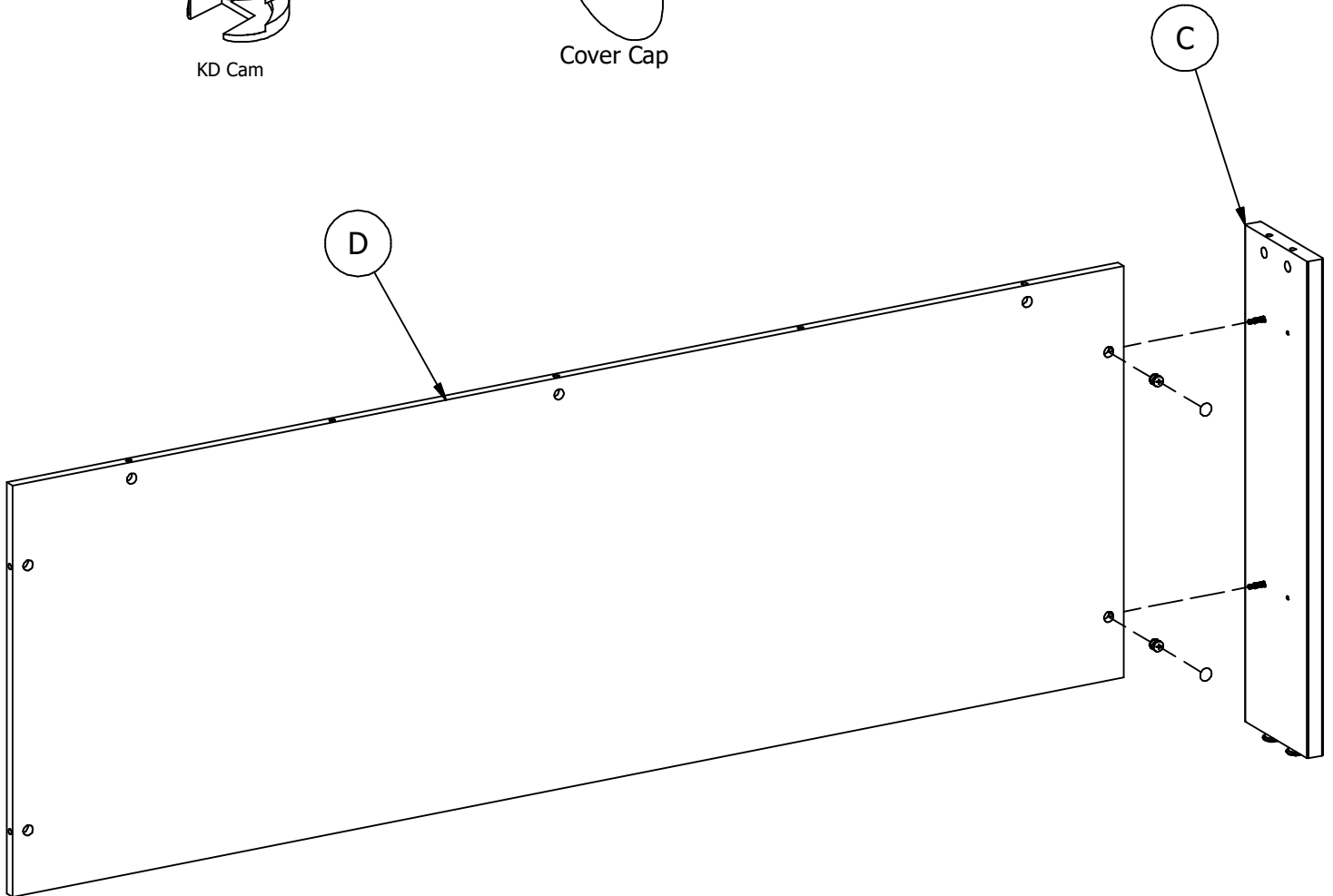
[ 2 ]

KD Cam



[ 2 ]

Cover Cap

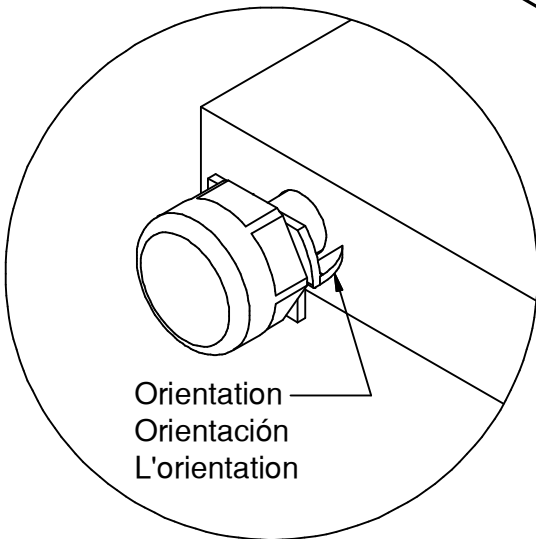
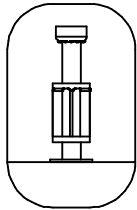
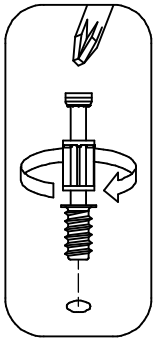
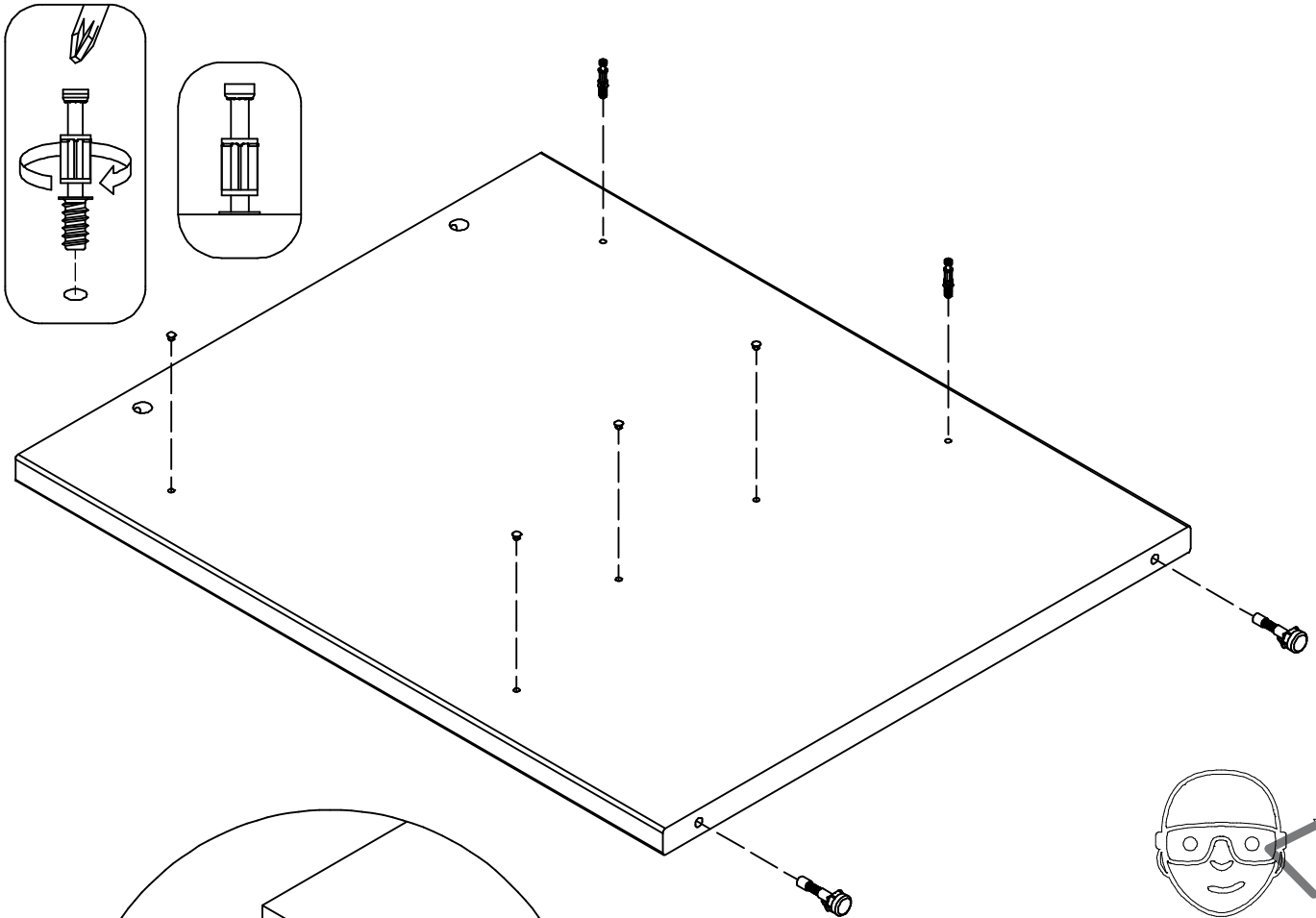


Have an assembly question or need a replacement part? Just call **1-800-950-4782**, we are here to help.

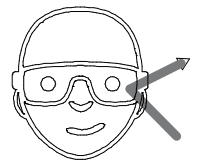
H72988 [ 2 ]  
KD Bolt

[ 4 ]  
5mm Hole Plug

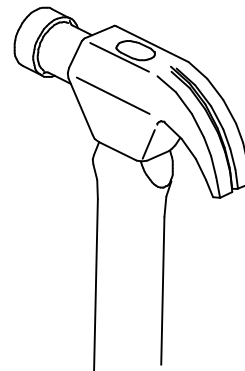
H184043 [ 2 ]  
Leveler



Orientation  
Orientación  
L'orientation



Safety glasses  
Gafas de seguridad  
Lunettes de protection

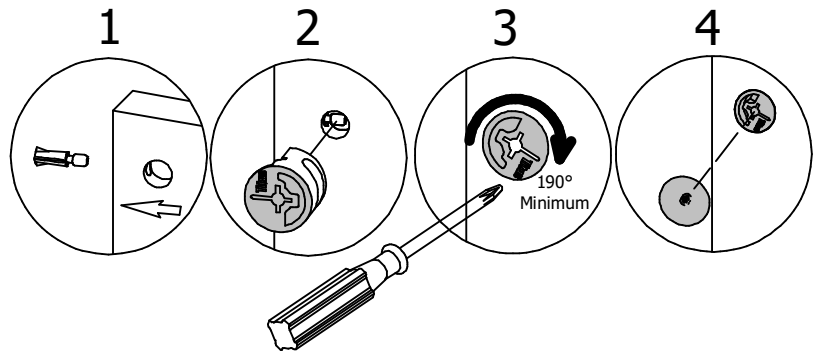
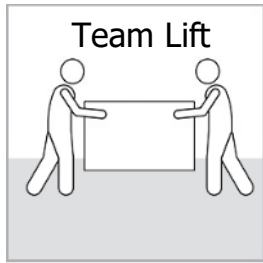


Have an assembly question or need a replacement part? Just call  
**1-800-950-4782**, we are here to help.

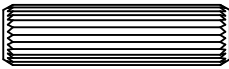
Scan QR Code to Watch Video on:



How to Tighten KD Cams



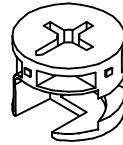
H38169



[ 2 ]

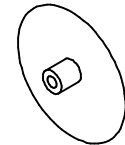
Wood Dowel 8 x 30

H71659



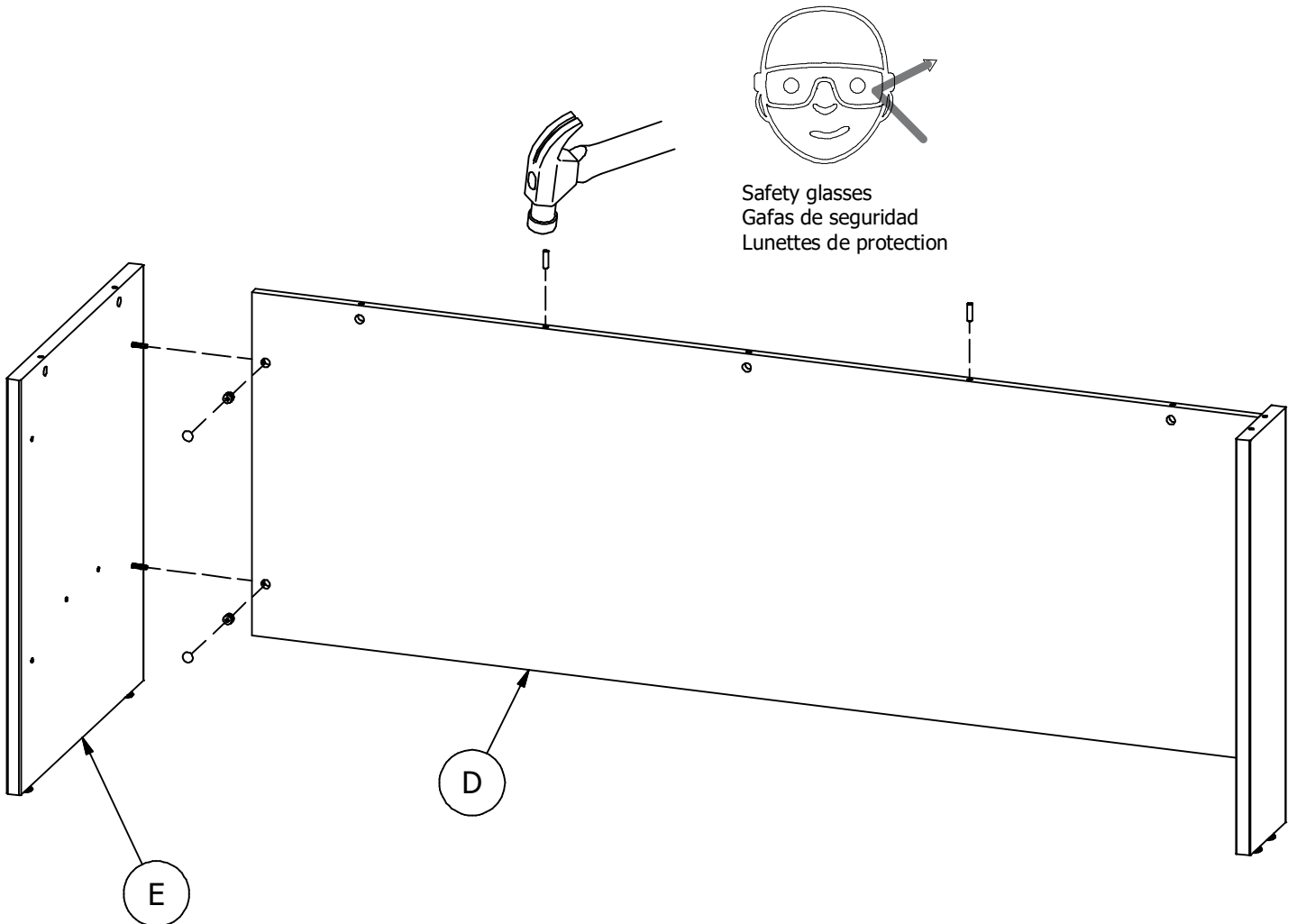
[ 2 ]

KD Cam




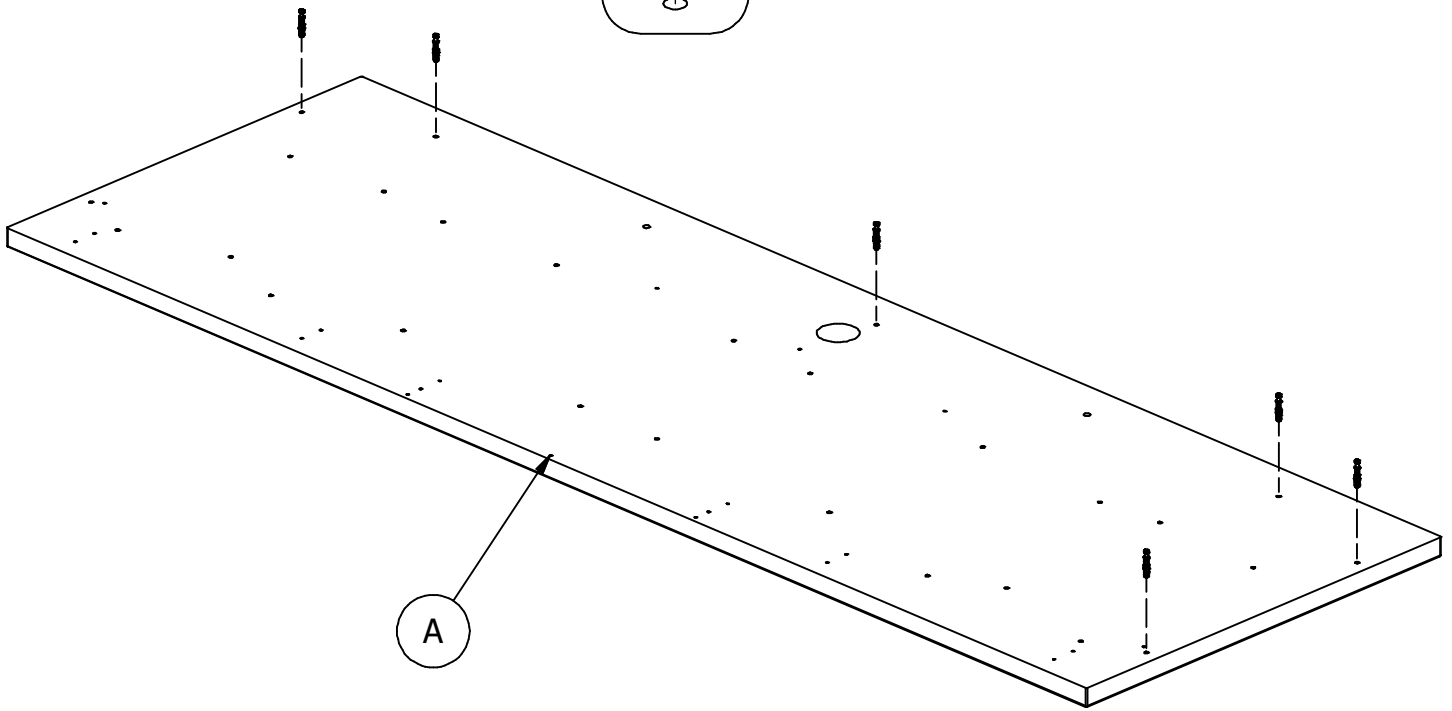
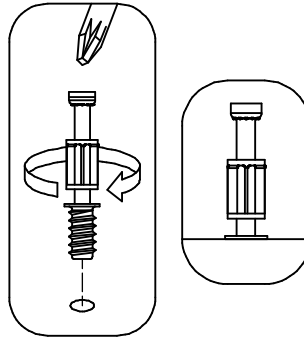
[ 2 ]

Cover Cap



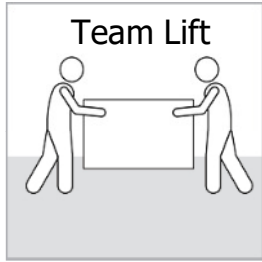
Have an assembly question or need a replacement part? Just call **1-800-950-4782**, we are here to help.

H72988  [ 6 ]  
KD Bolt

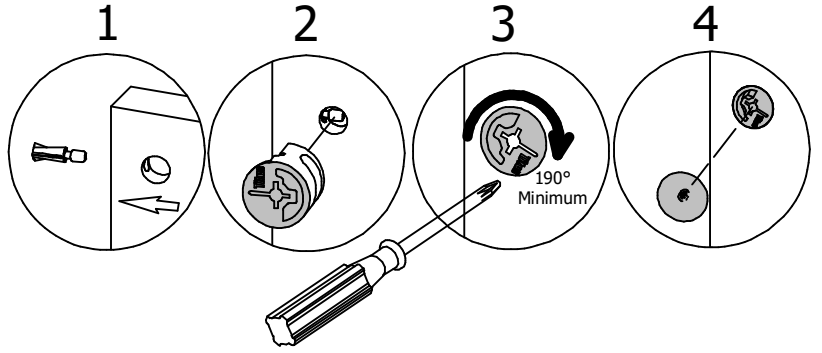




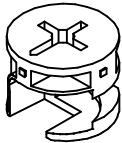
Scan QR Code to Watch Video on:



How to Tighten KD Cams

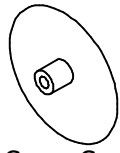


H71659



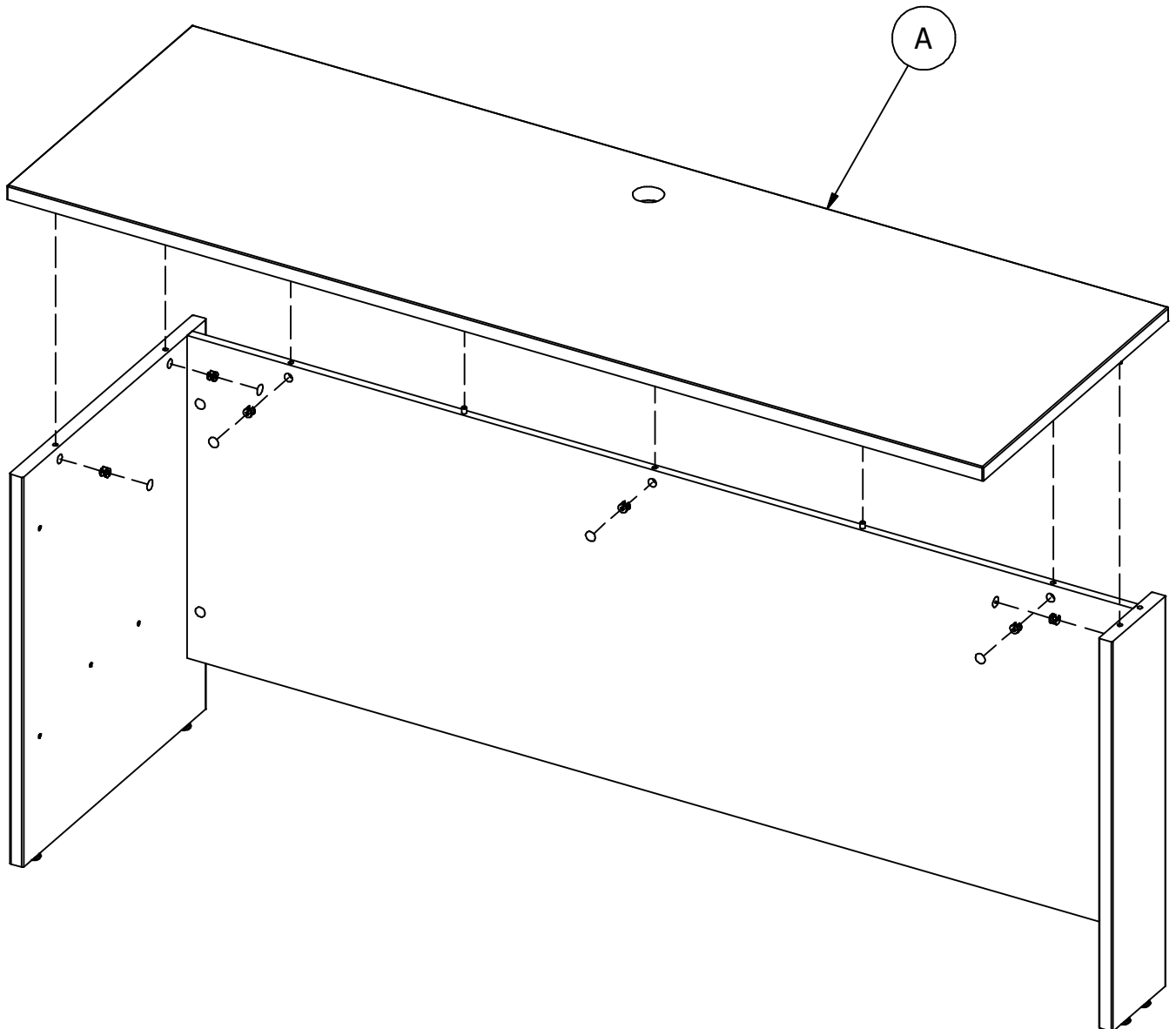
[ 6 ]

KD Cam

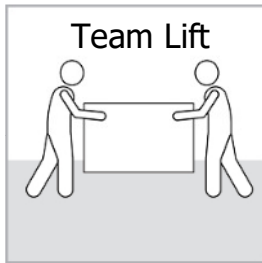


[ 6 ]

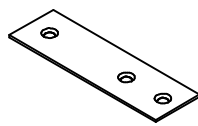
Cover Cap



Have an assembly question or need a replacement part? Just call **1-800-950-4782**, we are here to help.



H92809



Strap

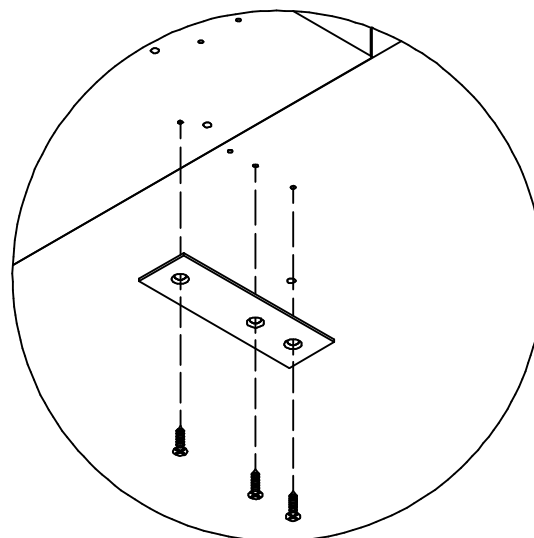
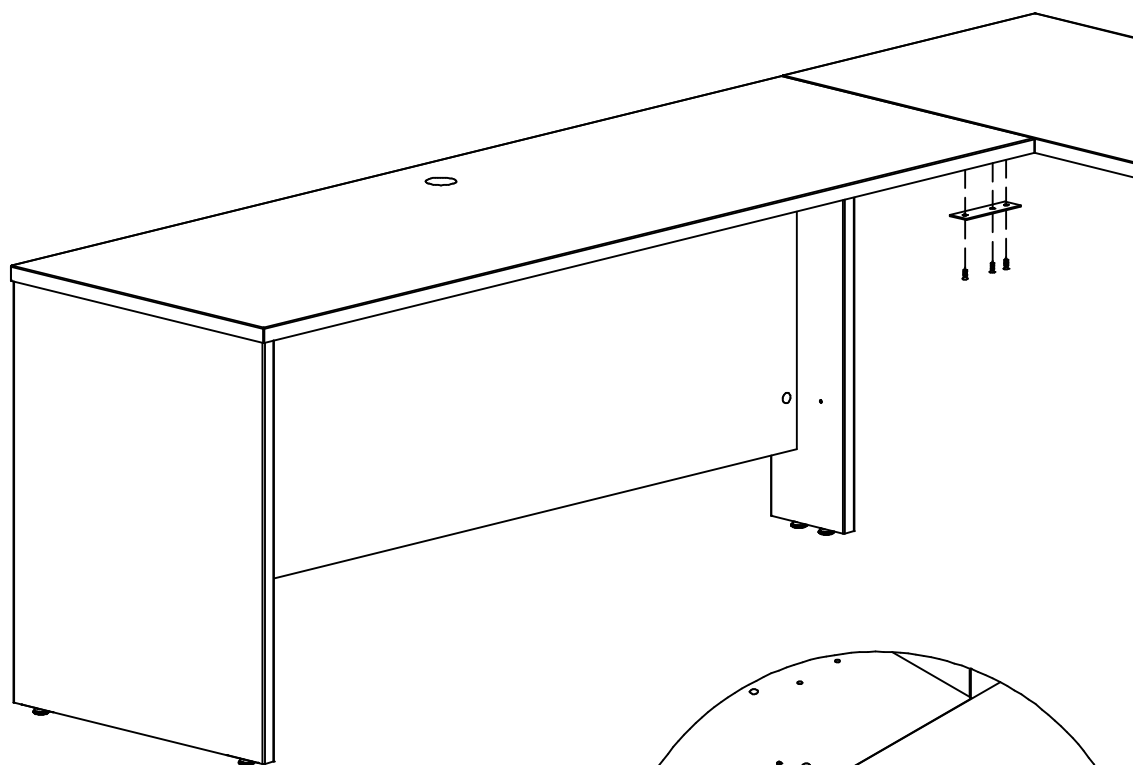
[ 1 ]

H92810



#10 x 3/4"

[ 3 ]



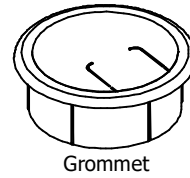
Have an assembly question or need a replacement part? Just call **1-800-950-4782**, we are here to help.

Scan QR Code to Watch Video on:



How to Clean the Surface

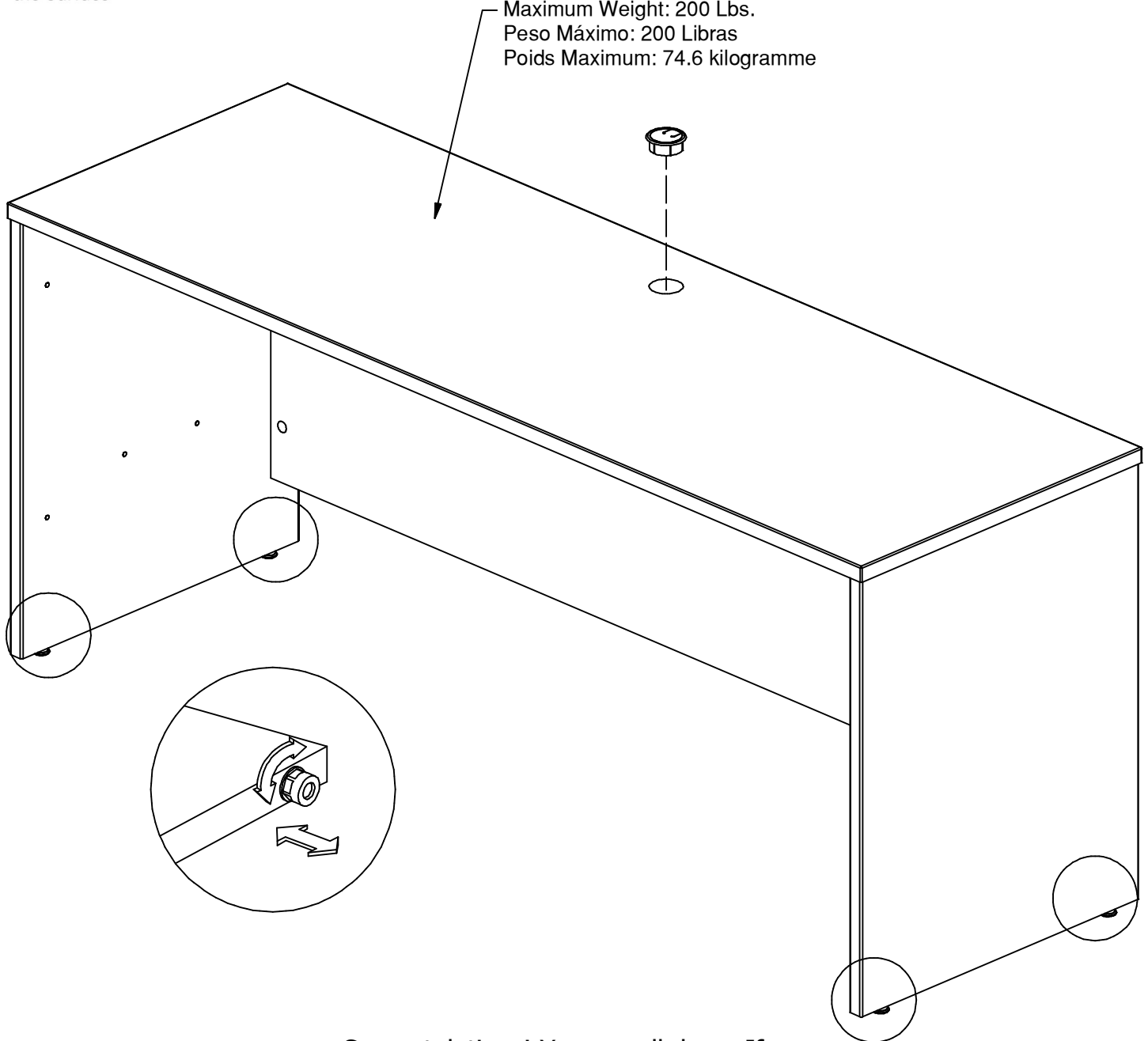
Gently clean surfaces with a damp sponge eraser.



[ 1 ]

Grommet

Maximum Weight: 200 Lbs.  
Peso Máximo: 200 Libras  
Poids Maximum: 74.6 kilogramme

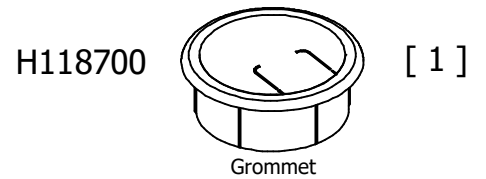
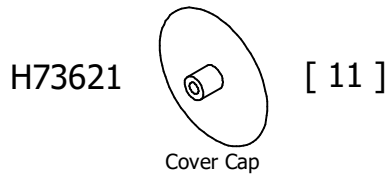


Congratulations! You are all done. If you have any questions or concerns, please call.

Have an assembly question or need a replacement part? Just call **1-800-950-4782**, we are here to help.

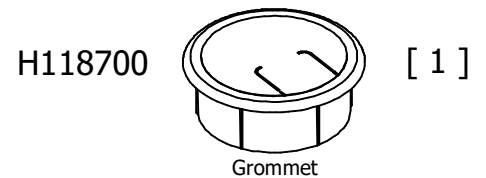
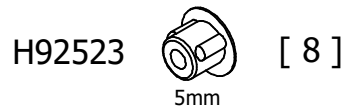
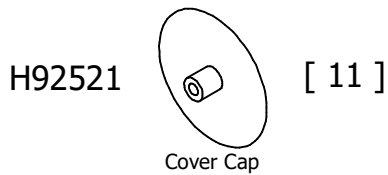
## WC12926

A	[ 1 ]	W177063
C	[ 1 ]	W186421
D	[ 1 ]	W177064
E	[ 2 ]	W186400



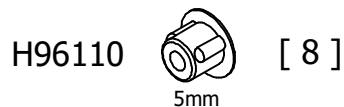
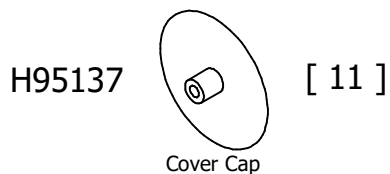
## WC24426

A	[ 1 ]	W176083
C	[ 1 ]	W186424
D	[ 1 ]	W177066
E	[ 2 ]	W186402



## WC24526

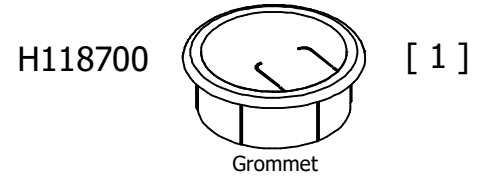
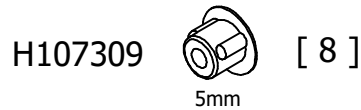
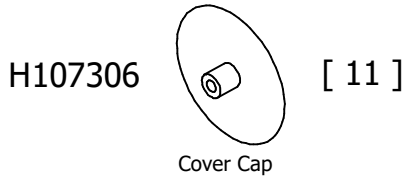
A	[ 1 ]	W176083
C	[ 1 ]	W186422
D	[ 1 ]	W176084
E	[ 2 ]	W186404



Have an assembly question or need a replacement part? Just call  
**1-800-950-4782**, we are here to help.

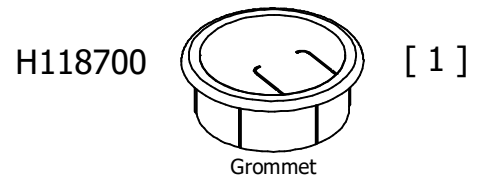
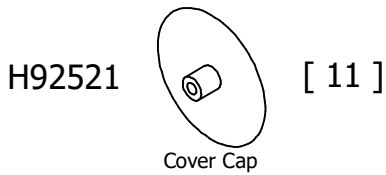
### WC36726

- A [ 1 ] W177067
- C [ 1 ] W186423
- D [ 1 ] W177068
- E [ 2 ] W186406



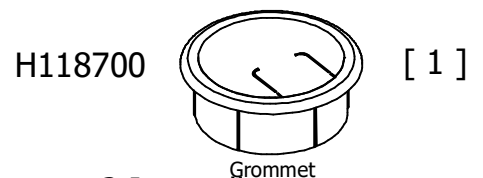
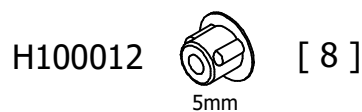
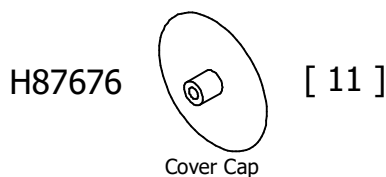
### WC48526

- A [ 1 ] W177069
- C [ 1 ] W186424
- D [ 1 ] W177066
- E [ 2 ] W186402



### WC60326

- A [ 1 ] W177070
- C [ 1 ] W186425
- D [ 1 ] W177071
- E [ 2 ] W186408

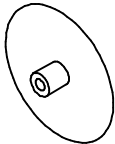


Have an assembly question or need a replacement part? Just call  
**1-800-950-4782**, we are here to help.

## WC67526

A	[ 1 ]	W177072
C	[ 1 ]	W186426
D	[ 1 ]	W177073
E	[ 2 ]	W186410

H147487



Cover Cap

[ 11 ]

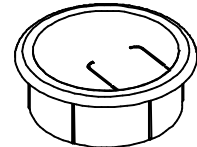
H154023



5mm

[ 8 ]

H118700



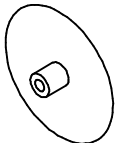
Grommet

[ 1 ]

## WC72426

A	[ 1 ]	W177074
C	[ 1 ]	W186424
D	[ 1 ]	W177066
E	[ 2 ]	W186402

H92521



Cover Cap

[ 11 ]

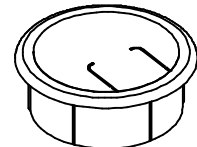
H92523



5mm

[ 8 ]

H118700



Grommet

[ 1 ]

## SCD372WH

A	[ 1 ]	W184346
C	[ 1 ]	W191879
D	[ 1 ]	W191873
E	[ 2 ]	W191878

H73619



Cover Cap

[ 11 ]

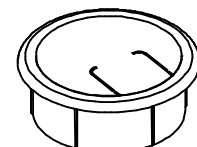
H184428



5mm

[ 8 ]

H184440



Grommet

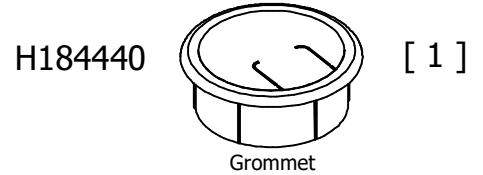
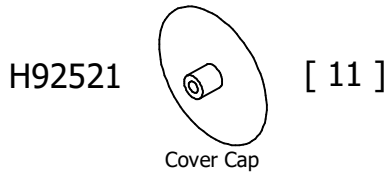
[ 1 ]

Have an assembly question or need a replacement part? Just call

**1-800-950-4782**, we are here to help.

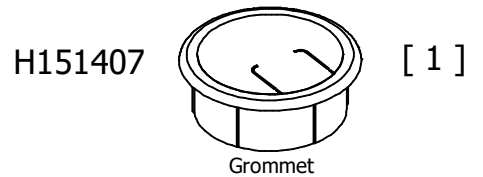
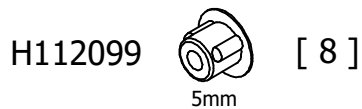
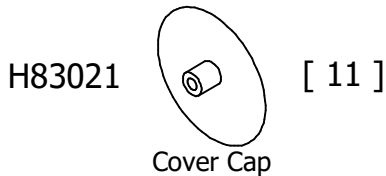
## SCD372SG

A	[ 1 ]	W184392
C	[ 1 ]	W189353
D	[ 1 ]	W189320
E	[ 2 ]	W189352



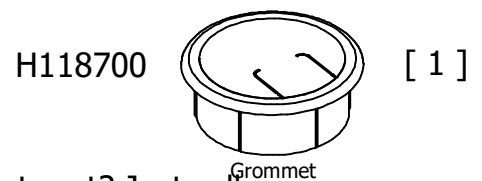
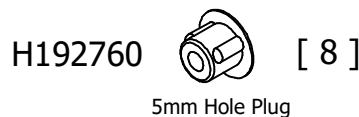
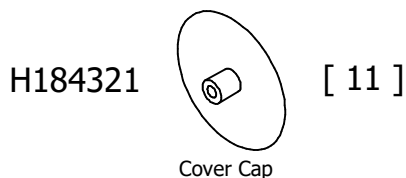
## SCD372PG

A	[ 1 ]	W191650
C	[ 1 ]	W191647
D	[ 1 ]	W191639
E	[ 2 ]	W191649



## SCD372CS

A	[ 1 ]	W189704
C	[ 1 ]	W189702
D	[ 1 ]	W189697
E	[ 2 ]	W189703

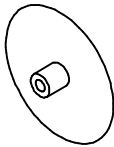


Have an assembly question or need a replacement part? Just call  
**1-800-950-4782**, we are here to help.

## SCD372AC

A	[ 1 ]	W189749
C	[ 1 ]	W189747
D	[ 1 ]	W189742
E	[ 2 ]	W189748

H163153



Cover Cap

[ 11 ]

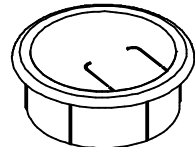
H100012



5mm

[ 8 ]

H118700



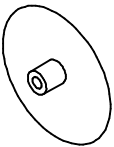
Grommet

[ 1 ]

## SCD372SO

A	[ 1 ]	W192826
C	[ 1 ]	W192824
D	[ 1 ]	W192819
E	[ 2 ]	W192825

H193368



Cover Cap

[ 11 ]

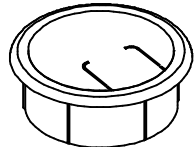
H193369



5mm Hole Plug

[ 8 ]

H151406



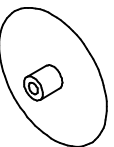
Grommet

[ 1 ]

## OFD272BW

A	[ 1 ]	W191811
C	[ 1 ]	W191814
D	[ 1 ]	W191812
E	[ 2 ]	W191813

H191633



Cover Cap

[ 11 ]

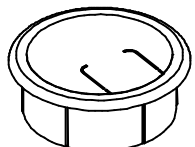
H63904



5mm Hole Plug

[ 8 ]

H118700



Grommet

[ 1 ]

Have an assembly question or need a replacement part? Just call

**1-800-950-4782**, we are here to help.



# OFD272MH

- A [ 1 ] W193107
- C [ 1 ] W193110
- D [ 1 ] W193108
- E [ 2 ] W193109

