


Transform-2 Table Assembly Instructions

Hardware:

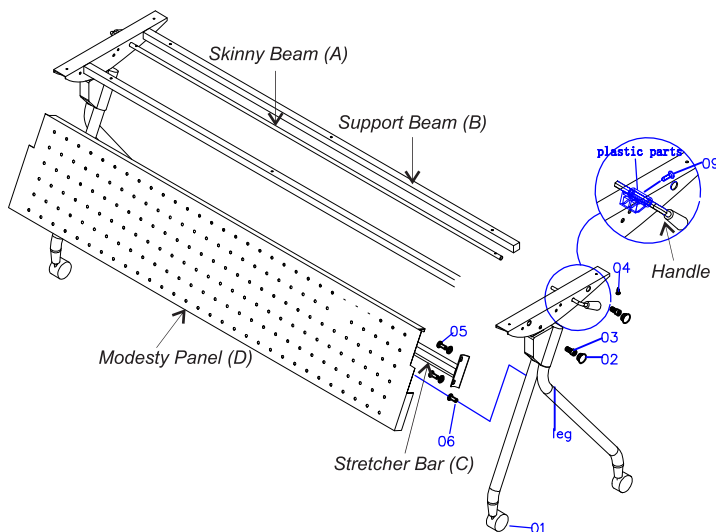
| | | | | | |
|----|-------------------------------|--------------------------|--------|-------------|---|
| 07 | Allen Key | 6MM | 1 pcs | |  |
| 06 | Phillips Head Bolt | M6x16 | 2 pcs | |  |
| 05 | Hexround Head Bolt and Washer | M8x20 | 4 pcs | Flat Washer |  |
| 04 | Phillips Head | 4x16 | 10 pcs | |  |
| 03 | Hex Head Bolt | M8x16 | 4 pcs | |  |
| 02 | Plastic Cover | 16 dia | 4 pcs | |  |
| 01 | Caster | 2 locking; 2 non-locking | 4 pcs | |  |
| 09 | Phillips Head Screw | 4x12 | 2 pcs | |  |
| 08 | Allen Key | 5MM | 1 pcs | |  |
| 10 | Wrench | #14 | 1 pcs | |  |

Tools Needed:

- 1) Impact drill
- 2) #3 Phillips bit
- 3) 13mm flat wrench (for casters)
- 4) Allen keys (provided)
- 5) Safety glasses

If you are missing parts or have any questions, please call Customer Service at 888.705-0777.

Base Assembly:



Instructions

Base Assembly:

- 1) Remove tape from the end of the hexagonal shaped mechanism handle that runs thru each leg.
- 2) Insert the hex shaped end of each handle into the skinny support beam (A) and apply pressure.
- 3) Align stretcher bar (C) with holes in the legs and assemble with (# 05) bolts and washers.
- 4) Attach two thicker support beams (B) to the legs with (# 03) bolts, making sure that the large drilled holes are facing down toward the floor and the smaller drilled holes are facing up.
- 5) Place plastic screw covers (# 02) over holes used to install (# 03) bolts.
- 6) Install casters (# 01) using (#10) wrench.
- 7) Attach the modesty panel (D) to stretcher bar using hooks on panel. Attach with screws (# 09).

Table Assembly:

- 1) Lay table top upside down on cardboard or carpeted surface.
- 2) Position the base to align with the pre-drilled holes in the table top. Make sure and use all the holes.
- 3) Use impact drill with a #3 Phillips bit to install wood screws through the base into table top. Fully tighten screws.
- 4) Hold onto the edge of the top, carefully turn the table over in the upright position. Wipe off the top and the base with a soft clean cloth. Enjoy your table!



START BOLTS BY HAND TO PREVENT CROSS THREADING