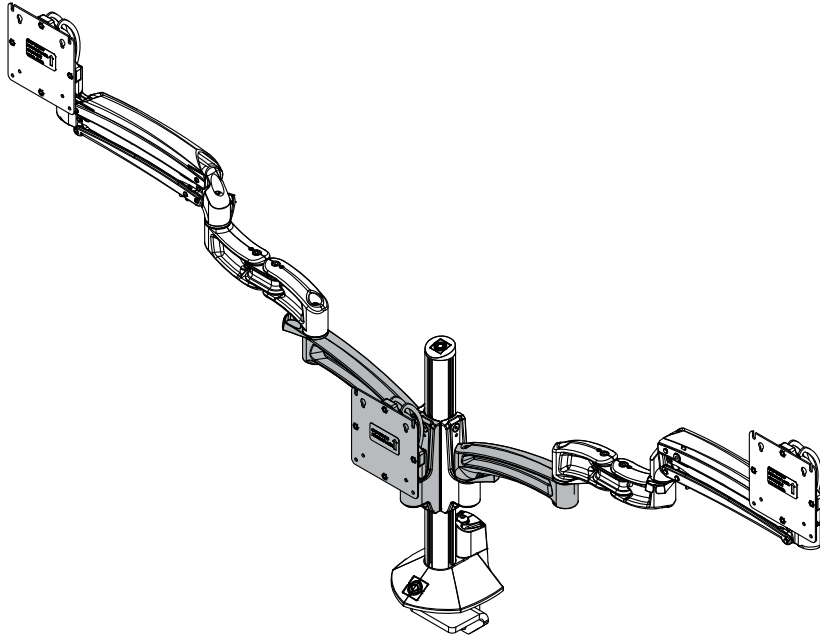


---

# INSTALLATION INSTRUCTIONS

---



---

## Mount, Monitor, 3-Screen, Kit

---

## DISCLAIMER

Lorell and its affiliated corporations and subsidiaries (collectively "Lorell"), intend to make this manual accurate and complete. However, Lorell makes no claim that the information contained herein covers all details, conditions or variations, nor does it provide for every possible contingency in connection with the installation or use of this product. The information contained in this document is subject to change without notice or obligation of any kind. Lorell makes no representation of warranty, expressed or implied, regarding the information contained herein. Lorell assumes no responsibility for accuracy, completeness or sufficiency of the information contained in this document.

## DEFINITIONS

**MOUNTING SYSTEM:** A MOUNTING SYSTEM is the primary Lorell product to which an accessory and/or component is attached.

**ACCESSORY:** AN ACCESSORY is the secondary Lorell product which is attached to a primary Lorell product, and may have a component attached or setting on it.

**COMPONENT:** A COMPONENT is an audiovisual item designed to be attached or resting on an accessory or mounting system such as a video camera, CPU, screen, display, projector, etc.



**WARNING:** A WARNING alerts you to the possibility of serious injury or death if you do not follow the instructions.



**CAUTION:** A CAUTION alerts you to the possibility of damage or destruction of equipment if you do not follow the corresponding instructions.



## IMPORTANT SAFETY INSTRUCTIONS!



**WARNING:** Failure to read, thoroughly understand, and follow all instructions can result in serious personal injury, damage to equipment, or voiding of factory warranty! It is the installer's responsibility to make sure all mounting systems are properly assembled and installed using the instructions provided.



**WARNING:** Failure to provide adequate structural strength for this accessory can result in serious personal injury or damage to equipment! It is the installer's responsibility to make sure the structure to which this accessory is attached can support five times the combined weight of all equipment. Reinforce the structure as required before installing the accessory.



**WARNING:** Use this accessory only for its intended use as described in these instructions. Do not use attachments not recommended by the manufacturer.



**WARNING:** Do NOT use LLR03188 arm extensions to create mounting arms greater than three links long!



**WARNING:** Do not use this product outdoors.



**WARNING:** Never operate this accessory if it is damaged. Return the accessory to a service center for examination and repair.



**WARNING:** Exceeding the weight capacity can result in serious personal injury or damage to equipment! It is the installer's responsibility to make sure the combined weight of all components attached to the LLR03188 extension arms and extreme tilt column mount accessory up to (and including) the displays does not exceed the weight limits listed in the table below. In addition, when the LLR03188 accessory is attached to a LLR03187 mounting system, the listed weight capacity of that assembly becomes the weight capacity listed in Table 1.

**Table 1: Weight Capacity**

MODEL (Original mounting system)	Max Weight Allowed for <u>EACH</u> Display	Max Weight Capacity of Mount
LLR03187	20 lbs (9.1 kg) (for original mount)	60 lbs (27.2 kg) (total of <u>ALL</u> displays)

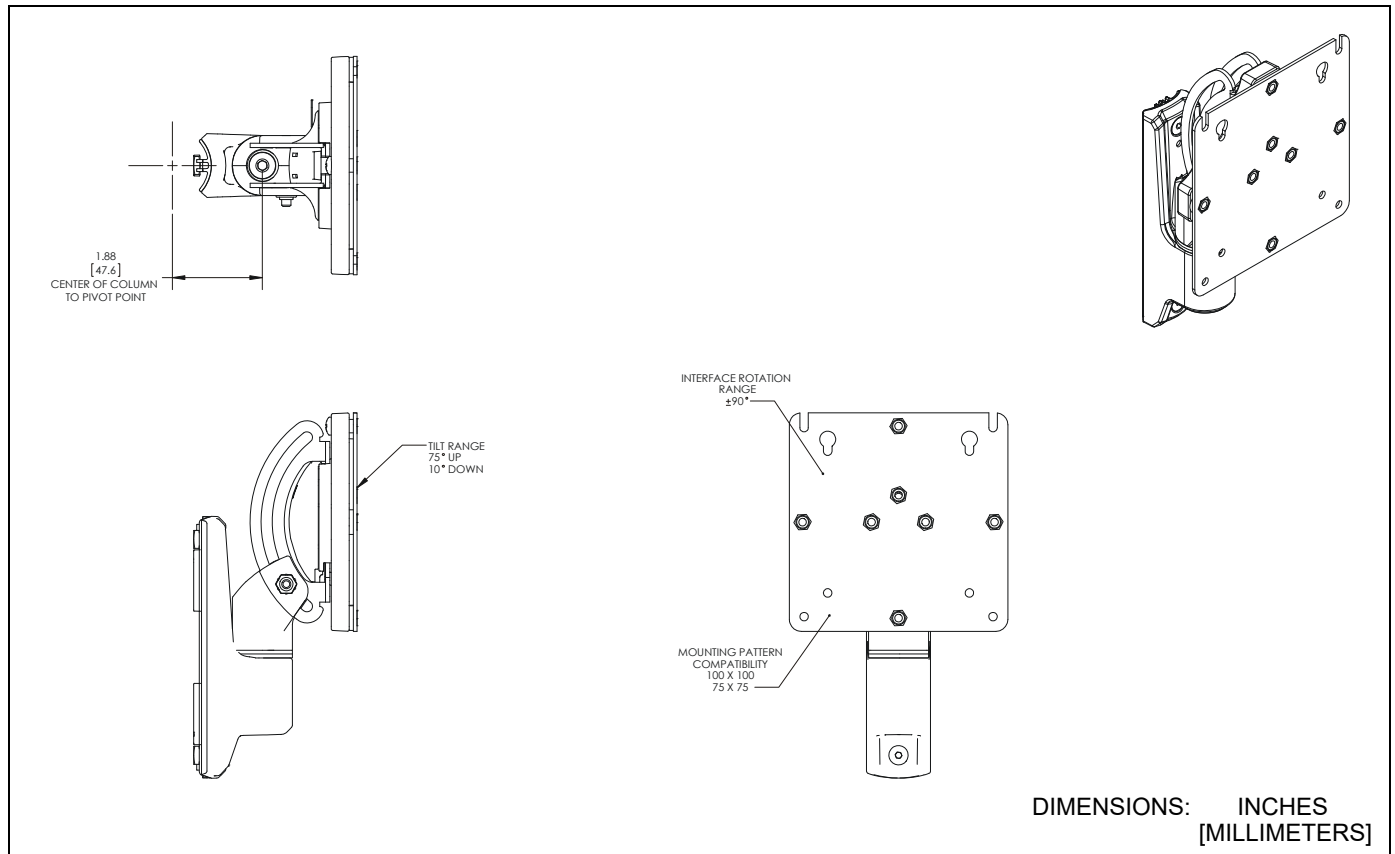
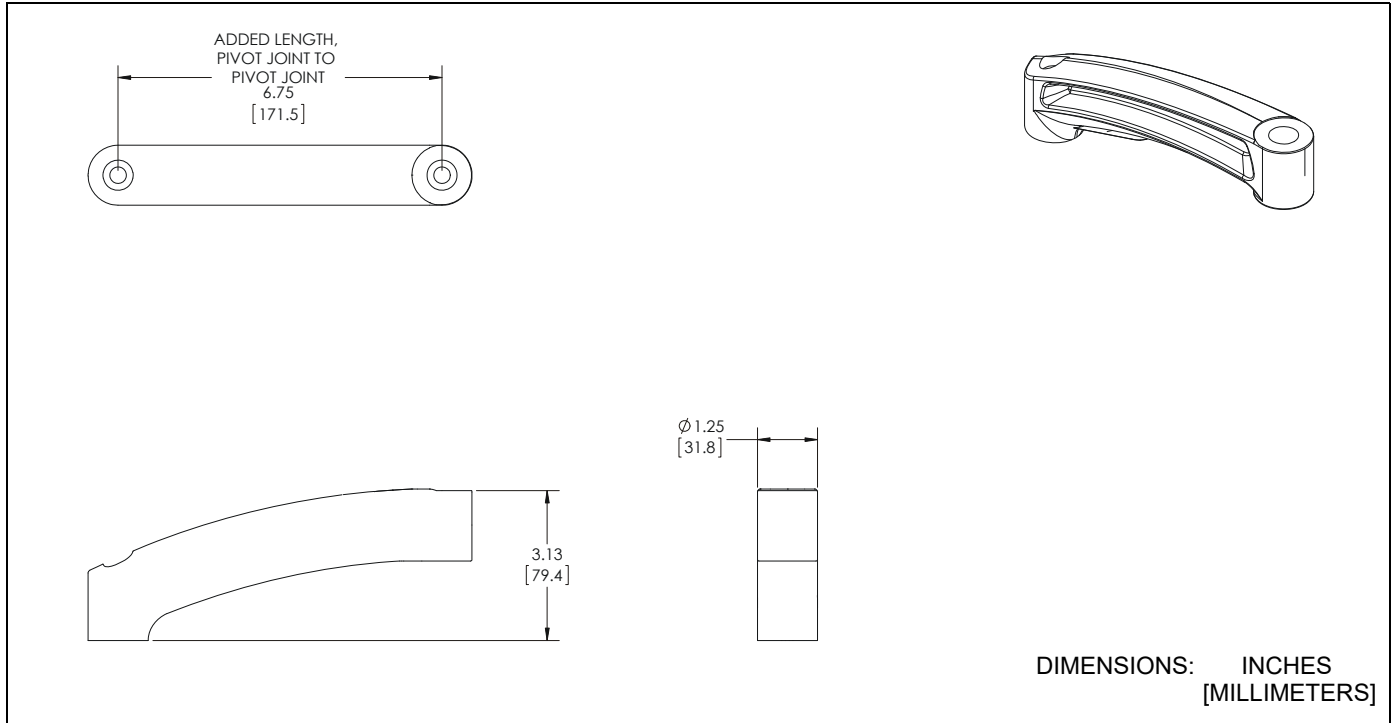
**NOTE:** The total of 60 lbs (9.1 kg) must be evenly distributed between displays.

**NOTE:** 20 lbs (9.1 kg) maximum individual display weight.

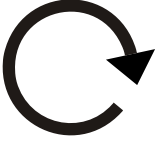

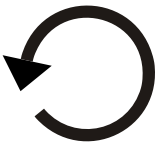









**IMPORTANT ! :** The LLR03188 accessory is designed to expand the LLR03187 to support three monitors.

**--SAVE THESE INSTRUCTIONS!--**

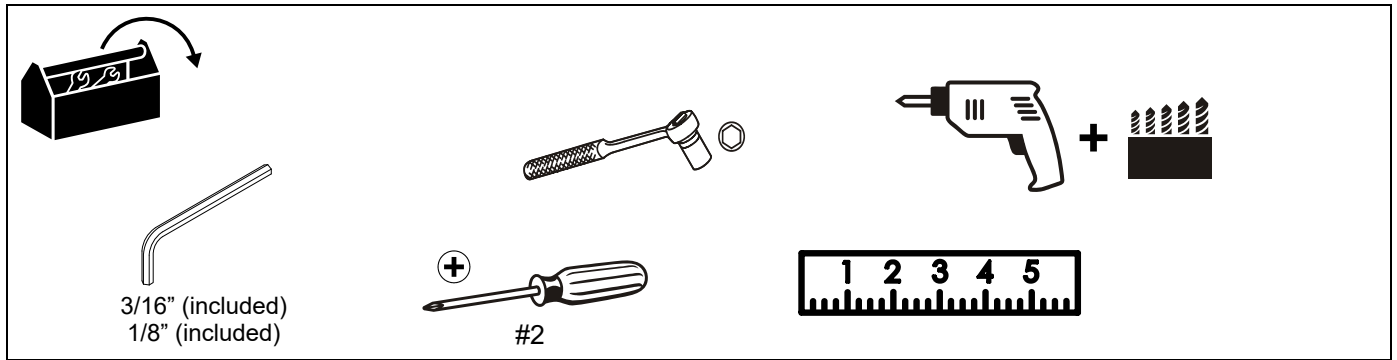
**DIMENSIONS**



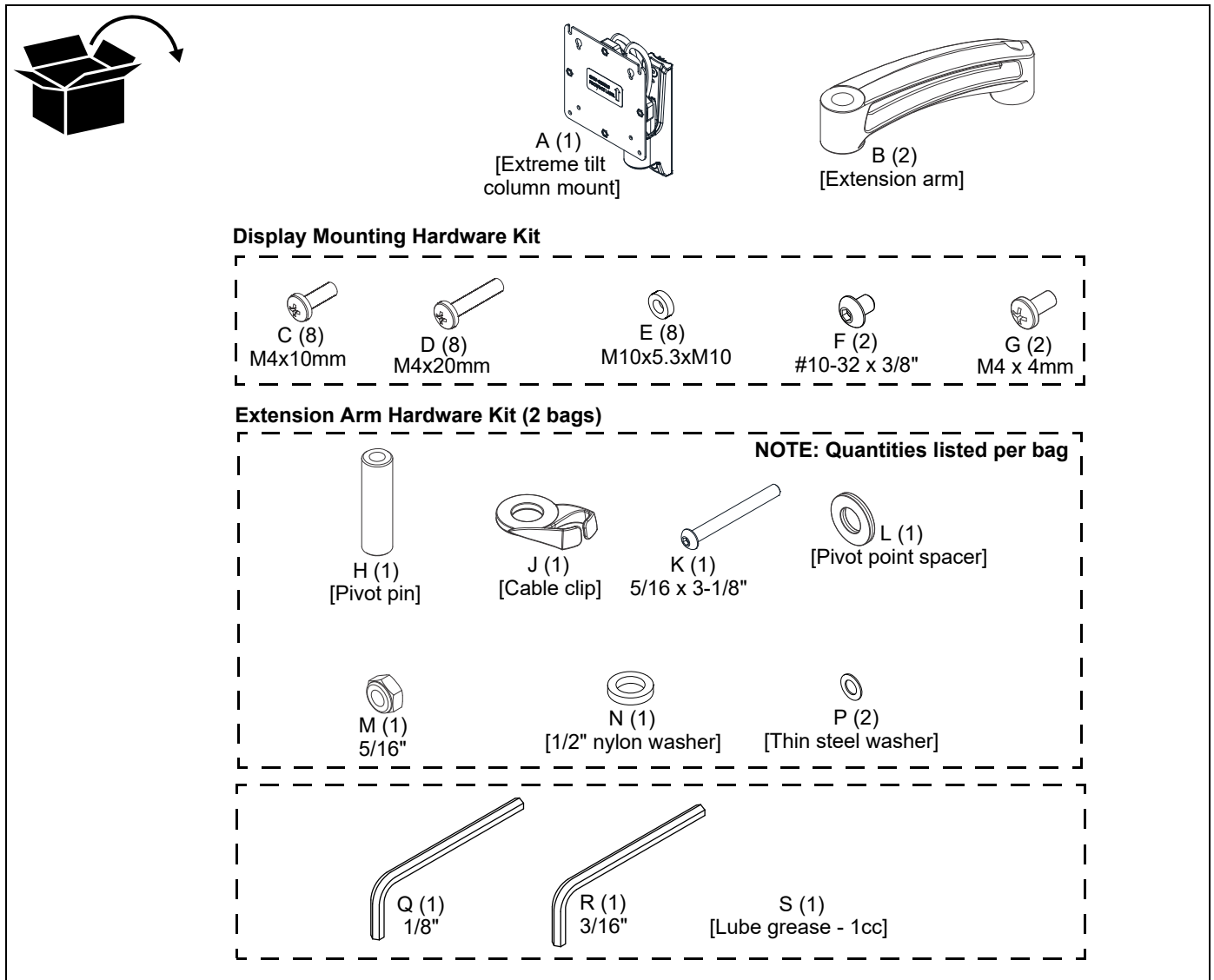
## LEGEND

	<b>Tighten Fastener</b> Apretar elemento de fijación Befestigungsteil festziehen Apertar fixador Serrare il fissaggio Bevestiging vastdraaien Serrez les fixations		<b>Pencil Mark</b> Marcar con lápiz Stiftmarkierung Marcar com lápis Segno a matita Potloodmerkten Marquage au crayon
	<b>Loosen Fastener</b> Aflojar elemento de fijación Befestigungsteil lösen Desapertar fixador Allentare il fissaggio Bevestiging losdraaien Desserrez les fixations		<b>Drill Hole</b> Perforar Bohrloch Fazer furo Praticare un foro Gat boren Percez un trou
	<b>Phillips Screwdriver</b> Destornillador Phillips Kreuzschlitzschraubendreher Chave de fendas Phillips Cacciavite a stella Kruiskopschroevendraaier Tournevis à pointe cruciforme		<b>Adjust</b> Ajustar Einstellen Ajustar Regolare Afstellen Ajuster
	<b>Open-Ended Wrench</b> Llave de boca Gabelschlüssel Chave de bocas Chiave a punte aperte Steeksleutel Clé à fourche		<b>Remove</b> Quitar Entfernen Remover Rimuovere Verwijderen Retirez
	<b>By Hand</b> A mano Von Hand Com a mão A mano Met de hand À la main		<b>Optional</b> Opcional Optional Opcional Opzionale Optie En option
	<b>Hex-Head Wrench</b> Llave de cabeza hexagonal Sechskantschlüssel Chave de cabeça sextavada Chiave esagonale Zeskantsleutel Clé à tête hexagonale		<b>Security Wrench</b> Llave de seguridad Sicherheitsschlüssel Chave de segurança Chiave di sicurezza Veiligheidsleutel Clé de sécurité

**TOOLS REQUIRED FOR INSTALLATION**



**PARTS**



## ASSEMBLY AND INSTALLATION

### Install Extension Arms

1. Remove arm from mount by loosening button head cap screw until arm is completely disengaged from the bolt. (See Figure 8)
2. Set aside arm and mounting hardware for reuse.

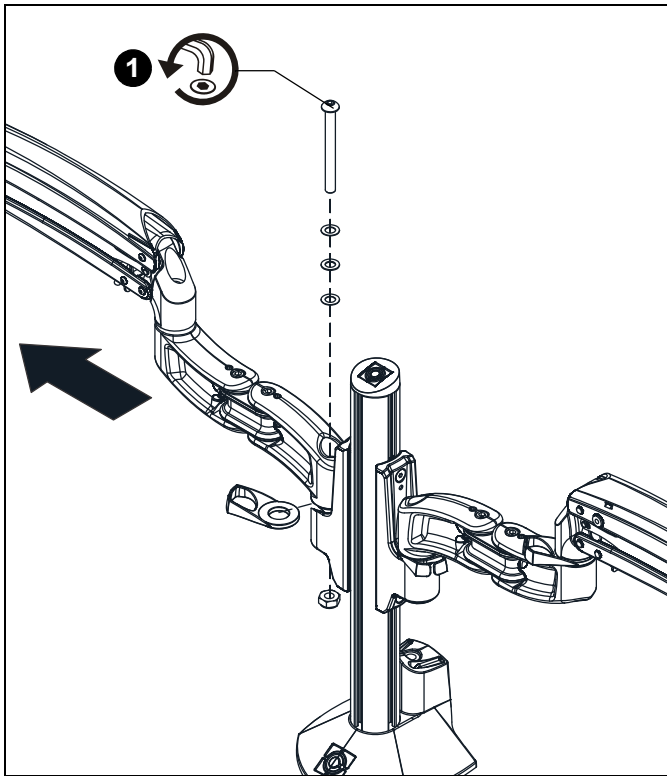


Figure 1

3. Use hardware removed in Step 1 to secure removed arm to LLR03188 extension arm (B). (See Figure 2)

**IMPORTANT ! :** Make sure hardware is installed in the correct order as shown in Figure 2.

**IMPORTANT ! :** Use the lube grease (S) to either lightly coat the pivot pin (H) and the pivot pin removed in Step 1, OR add the lube grease to the bore the pivot pins sit in.

4. Use 5/16-18 x 3 1/8" button head cap screw (K), two thin steel washers (P), 1/2" spacer (N), pivot pin spacer (L), pivot pin (H), and 5/16" lock nut (M) to secure LLR03188 arm to mount. (See Figure 2)

**NOTE:** Cable clip (J) may be used in place of pivot pin spacer (L) if cable management is desired at the attachment point. (See Figure 2)

5. Repeat Steps 1 through 4 for the opposite arm.



**WARNING:** Do NOT use LLR03188 extension arms to create mounting arms greater than three links long!

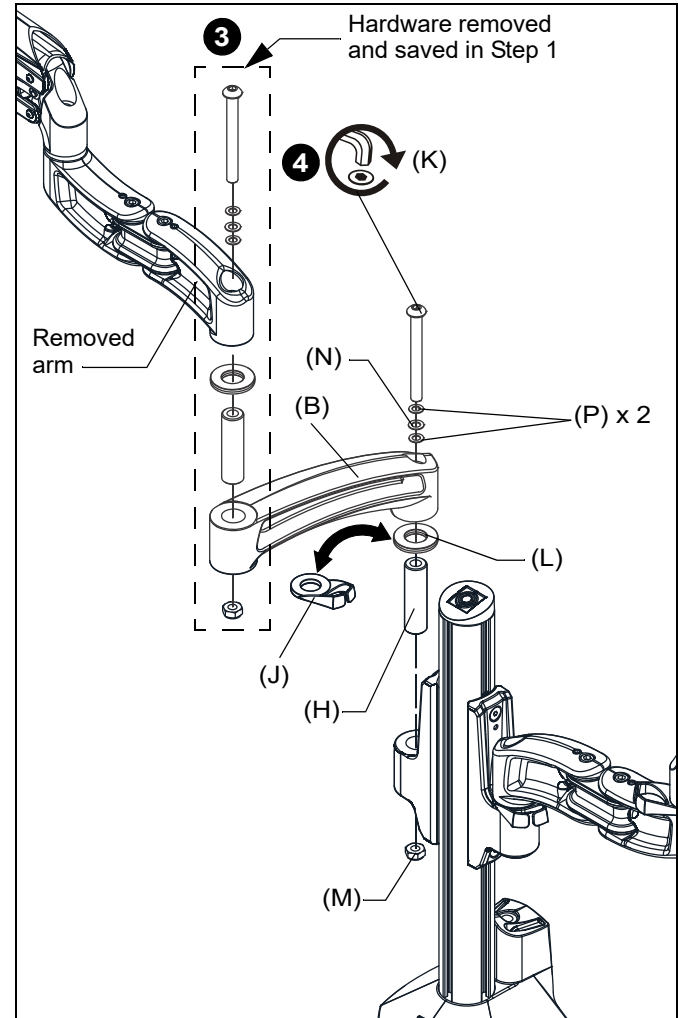


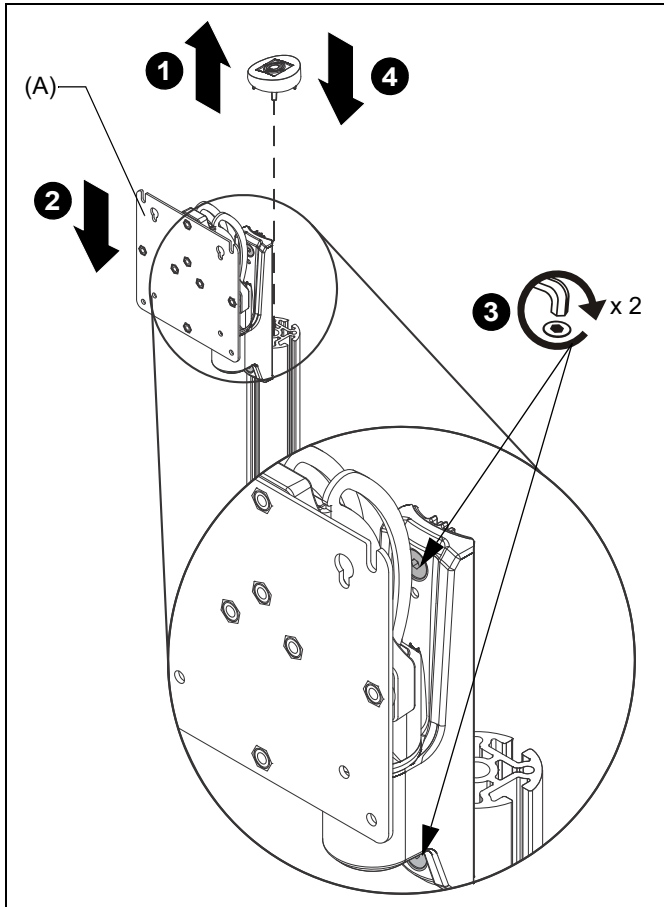
Figure 2



**WARNING:** Exceeding the weight capacity can result in serious personal injury or damage to equipment! It is the installer's responsibility to make sure the combined weight of all components attached to the LLR03188 extension arms and extreme tilt column mount accessory up to (and including) the displays does not exceed the weight limits listed in the table below. In addition, when the LLR03188 accessory is attached to a LLR03187 mounting system, the listed weight capacity of that assembly becomes the weight capacity listed in Table 1.

**Install Extreme Tilt Column Mount**

1. Remove cap from LLR03187 column. (See Figure 3)
2. Slide extreme tilt column mount accessory (A) onto front of the column. (See Figure 3)
3. Tighten screws to secure accessory to column at desired mounting height. (See Figure 3)
4. Replace cap on top of column. (See Figure 3)

**Figure 3**

5. Complete installation to LLR03187 mount following LLR03187 mount installation instructions.



## Instructions

### **CALL US FIRST! DO NOT RETURN TO STORE.**

For immediate help with assembly or product information call our toll-free number: **1-888-598-7316** Mon. - Fri. 7am to 7 pm CST  
Our staff is ready to provide assistance. Damaged or missing parts ship from our facility in 1-2 business days.

Please provide the following information:

1. Full Name
2. Physical Address – do not include P.O. Box as our carriers cannot deliver to P.O. Boxes
3. Phone Number
4. Model Number
5. Part Number
6. Invoice #
7. Date of Purchase

Note: Our policy is to send all parts requests via normal ground transportation. If your requirements are to have these parts via overnight/next day, please provide your designated carrier and account number. Replacement panels are not available. If any damage has occurred during shipment please return the entire unit to place of purchase for credit and replacement. Original invoice may be required.

Before you begin:

Open, identify and count all parts prior to assembly. Lay out the parts on a non-abrasive surface such as carpet or blanket.