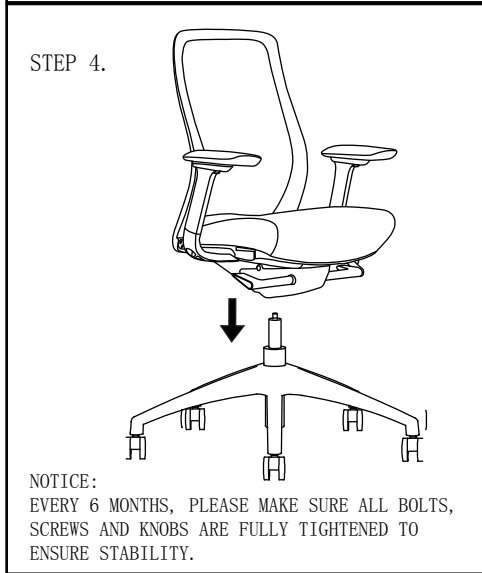
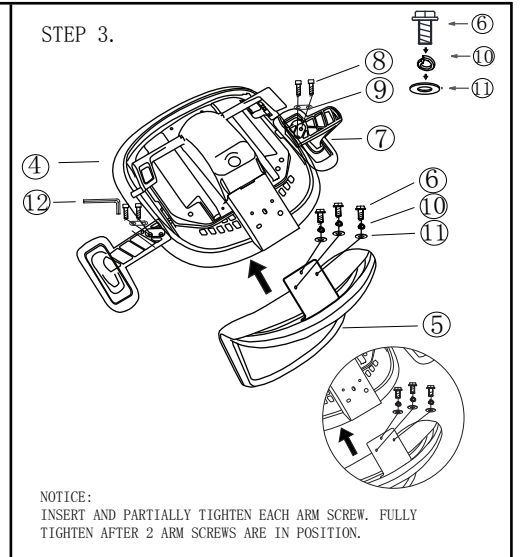
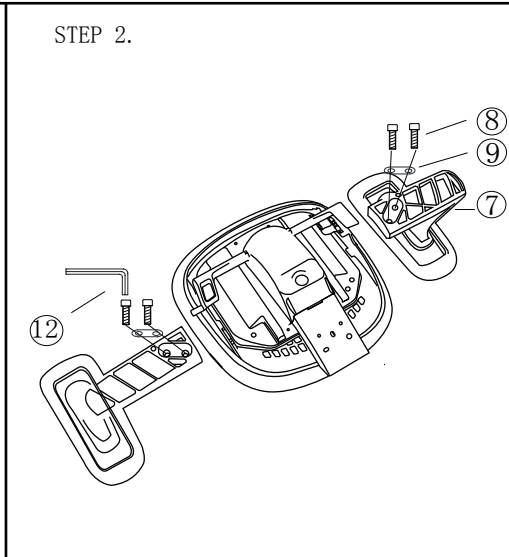
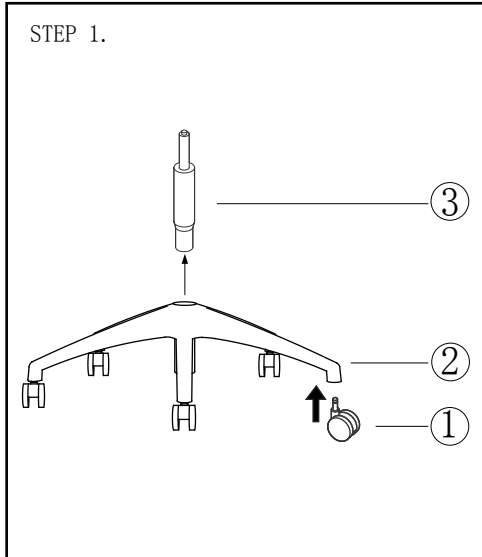


ASSEMBLY INSTRUCTIONS

Remove all items from the carton. Verify all pieces before assembly

PARTS LIST

KEY	QTY	DESCRIPTION	KEY	QTY	DESCRIPTION	KEY	QTY	DESCRIPTION
1	5	Caster	5	1	Backrest	9	2	Washer
2	1	Base	6	3	Back Post Screws (M8*20MM)	10	3	Spring Washer
3	1	Seat Post	7	2	Armrests	11	3	Flat Washer
4	1	Seat+Mechanism (pre-assembled)	8	4	Armrest Screws (M8*30MM)	12	1	Allen Wrench (M6 x 80 x 40mm)



MECHANISM OPERATION INSTRUCTIONS
WHILE SEATED:

- (A) **SEAT HEIGHT ADJUSTMENT:**
Pull lever up. Release lever when desired position is reached.
- (B) **BACK TILT ADJUSTMENT:**
Pull lever up horizontally. Move backrest to tilt. To lock upright position, push lever in.
- (C) **TILT TENSION ADJUSTMENT KNOB:**
Rotate knob clockwise/counterclockwise to adjust tilt tension based on body weight.
- (D) **SEAT DEPTH ADJUSTMENT:**
Push lever down and move the seat forward or backward.

PREVENTIVE MAINTENANCE AND WARNING!

- USE THIS PRODUCT ONLY FOR SEATING ONE PERSON AT A TIME.
- DO NOT USE THIS CHAIR AS A STEP STOOL/LADDER.
- DO NOT SIT ON ANY PART OF THE CHAIR EXCEPT THE SEAT.
- DO NOT USE CHAIR ON UNEVEN FLOOR SURFACES.
- DO NOT USE CHAIR UNLESS ALL BOLTS, SCREWS AND KNOBS ARE TIGHT.
- **AT LEAST EVERY SIX MONTHS, CHECK ALL BOLTS, SCREWS AND KNOBS TO BE SURE THEY ARE TIGHT.**
- IF ANY PARTS ARE MISSING, BROKEN, DAMAGED OR WORN, STOP USE OF THE PRODUCT UNTIL REPAIRS ARE MADE USING FACTORY AUTHORIZED PARTS.
- DISPOSE OF PACKAGING PROPERLY, PLASTIC BAG IS NOT A TOY. DO NOT USE PLASTIC BAG AS HEAD COVERING-IT MAY CAUSE SUFFOCATION.
- FAILURE TO FOLLOW THESE WARNINGS COULD RESULT IN SERIOUS INJURY.