

MAYLINE®

EVEN® DESKING INSTALLATION INSTRUCTIONS (SITTING AND STANDING HEIGHT)

TOOLS REQUIRED:



DRILL DRIVER - #2 PHILLIPS BITS



#2 PHILLIPS SCREWDRIVER



ALLEN WRENCH - 4mm, 5mm, 6mm ALL 3 PROVIDED

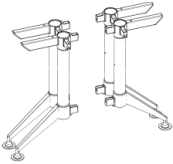
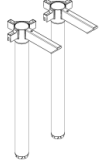
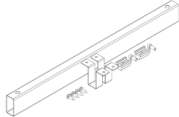
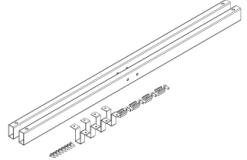
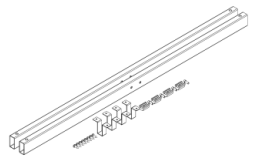
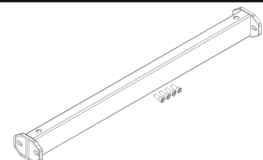
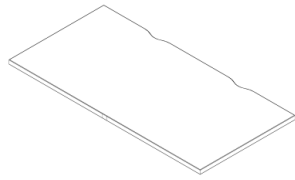
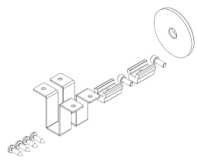


CLAMP



TAPE MEASURE

PARTS LIST

ITEM	PART NO.	DESCRIPTION	
1	LDLSKAS LDLSKA1S	END LEG KIT INCLUDES 2 RH AND 2 LH STANDING HEIGHT	
2	LDALKGS LDALKG1S	MIDDLE LEG KIT STANDING HEIGHT	
3 4	LDEBK24BS LDEBK30CS	END BEAM KIT FOR 48" AND 60" ASSEMBLIES. INCLUDES HARDWARE	
5 6 7	LDSTBK48DS LDSTBK60ES LDSTBK72FS	SIDE END BEAM KIT FOR 48", 60" AND 72" WIDE ASSEMBLIES. INCLUDES HARDWARE	
8 9 10	LDATBK48JS LDATBK60KS LDATBK72LS	SIDE MIDDLE BEAM KIT FOR 48", 60" AND 72" WIDE ASSEMBLIES. INCLUDES HARDWARE	
11 12	LDSCBK24MS LDSCBK30NS	CROSS BEAM KIT FOR 48" AND 60" DEEP ASSEMBLIES. INCLUDES HARDWARE	
13	LDTOP2448 LDTOP2460 LDTOP2472 LDTOP3048 LDTOP3060 LDTOP3072	TOPS, NO SUFFIX DESIGNATES TFL. "H" SUFFIX DENOTES HPL	
14	LDHB	REPLACEMENT HARDWARE BAG. ITEMS NOT SOLD SEPARATELY	



MAYLINE[®]

619 N. Commerce P.O. Box 728, Sheboygan, WI 53082-0728
www.mayline.com 800-822-8037 Fax 920-457-7338

2 PERSON DESK ASSEMBLY

LD1 - LD6 2-PERSON DESK CONSISTS OF:

END LEG KIT

- (1) - LDLSKAS OR
- (1) - LDLSKA1S (STANDING HEIGHT)

END BEAM KIT

- (4) - LDEBK24BS OR LDEBK30CS

SIDE END BEAM KIT

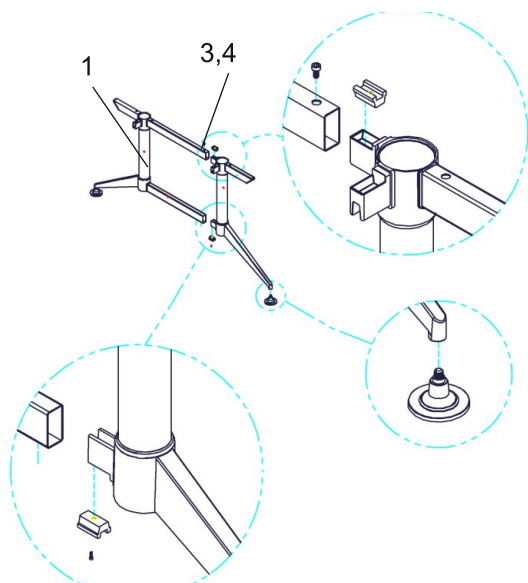
- (1) - LDSTBK48DS OR LDSTBK60ES OR LDSTBK72FS

CROSS BEAM KIT

- (1) - LDSCBK24MS OR LDSCBK30NS

TOP

- (2) - APPROPRIATE SIZED TOPS

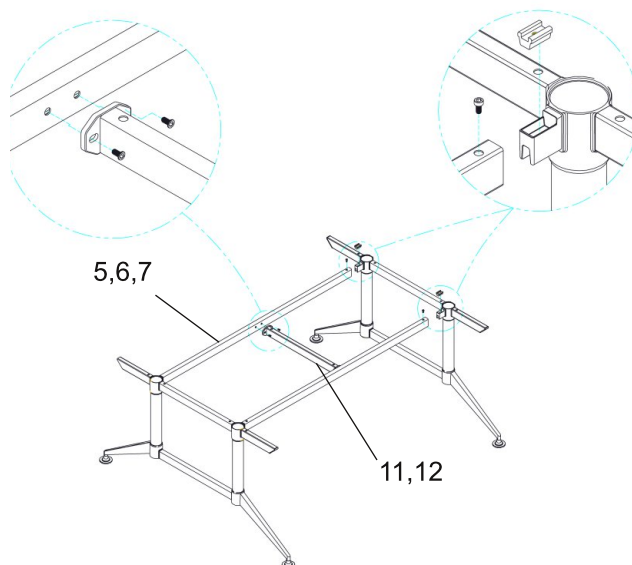


1. ASSEMBLE THE END LEGS (ITEM 1) TO THE END BEAM KIT (ITEM 3,4) AS SHOWN ABOVE.

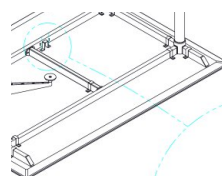
2. REPEAT FOR BOTH ENDS.

3. ATTACH THE SIDE END BEAMS (ITEM 5,6,7) TO THE ASSEMBLED ENDS.

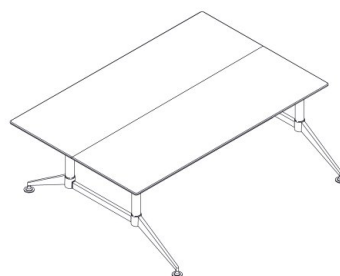
4. ATTACH THE CROSS BEAM (ITEM 11,12) TO THE CENTER.



5. PLACE THE TOPS ON THE FRAME AND CENTER FRONT TO BACK AND SIDE TO SIDE. CLAMP IN PLACE AND FASTEN AS SHOWN



DO NOT TURN OVER. FOR ILLUSTRATION PURPOSES ONLY



MAYLINE®

61!

www.mayline.com

800-822-8037

rgan, WI 53082-0728

Fax 920-457-7338

4 PERSON DESK ASSEMBLY

LD7 - LD12 4-PERSON DESK CONSISTS OF:

END LEG KIT

- (1) - LDLSKAS OR
- (1) - LDLSKA1S (STANDING HEIGHT)

MIDDLE LEG KIT

- (1) - LDALKGS OR
- (1) - LDALKG1S (STANDING HEIGHT)

END BEAM KIT

- (5) - LDEBK24BS OR LDEBK30CS

SIDE END BEAM KIT

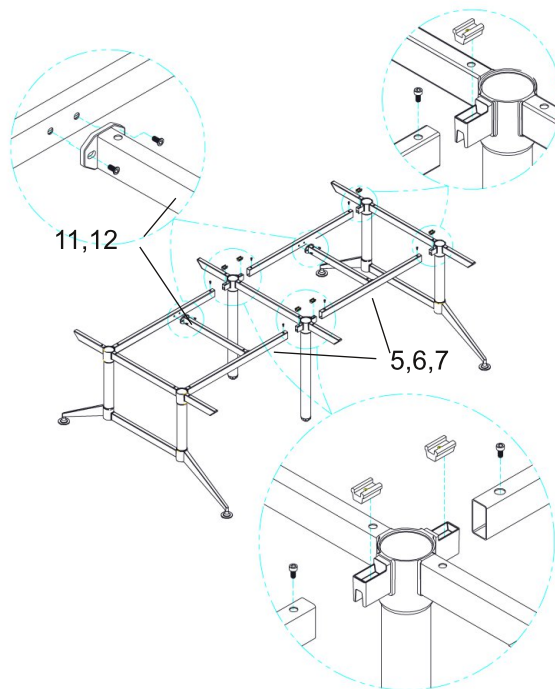
- (2) - LDSTBK48DS OR LDSTBK60ES OR
LDSTBK72FS

CROSS BEAM KIT

- (2) - LDSCBK24MS OR LDSCBK30NS

TOP

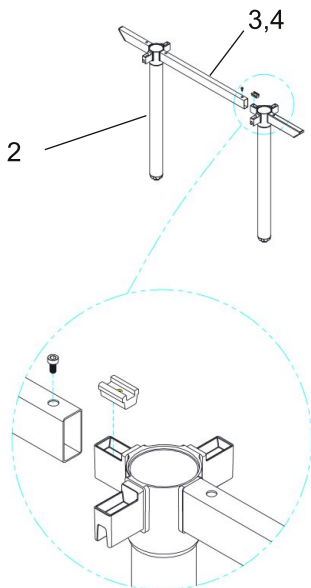
- (4) - APPROPRIATE SIZED TOPS



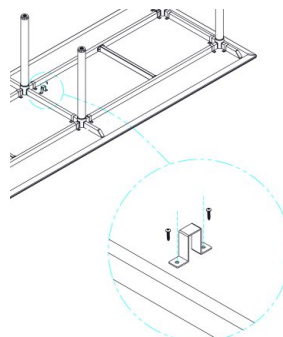
6. FOLLOW STEPS 1 AND 2 FROM THE TWO PERSON DESK.

7. ASSEMBLE THE MIDDLE LEGS (ITEM 2) WITH THE END BEAM (ITEM 3,4).

8. CONNECT SIDE END BEAMS (ITEM 5,6,7) AND END LEGS (ITEM 1) TO MID LEGS (ITEM 2) AS SHOWN.

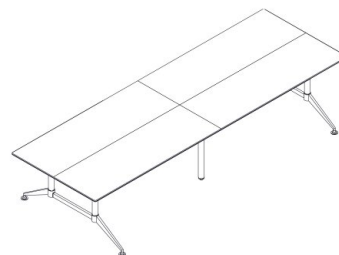


9. ATTACH THE CROSS BEAM (ITEM 11,12) TO THE CENTER OF EACH BEAM SET.



DO NOT TURN OVER. FOR ILLUSTRATION PURPOSES ONLY

10. PLACE THE TOPS ON THE FRAME AND CENTER FRONT TO BACK AND SIDE TO SIDE. CLAMP IN PLACE AND FASTEN AS SHOWN



MAYLINE®

619 N. Commerce P.O. Box 728, Sheboygan, WI 53082-0728
www.mayline.com 800-822-8037 Fax 920-457-7338

6 TO 12 PERSON DESK ASSEMBLY

LD13 - LD18 6-PERSON DESK CONSISTS OF:

END LEG KIT

- (1) - LDLSKAS OR
- (1) - LDLSKA1S (STANDING HEIGHT)

MIDDLE LEG KIT

- (2) - LDALKGS OR
- (2) - LDALKG1S (STANDING HEIGHT)

END BEAM KIT

- (6) - LDEBK24BS OR LDEBK30CS

SIDE END BEAM KIT

- (2) - LDSTBK48DS OR LDSTBK60ES OR
- LDSTBK72FS

SIDE MIDDLE BEAM KIT

- (1) - LDATBK48JS OR LDATBK60KS OR
- LDATBK72LS

CROSS BEAM KIT

- (3) - LDSCBK24MS OR LDSCBK30NS

TOP

- (6) - APPROPRIATE SIZED TOPS

LD19 - LD24 8-PERSON DESK CONSISTS OF:

END LEG KIT

- (1) - LDLSKAS

MIDDLE LEG KIT

- (3) - LDALKGS

END BEAM KIT

- (7) - LDEBK24BS OR LDEBK30CS

SIDE END BEAM KIT

- (2) - LDSTBK48DS OR LDSTBK60ES OR
- LDSTBK72FS

SIDE MIDDLE BEAM KIT

- (2) - LDATBK48JS OR LDATBK60KS OR
- LDATBK72LS

CROSS BEAM KIT

- (4) - LDSCBK24MS OR LDSCBK30NS

TOP

- (8) - APPROPRIATE SIZED TOPS

LD25 - LD30 10-PERSON DESK CONSISTS OF:

END LEG KIT

- (1) - LDLSKAS

ADDER LEG KIT

- (4) - LDALKGS

END BEAM KIT

- (8) - LDEBK24BS OR LDEBK30CS

SIDE END BEAM KIT

- (2) - LDSTBK48DS OR LDSTBK60ES OR
- LDSTBK72FS

SIDE MIDDLE BEAM KIT

- (3) - LDATBK48JS OR LDATBK60KS OR
- LDATBK72LS

CROSS BEAM KIT

- (5) - LDSCBK24MS OR LDSCBK30NS

TOP

- (10) - APPROPRIATE SIZED TOPS

LD31 - LD36 12-PERSON DESK CONSISTS OF:

END LEG KIT

- (1) - LDLSKAS

ADDER LEG KIT

- (5) - LDALKGS

END BEAM KIT

- (9) - LDEBK24BS OR LDEBK30CS

SIDE END BEAM KIT

- (2) - LDSTBK48DS OR LDSTBK60ES OR
- LDSTBK72FS

SIDE MIDDLE BEAM KIT

- (4) - LDATBK48JS OR LDATBK60KS OR
- LDATBK72LS

CROSS BEAM KIT

- (6) - LDSCBK24MS OR LDSCBK30NS

TOP

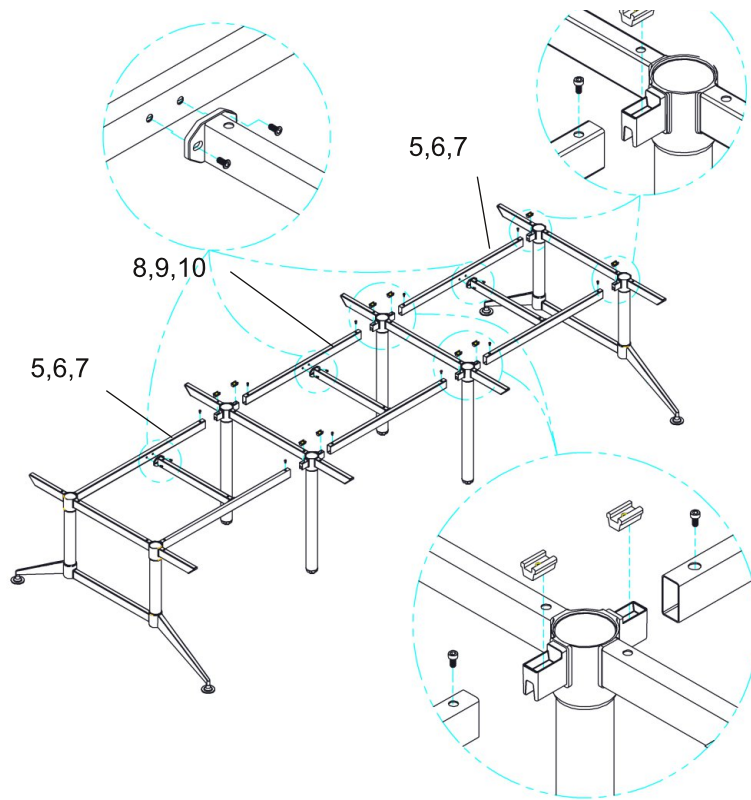
- (12) - APPROPRIATE SIZED TOPS



619 N. Commerce P.O. Box 728, Sheboygan, WI 53082-0728

www.mayline.com 800-822-8037 Fax 920-457-7338

11. FOLLOW STEPS 1, 2, 7, AND 8. FROM THE TWO AND 4 PERSON DESK.



12. CONNECT THE END AND MIDDLE LEGS USING THE SIDE BEAMS.

NOTE:

SIDE BEAMS, ITEM 5,6,AND 7 ARE USED ON THE ENDS. SIDE BEAMS ITEM 8, 9, AND 10 ARE USED BETWEEN THE MIDDLE LEGS.

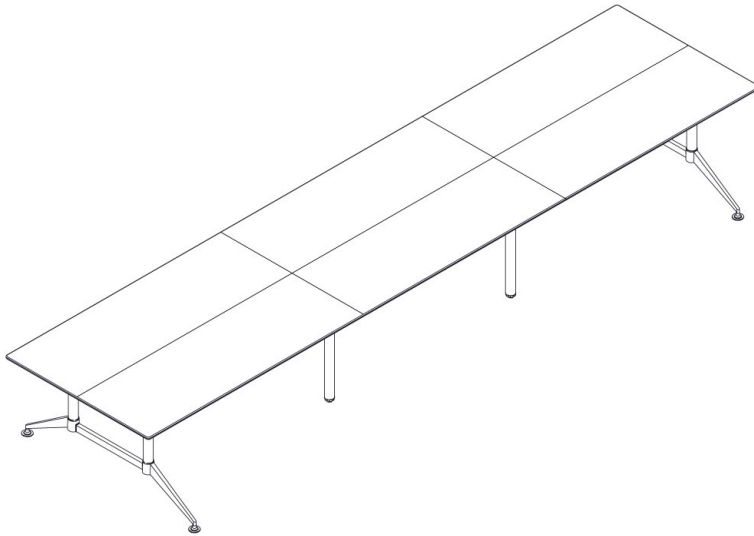
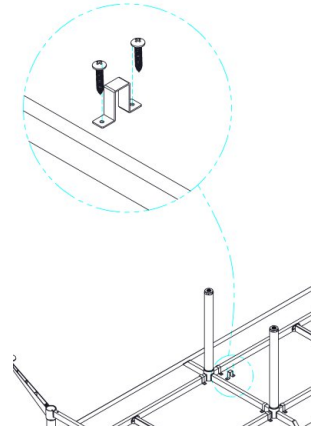
13. ATTACH THE CROSS BEAM(ITEM 11,12) TO THE CENTER OF EACH BEAM SET.

**MAYLINE**[®]

619 N. Commerce P.O. Box 728, Sheboygan, WI 53082-0728
www.mayline.com 800-822-8037 Fax 920-457-7338

14. PLACE THE TOPS ON THE FRAME AND CENTER FRONT TO BACK AND SIDE TO SIDE. CLAMP IN PLACE AND FASTEN AS SHOWN

DO NOT TURN OVER. FOR ILLUSTRATION PURPOSES ONLY



619 N. Commerce P.O. Box 728, Sheboygan, WI 53082-0728
www.mayline.com 800-822-8037 Fax 920-457-7338