





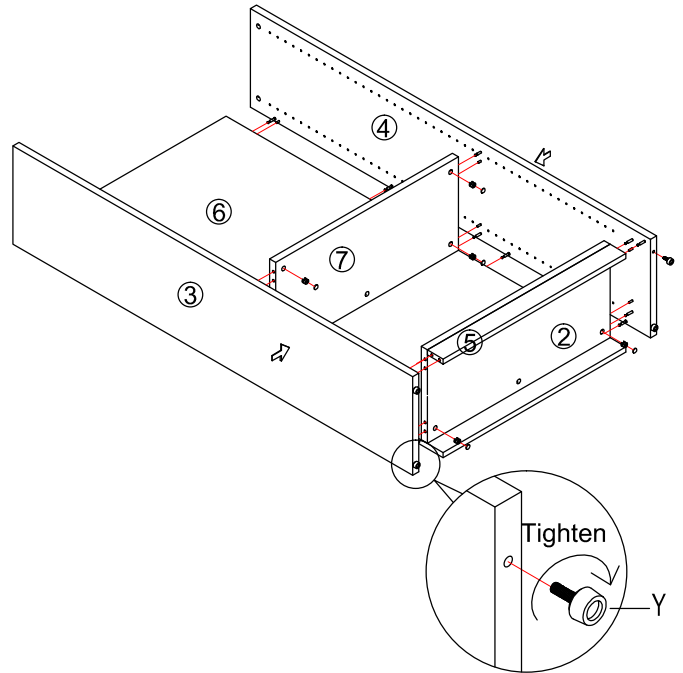
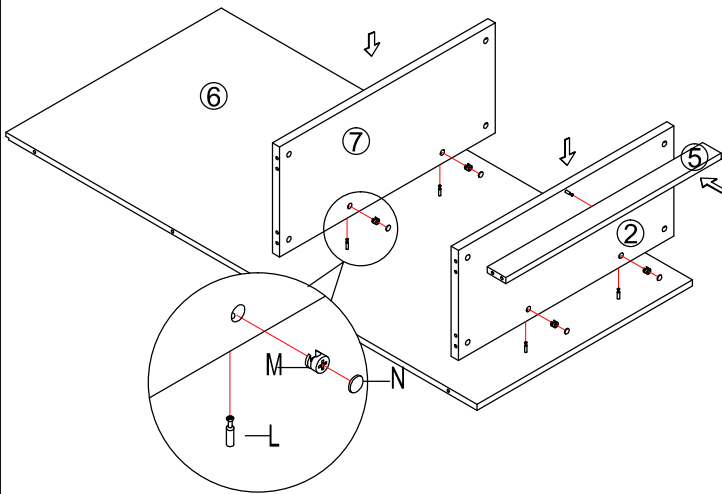


Assembly Instructions

MODEL NO.:S507

L  29+1PCS	M  29+1PCS	N  29+1PCS	O  22+1PCS	Y  4PCS	Q  13PCS
---	---	---	---	---	---



Carton	Item info.
1/2	side and back panels
2/2	top and bottom panel, hardware kit pack

