


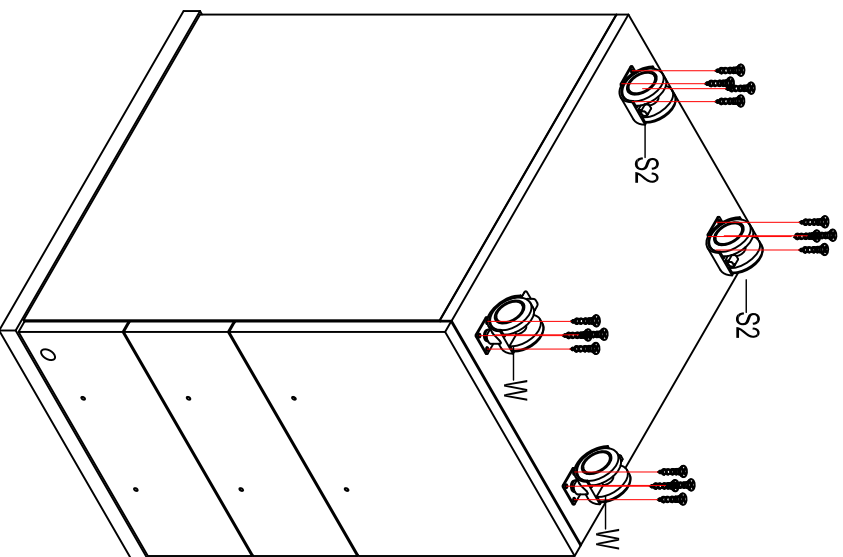


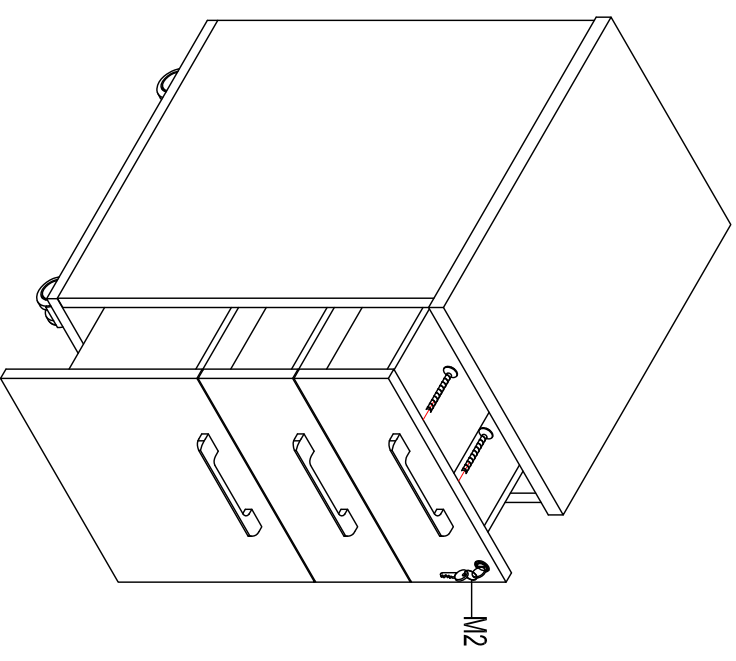
# Assembly Instructions MODEL NO.:S504

W	S2	M2
 2SET	 2SET	 1SET

1



2



casters and keys in first drawer