

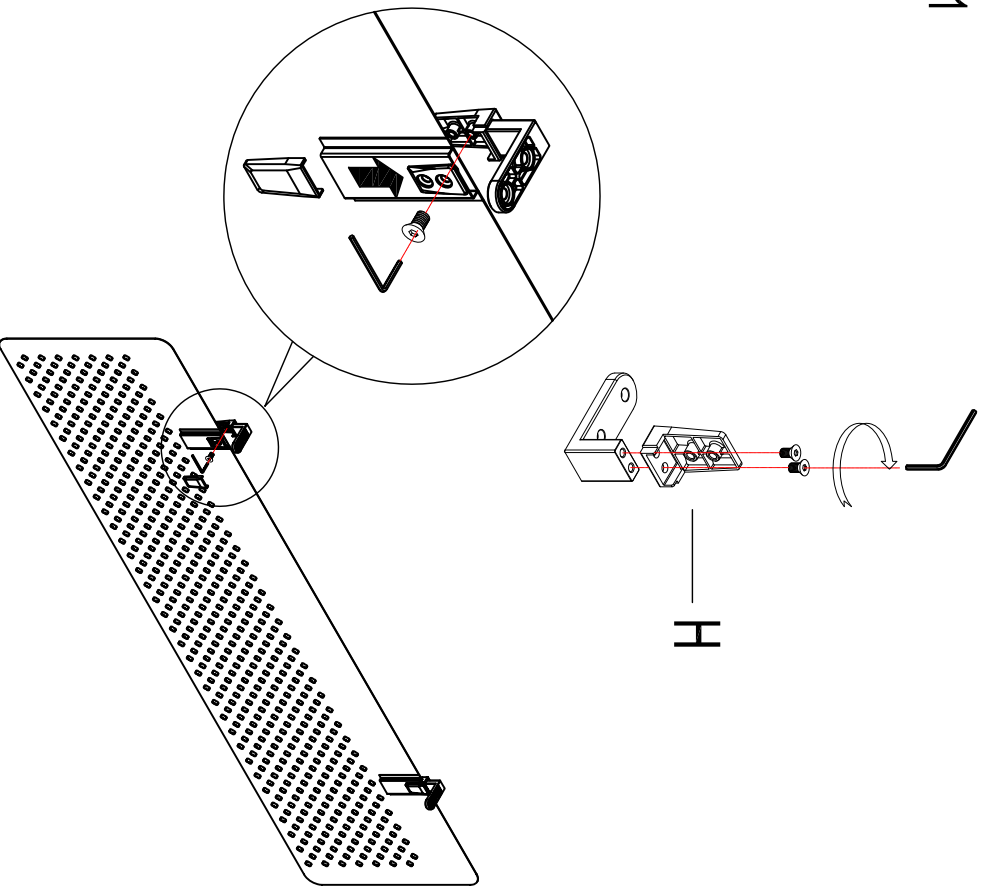


# Assembly Instructions

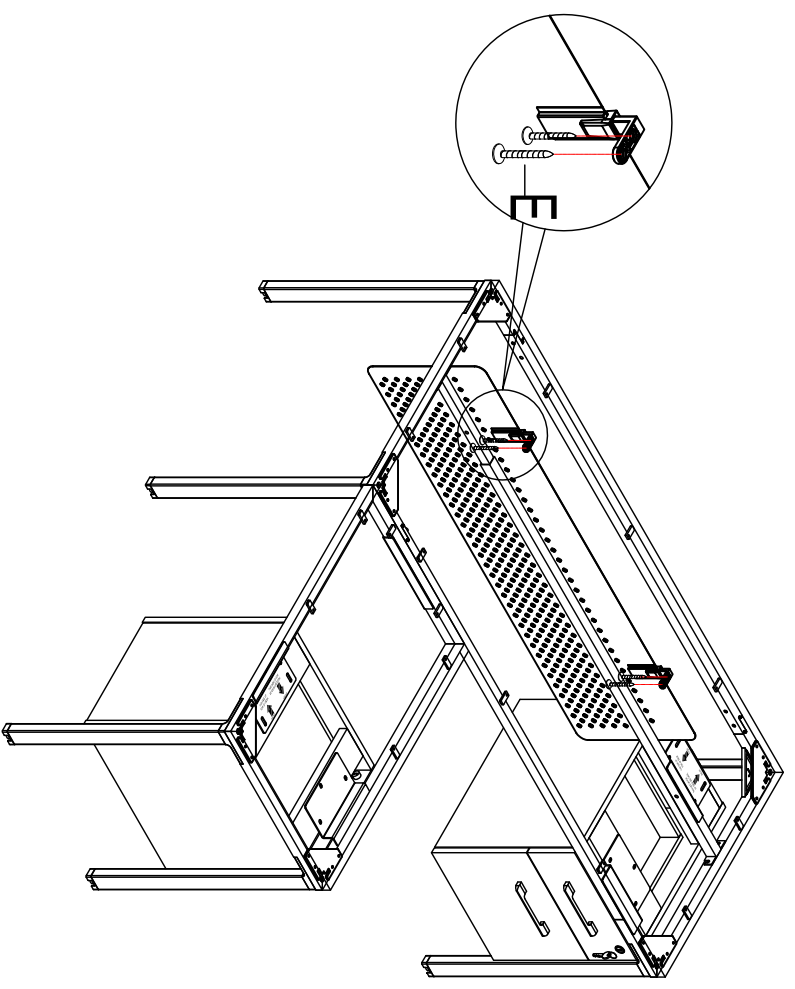
## MODEL NO.:S304 / S305

E		H	
	6PCS		2SET

1



2



MODEL NO.:S304 / S305

S304:48"

S305:58"