

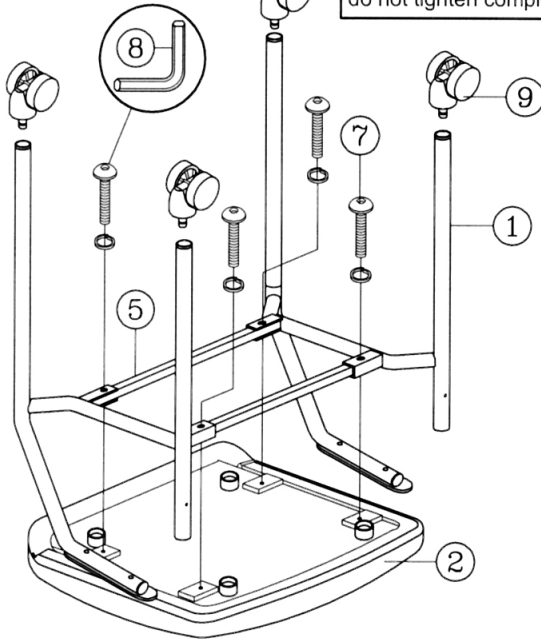
Remove all items from the carton . Verify all pieces before assembly.

PART LIST

KEY	QTY	DESCRIPTION	KEY	QTY	DESCRIPTION
1	2	Leg/Arm Frame	6	2	Backrest Screw 4x15.5mm
2	1	Seat Cushion	7	4	Seat Screw 6x34mm + Washer
3	1	Seat Plastic Cover	8	1	M5 Size Allen Wrench
4	1	Plastic Backrest	9	4	Caster
5	2	Steel Bar			

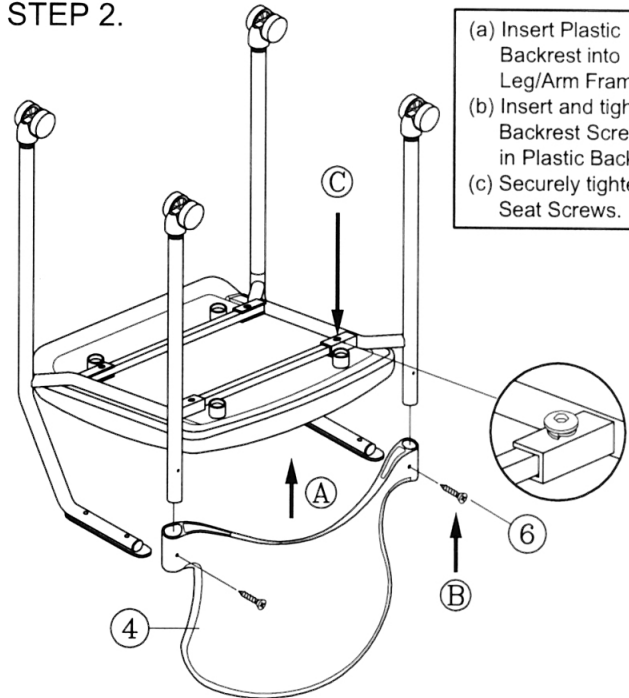
STEP 1.

Screw in Seat Screws, but do not tighten completely.



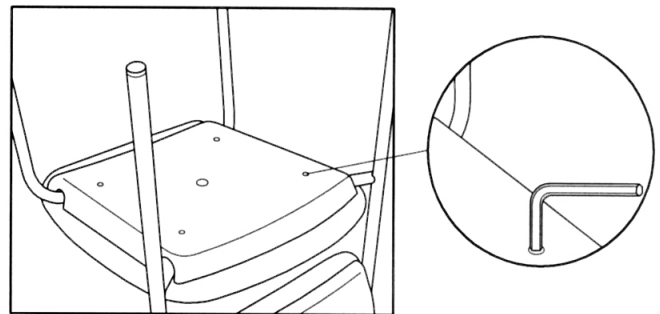
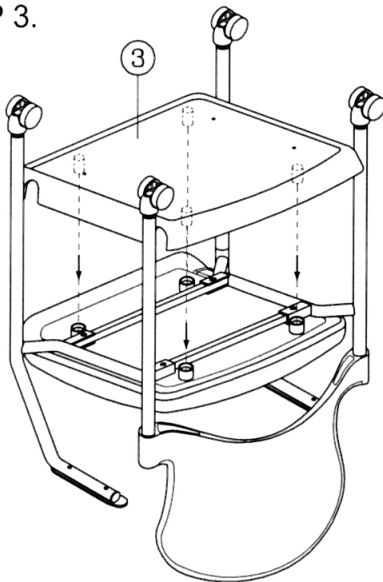
STEP 2.

(a) Insert Plastic Backrest into Leg/Arm Frame.
(b) Insert and tighten Backrest Screws in Plastic Backrest.
(c) Securely tighten Seat Screws.



STEP 3.

Push hard until you hear a click to indicate that the Plastic Seat Cover is locked in.

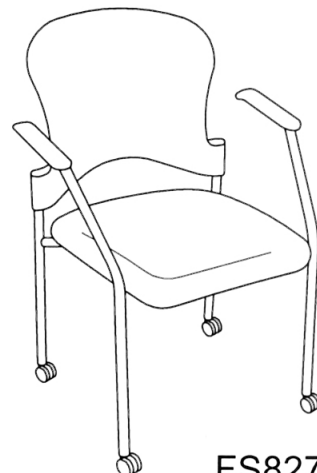


PREVENTIVE MAINTENANCE

- From time to time , check to make sure screws are securely tightened.
- ♣ Holes in Plastic Seat Cover allow for convenient checking.

PREVENTIVE MAINTENANCE AND WARNING!

- USE THIS PRODUCT ONLY FOR SEATING ONE PERSON AT A TIME.
- DO NOT USE THIS CHAIR AS A STEP STOOL / LADDER.
- DO NOT SIT ON ANY PART OF THE CHAIR EXCEPT THE SEAT.
- DO NOT USE CHAIR ON UNEVEN FLOOR SURFACES.
- DO NOT USE CHAIR UNLESS ALL BOLTS, SCREWS AND KNOBS ARE TIGHTENED.
- EVERY SIX MONTHS, PLEASE MAKE SURE ALL BOLTS, SCREWS AND KNOBS ARE FULLY TIGHTENED TO ENSURE STABILITY.
- IF ANY PARTS ARE MISSING, BROKEN, DAMAGED OR WORN, STOP USE OF THE PRODUCT UNTIL REPAIRS ARE MADE USING FACTORY AUTHORIZED PARTS.
- DISPOSE OF PACKAGING PROPERLY. PLASTIC BAG IS NOT A TOY.
- DO NOT USE PLASTIC BAG AS HEAD COVERING - IT MAY CAUSE SUFFOCATION.
- FAILURE TO FOLLOW THESE WARNINGS COULD RESULT IN SERIOUS INJURY.
- NOTE: SOME SCREWS MAY BE PREASSEMBLED.
- IF PREASSEMBLED, IGNORE ASSEMBLY INSTRUCTIONS.



FS8270 / FS9070