

PARTS LIST

KEY QTY DESCRIPTION

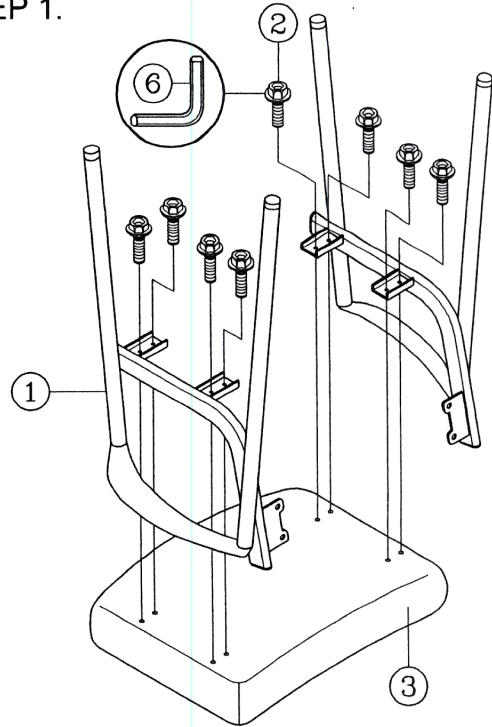
KEY	QTY	DESCRIPTION
1	2	Steel Frame
2	8	Steel Frame Screw (Hex Head 6x20mm)
3	1	Seat
4	1	Backrest
5	4	Backrest Screw (Round Head 6x20mm)
6	1	M5 Size Allen Wrench

PREVENTIVE MAINTENANCE AND WARNING!

- USE THIS PRODUCT ONLY FOR SEATING ONE PERSON AT A TIME.
- DO NOT USE THIS CHAIR AS A STEP STOOL / LADDER.
- DO NOT SIT ON ANY PART OF THE CHAIR EXCEPT THE SEAT.
- DO NOT USE CHAIR ON UNEVEN FLOOR SURFACES.
- DO NOT USE CHAIR UNLESS ALL BOLTS, SCREWS AND KNOBS ARE TIGHTENED.
- **EVERY SIX MONTHS, PLEASE MAKE SURE ALL BOLTS, SCREWS AND KNOBS ARE FULLY TIGHTENED TO ENSURE STABILITY.**
- IF ANY PARTS ARE MISSING, BROKEN, DAMAGED OR WORN, STOP USE OF THE PRODUCT UNTIL REPAIRS ARE MADE USING FACTORY AUTHORIZED PARTS.
- DISPOSE OF PACKAGING PROPERLY. PLASTIC BAG IS NOT A TOY. DO NOT USE PLASTIC BAG AS HEAD COVERING - IT MAY CAUSE SUFFOCATION.
- FAILURE TO FOLLOW THESE WARNINGS COULD RESULT IN SERIOUS INJURY.
- NOTE: SOME SCREWS MAY BE PREASSEMBLED.
- IF PREASSEMBLED, IGNORE ASSEMBLY INSTRUCTIONS.

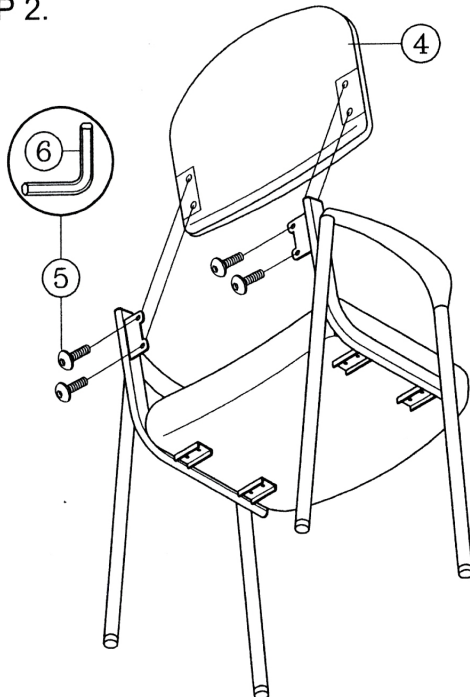
★ Exercise caution when initially sitting on chair. Check all screws to be sure they are securely fastened.

STEP 1.

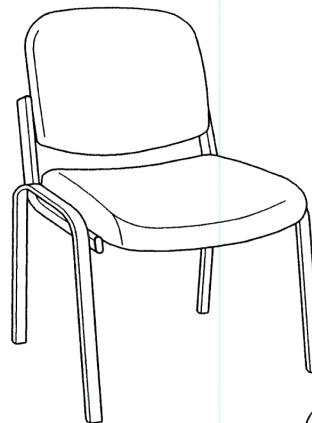


Align back of (3) seat to holes of (1) steel frames . Attach with (2) steel frame screws, but **do not tighten completely.**

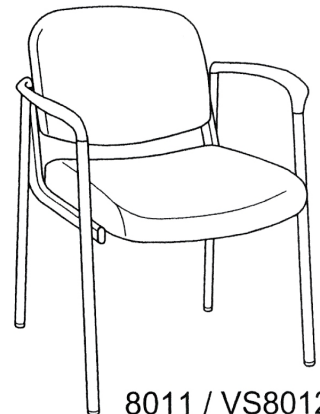
STEP 2.



Align (4) backrest to (1) steel frames as shown. Attach with (5) backrest screws . Adjust (1) steel frames until properly aligned. Securely tighten backrest screws and steel frame screws of (3) seat.



8014 / V8212NA



8011 / VS8012