
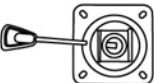





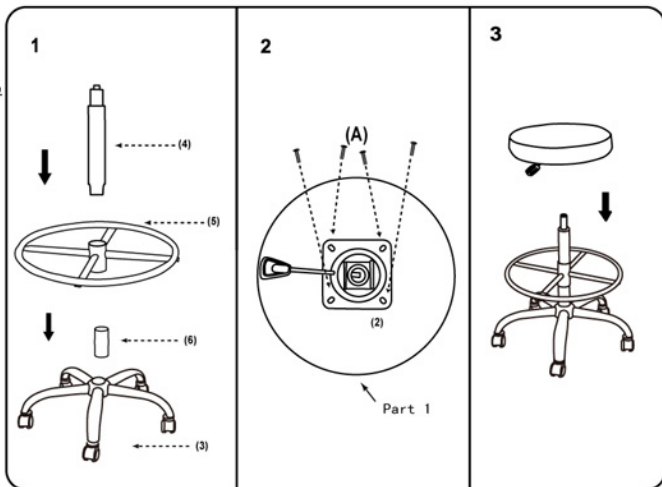


**Please unscrew all hardware from cushion before assembly.**  
**Por favor de destornillar todos los tornillos del cojín antes de ensamblar la silla.**

MODEL: 16240

(1)x1	(2)x1	(3)x1
		
Seat	TU001-240 / mechanism	Base W/Casters
(4)x1	(5)x1	(6)x1
		
TU026-240/5- Gas Lift	TU009	TU009-EXT
(A)x4	 M8X22 MECHANISM SCREW	



**Insert and loosely tighten all screws. When assembly is completed, fully tighten all screws before using. This chair is only intended for sitting. Any other use will void the warranty.**

