

(ENLARGED VIEW)

NOTES:

1. INSTALLATION SHALL COMPLY WITH ALL APPLICABLE NATIONAL, STATE, AND LOCAL CODES.
2. PLEASE REFER TO PRODUCT DOCUMENTATION FOR FURTHER INFORMATION
3. UNLESS OTHERWISE SPECIFIED, ALL DIMENSIONS ARE IN INCHES [MILLIMETERS]
4. NET WEIGHT IS 3.80 LBS [1.73 KG]
- △ 5. LENGTH OF CORD IS 144.00 INCHES [3658 MILLIMETERS].

THIS DRAWING AND SPECIFICATIONS HEREIN ARE THE PROPERTY OF SCHNEIDER ELECTRIC AND SHALL NOT BE COPIED, REPRODUCED OR USED IN WHOLE OR IN PART, AS THE BASIS FOR THE MANUFACTURE OR SALE OF ITEMS WITHOUT WRITTEN PERMISSION FROM SCHNEIDER ELECTRIC. THIS DRAWING IS BASED UPON LATEST AVAILABLE INFORMATION AND IS SUBJECT TO CHANGE WITHOUT NOTICE.



TITLE: RACK PDU 1U, METERED
100/120V, 15A
INPUT: NEMA 5-15P, 12FT CORD
OUTPUT: (8) NEMA 5-15R
MAIN MECHANICAL

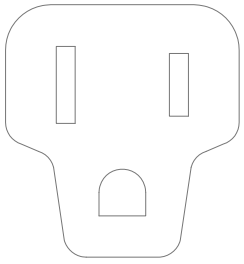
PROJECT: SUBMITTAL DRAWINGS SHEET 1 OF 3

DWG NO: AP7800 REV. 0

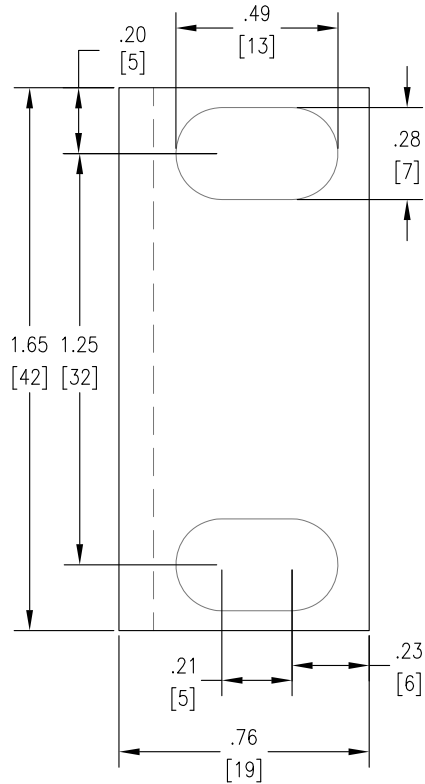
DRAWN BY: V BUSH 16-NOV-10 THIRD

ENGINEER: T HORSTMANN/J SUN 16-NOV-10 ANGLE

APPROVED BY: B SHERIDAN/M LEAPARD 16-NOV-10 PROJ



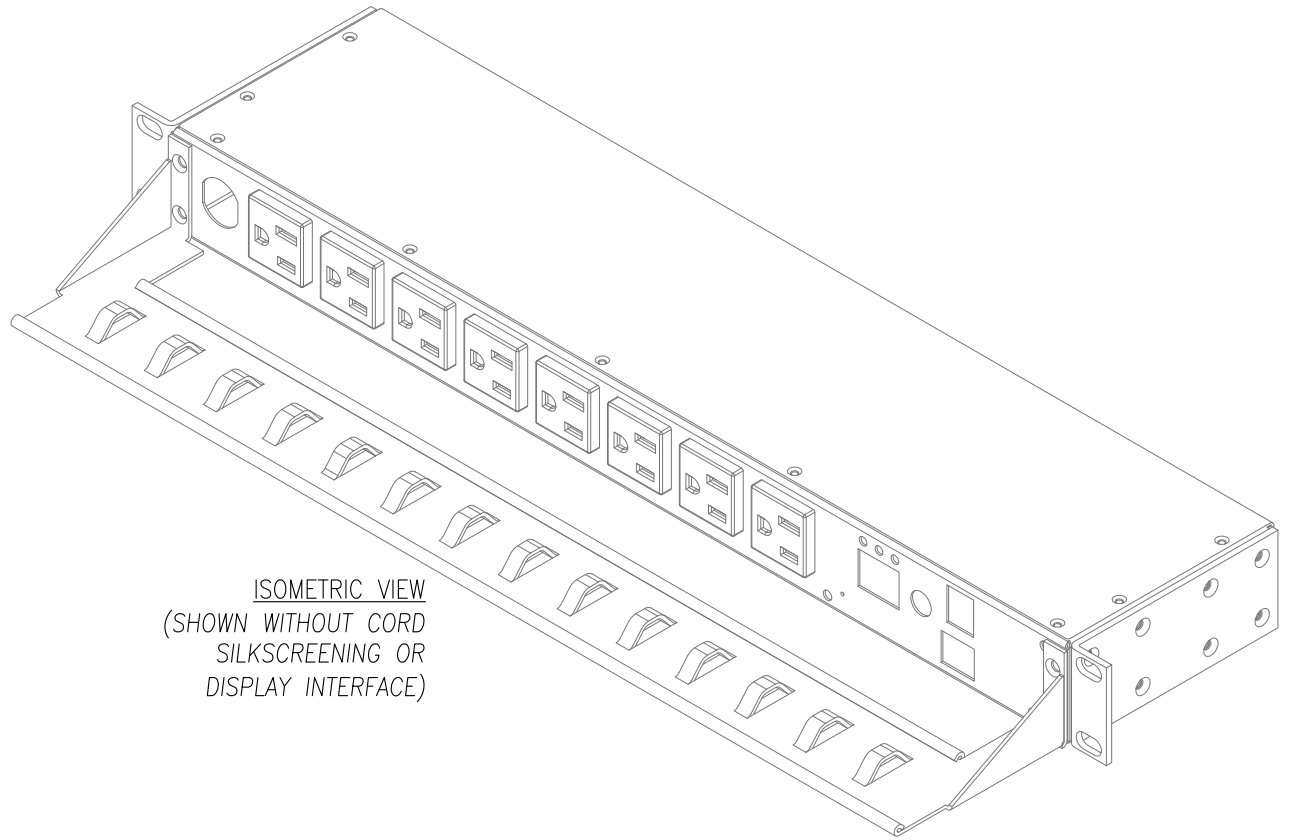
VIEW B
NEMA L5-15P PLUG



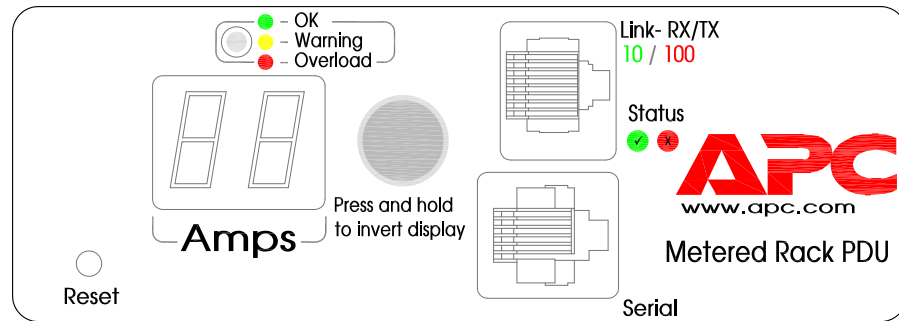
DETAIL B
MOUNTING PLATE DETAIL
(ENLARGED)

NOTES:

1. INSTALLATION SHALL COMPLY WITH ALL APPLICABLE NATIONAL, STATE, AND LOCAL CODES.
2. PLEASE REFER TO PRODUCT DOCUMENTATION FOR FURTHER INFORMATION
3. UNLESS OTHERWISE SPECIFIED, ALL DIMENSIONS ARE IN INCHES [MILLIMETERS]



ISOMETRIC VIEW
(SHOWN WITHOUT CORD
SILKSCREENING OR
DISPLAY INTERFACE)



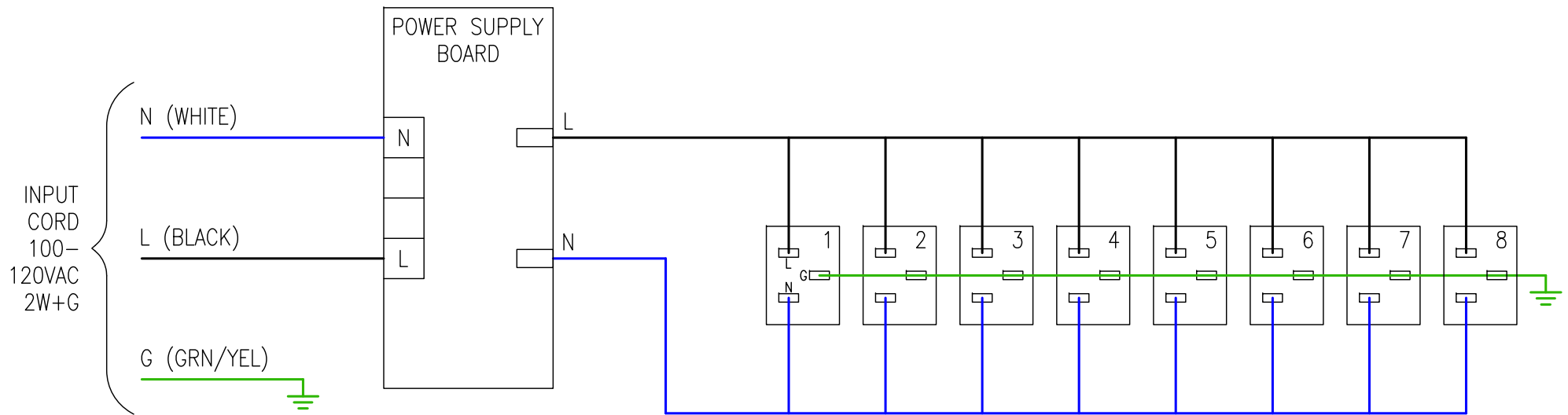
DETAIL A
DISPLAY INTERFACE
(ENLARGED)

THIS DRAWING AND SPECIFICATIONS HEREIN ARE THE PROPERTY OF SCHNEIDER ELECTRIC AND SHALL NOT BE COPIED, REPRODUCED OR USED IN WHOLE OR IN PART, AS THE BASIS FOR THE MANUFACTURE OR SALE OF ITEMS WITHOUT WRITTEN PERMISSION FROM SCHNEIDER ELECTRIC. THIS DRAWING IS BASED UPON LATEST AVAILABLE INFORMATION AND IS SUBJECT TO CHANGE WITHOUT NOTICE.



TITLE: RACK PDU 1U, METERED
100/120V, 15A
INPUT: NEMA 5-15P, 12FT CORD
OUTPUT: (8) NEMA 5-15R
ISOMETRIC AND DETAIL VIEWS
PROJECT: SUBMITTAL DRAWINGS | SHEET 2 OF 3

DWG NO:	AP7800	REV:	0
DRAWN BY:	V BUSH	16-NOV-10	THIRD
ENGINEER:	T HORSTMANN/J SUN	16-NOV-10	ANGLE
APPROVED BY:	B SHERIDAN/M LEPARD	16-NOV-10	PROJ



NOTES:

1. INSTALLATION SHALL COMPLY WITH ALL APPLICABLE NATIONAL, STATE, AND LOCAL CODES.
2. PLEASE REFER TO PRODUCT DOCUMENTATION FOR FURTHER INFORMATION
3. DRAWING DEPICTS POWER SYSTEM CONNECTIONS AND IS NOT REPRESENTATIVE OF PHYSICAL LAYOUT, PLEASE REFER TO MECHANICAL DRAWINGS FOR PHYSICAL LAYOUT.

THIS DRAWING AND SPECIFICATIONS HEREIN ARE THE PROPERTY OF SCHNEIDER ELECTRIC AND SHALL NOT BE COPIED, REPRODUCED OR USED IN WHOLE OR IN PART, AS THE BASIS FOR THE MANUFACTURE OR SALE OF ITEMS WITHOUT WRITTEN PERMISSION FROM SCHNEIDER ELECTRIC. THIS DRAWING IS BASED UPON LATEST AVAILABLE INFORMATION AND IS SUBJECT TO CHANGE WITHOUT NOTICE.



TITLE: RACK PDU 1U, METERED
100/120V, 15A
INPUT: NEMA 5-15P, 12FT CORD
OUTPUT: (8) NEMA 5-15R
ELECTRICAL SCHEMATIC

PROJECT: SUBMITTAL DRAWINGS | SHEET 3 OF 3

DWG NO: AP7800 REV. 0

DRAWN BY: V BUSH 16-NOV-10

ENGINEER: T HORSTMANN/J SUN 16-NOV-10

APPROVED BY: B SHERIDAN/M LEPARD 16-NOV-10

PROJ

ANGLE

N.A.