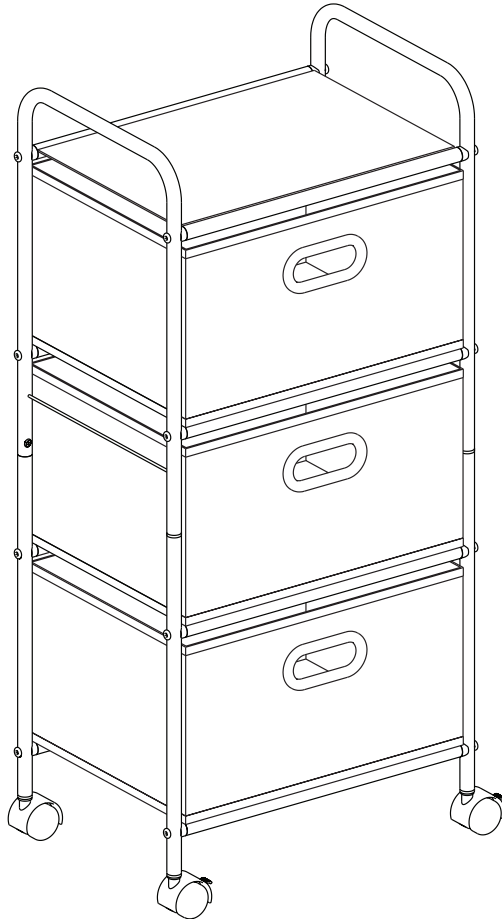




CRT-02184
CRT-02347
CRT-02348

3 drawer rolling fabric cart



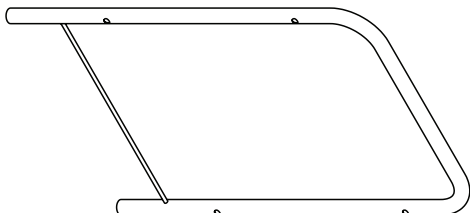
11.5 in L x 16.125 in W x 35.5 in H (29.2 cm L x 41 cm W x 90.2 cm H)

PARTS LIST

PART/ILLUSTRATION

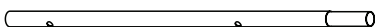
(QTY) DESCRIPTION

A



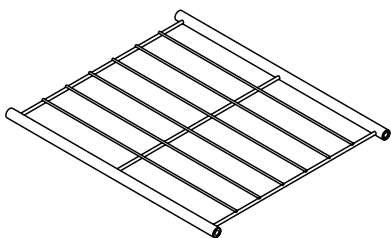
(2) upper side supports

B



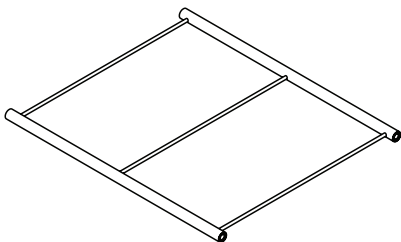
(4) bottom uprights

C



(1) top shelf

D



(3) lower shelves

E



(16) shelf bolts

E1



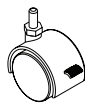
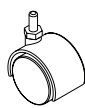
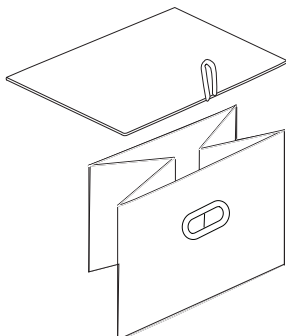
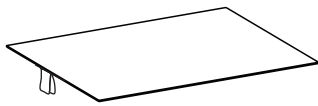

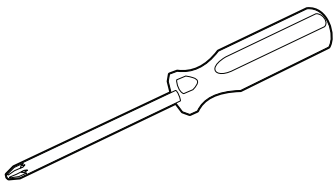
(4) locking screw

F



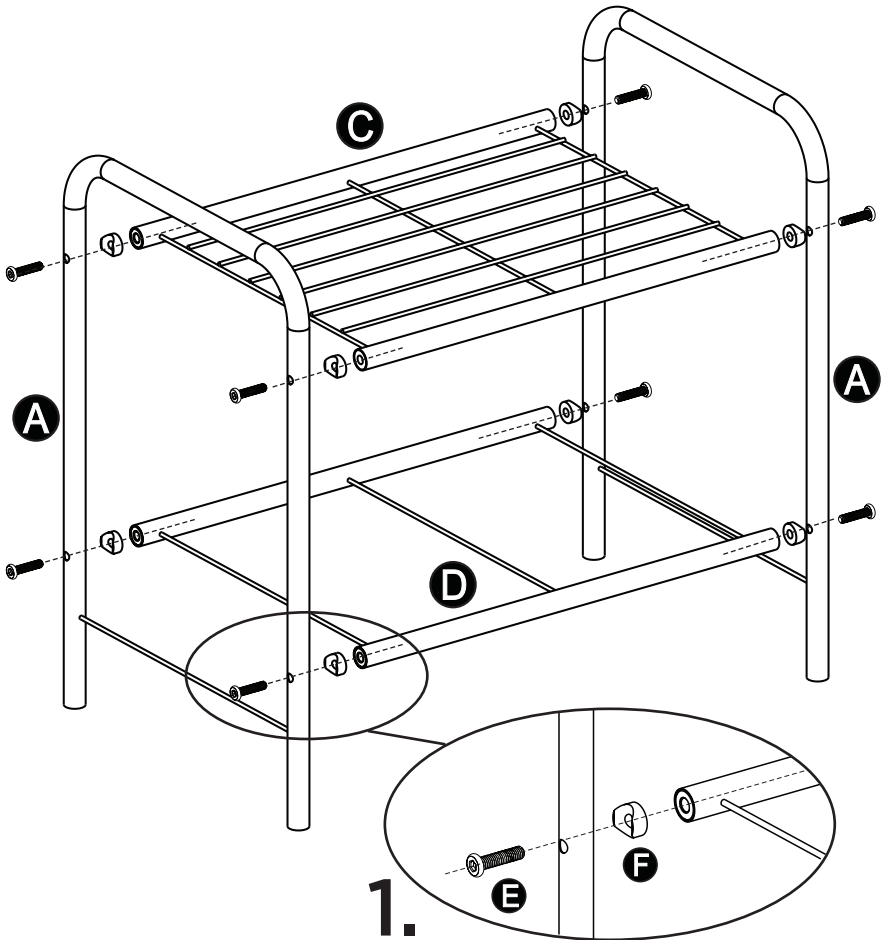
(16) shelf bushings

PARTS LIST

PART/ILLUSTRATION	(QTY) DESCRIPTION
G 	(2) locking wheels
H 	(2) wheels
I 	(3) fold out drawers <i>(with bottom panel)</i>
J 	(1) top shelf cover
K 	(1) bolt wrench
TOOLS NEEDED	(QTY) DESCRIPTION
	(1) phillips head screwdriver

ASSEMBLY

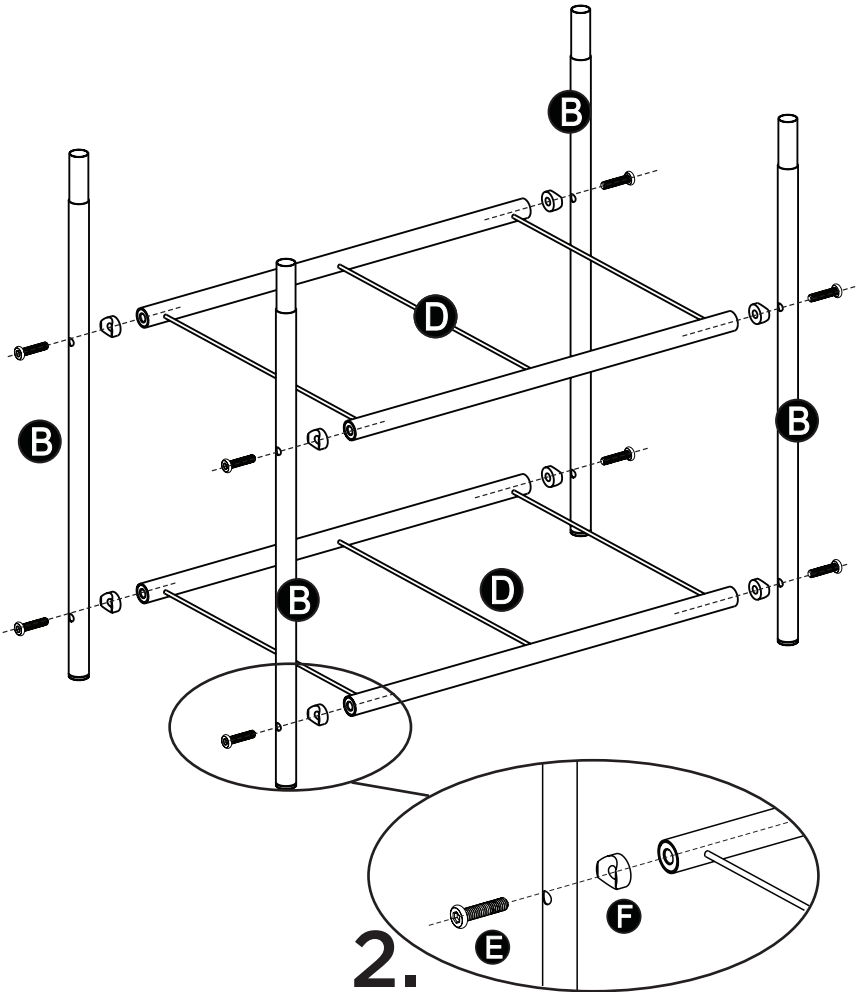
STEP 1



1. Connect top shelf (C) and one lower shelf (D) to both upper supports (A) using shelf bolts (E) and bushings (F). Be certain to correctly position shelf bushing (F) between shelf and upper supports. (see closeup inset 1).

ASSEMBLY

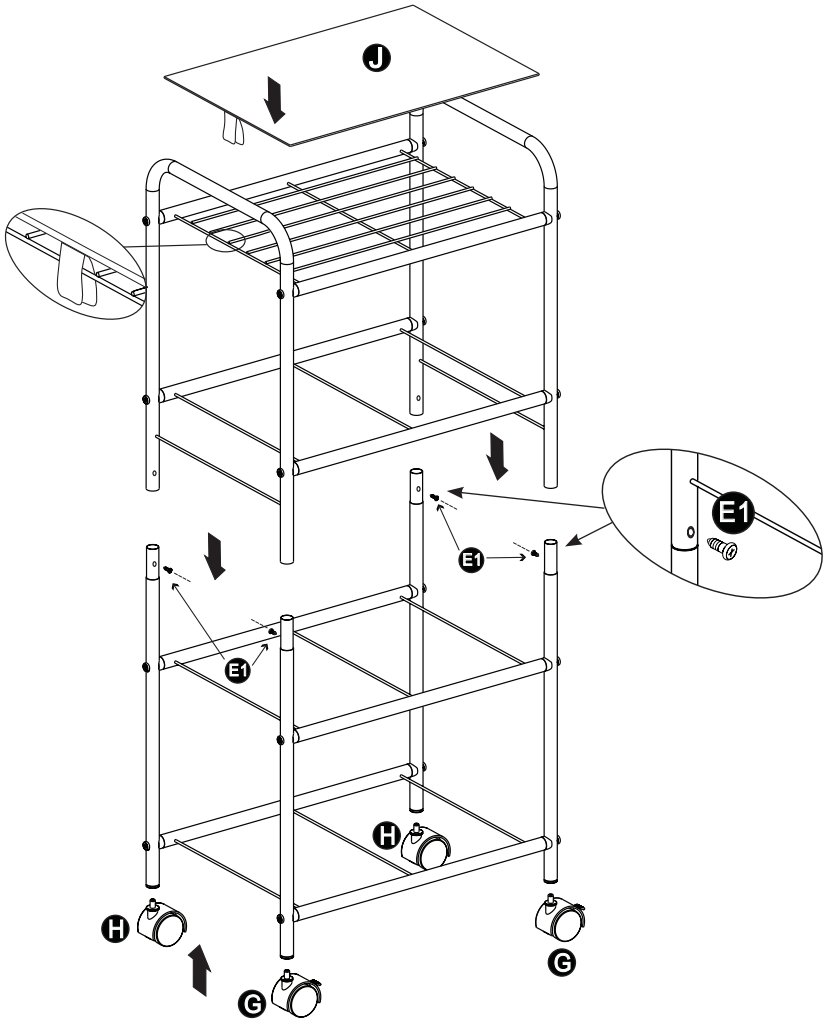
STEP 2



1. Connect remaining 2 lower shelves (D) to four lower uprights (B) using shelf bolts (E) and bushings (F). Be certain to correctly position shelf bushing (F) between shelf and upper supports. (see closeup inset 2).

ASSEMBLY

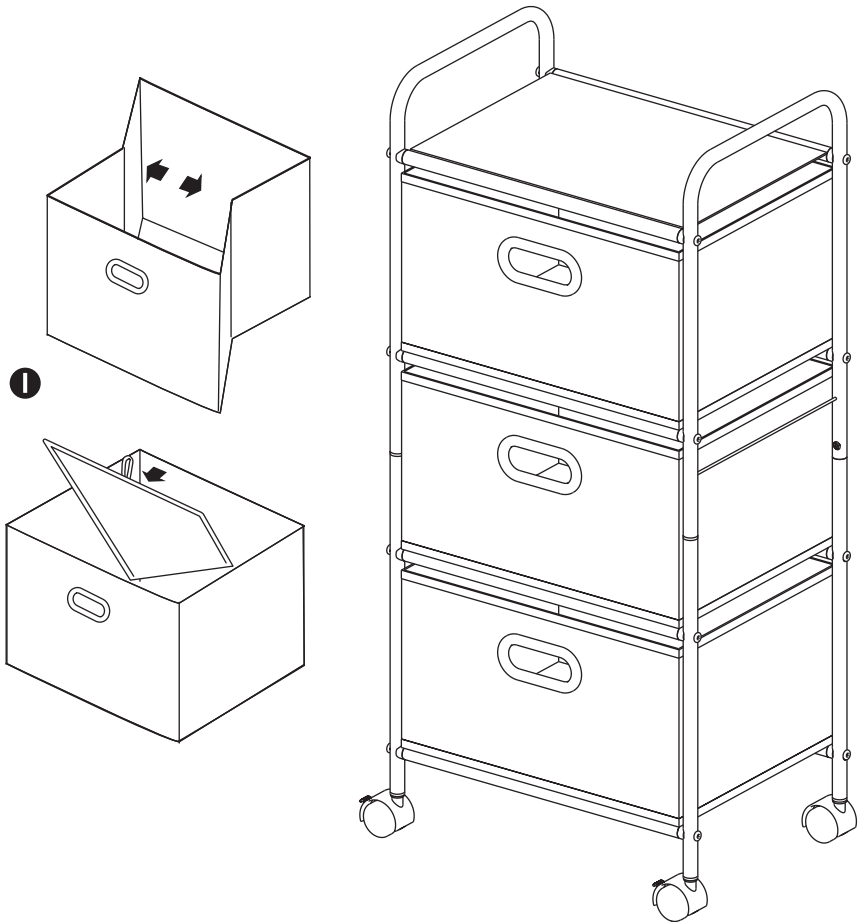
STEP 3



1. Connect the top unit to bottom unit and secure in place with locking screws (E1).
2. Place shelf cover (J) on top shelf and secure with hook and loop strap on each side.
3. Insert wheels (H) and (G) into the 4 bottom uprights by pressing firmly. They will click into place.

ASSEMBLY

STEP 4



1. Complete the assembly by unfolding the 3 fabric drawers (1) and inserting the bottom panel into each drawer. Place the drawers on each of the lower shelves and enjoy your new cart.



YOUR SOURCE FOR
ORGANIZATION,
STORAGE & STYLE

LIMITED LIFETIME WARRANTY

This product is warranted to be free of defects in material and workmanship for as long as the consumer owns the product. At Honey-Can-Do's option, defective product will be repaired, replaced or substituted with a product of equal value. For warranty service, e-mail Honey-Can-Do at warranties@honeycando.com or call at **(877) 242-2636** (Business Hours: 8a.m. to 4p.m. CST). You may also contact Honey-Can-Do at 5750 McDermott Drive, Berkeley, IL 60163. Do not dispose of the defective item until or unless you are specifically asked to do so by Honey-Can-Do as we may require return of the defective item. Honey-Can-Do shall in no event be liable for any incidental or consequential damages. Some states do not allow the exclusion or limitation of incidental or consequential damages, so the above exclusion may not apply to you. This warranty gives you specific legal rights, and you may also have additional rights, which may vary from state to state.

 PLEASE RECYCLE

120428