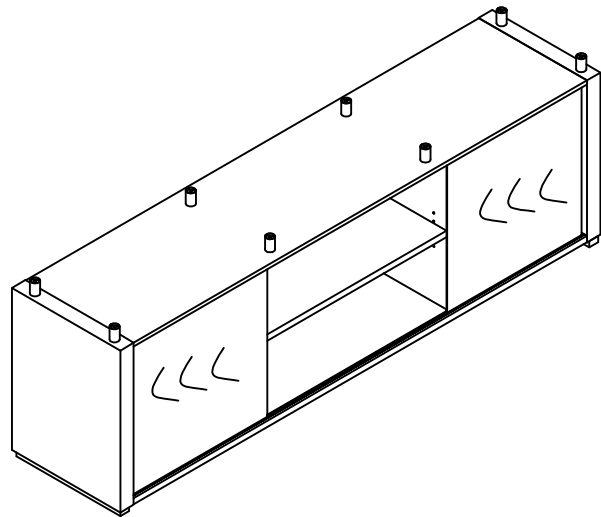




## Sterling Series™

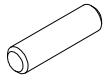



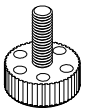

Low wall Cabinet, Acrylic Doors  
Model No. STLCC72/STLCC84






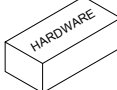


### ASSEMBLY INSTRUCTIONS

CALL 1-800-822-8037 FOR ASSISTANCE

## PARTS LIST

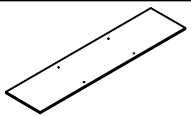
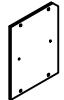
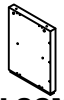
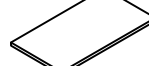
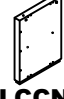
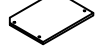





Name	Part	Qty.	Spare Qty
<b>A</b>	 <b>REALS004</b> Wood Dowel	<b>18</b>	<b>1</b>
<b>B</b>	 <b>REALS001</b> Cam	<b>38</b>	<b>1</b>
<b>C</b>	 <b>REALS002</b> Cam Post	<b>38</b>	<b>1</b>
<b>D</b>	 <b>REALS617**</b> Cam Sticker	<b>34</b>	<b>1</b>
<b>E</b>	 <b>REALS425</b> Leveler	<b>6</b>	
<b>F</b>	 <b>REALS607</b> Base Stand-off	<b>8</b>	

Name	Part	Qty.	Spare Qty
<b>G</b>	 <b>REALS606</b> M6 x 25mm	<b>8</b>	<b>1</b>
<b>H</b>	 <b>REALS009</b> Shelf Support	<b>4</b>	<b>1</b>
<b>I</b>	 <b>REALS632</b> Ø4x40mm	<b>4</b>	<b>1</b>
<b>J</b>	 <b>REALS104</b> Grommet	<b>2</b>	
<b>K</b>	 <b>REALS518</b> Cap	<b>4</b>	<b>1</b>
	 <b>STLCCHB</b>		

Items with HB are in hardware box.

\*\*Denotes Color Code

# PARTS LIST

Name	Part	Qty.	Name	Part	Qty.
L	 <b>STLCC~L**</b> Top	1	R	 <b>STLCCR**</b> Right inside Panel	1
M	 <b>STLCCM**</b> Left Side Panel	1	S	 <b>STLCC~S**</b> Shelf Panel	1
N	 <b>STLCCN**</b> Right Side Panel	1	T	 <b>STLCC~T**</b> fixed Shelf Panel	2
O	 <b>STLCC~O**</b> Bottom Panel	1	U	 <b>STLCC~U**</b> Slat for bottom panel	1
P	 <b>STLCC~P**</b> Back Panel	1	V	 <b>STLCC~V</b> Acrylic Doors	2
Q	 <b>STLCCQ**</b> Left inside Panel	1			

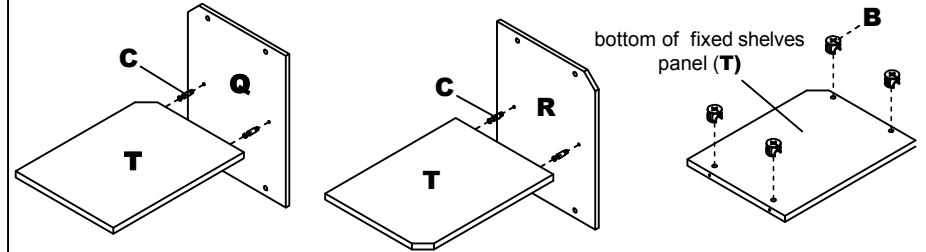
\*\*Denotes Color Code  
~ Denotes Size-72/66

2

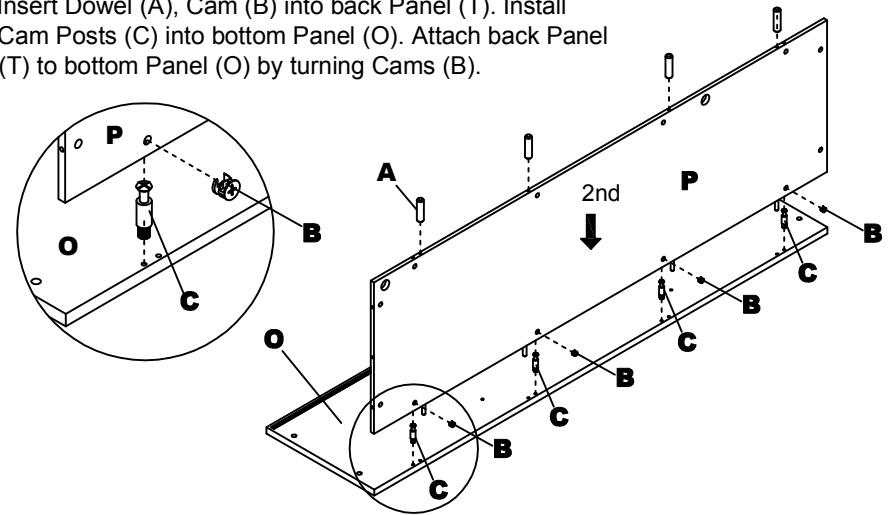
## IMPORTANT!

**Review ALL instructions before beginning assembly.** These instructions are provided to avoid problems that may occur from improper assembly or installation. Mayline and/or its distributor are not responsible for failure resulting from improper assembly or installation of this product. Moreover, all warranties are void for failure to follow these assembly instructions.

- 1 Insert Cam (B) into fixed shelves Panel (T). Install Cam Posts (C) into inside Panels (Q/R). Attach inside Panel (Q/R) to fixed shelves Panel (T).

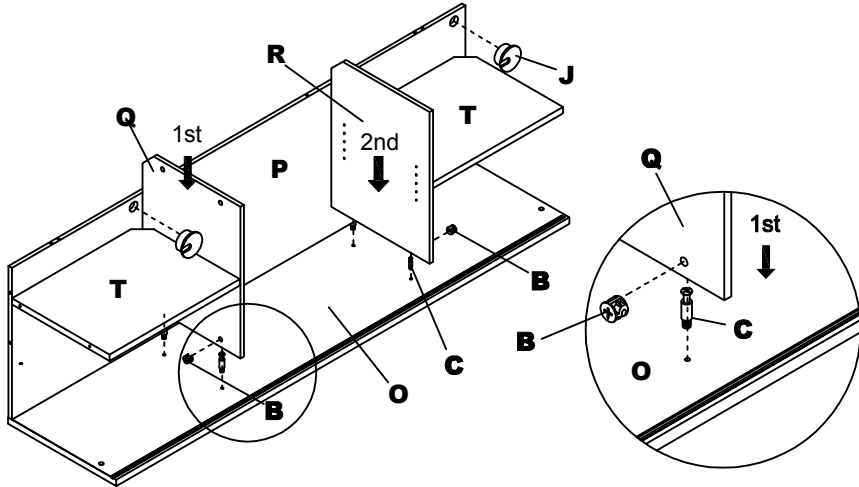


Insert Dowel (A), Cam (B) into back Panel (T). Install Cam Posts (C) into bottom Panel (O). Attach back Panel (T) to bottom Panel (O) by turning Cams (B).

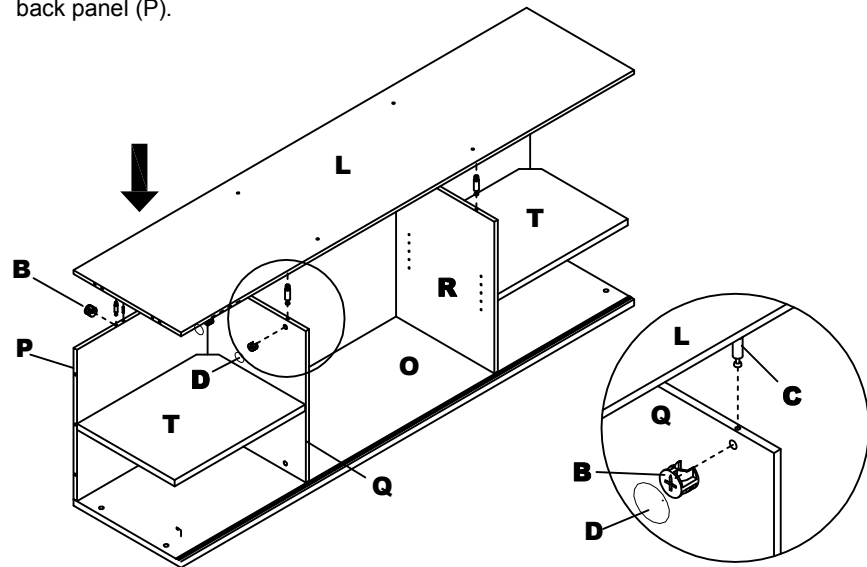


3

- 2** Insert Cam (B) into inside Panel(Q,R) . Install Cam Posts (C) into bottom Panel (O). Attach inside(Q,R) Panel to bottom Panel (O) by turning Cams (B). Install grommets (J) into back panel(P) .

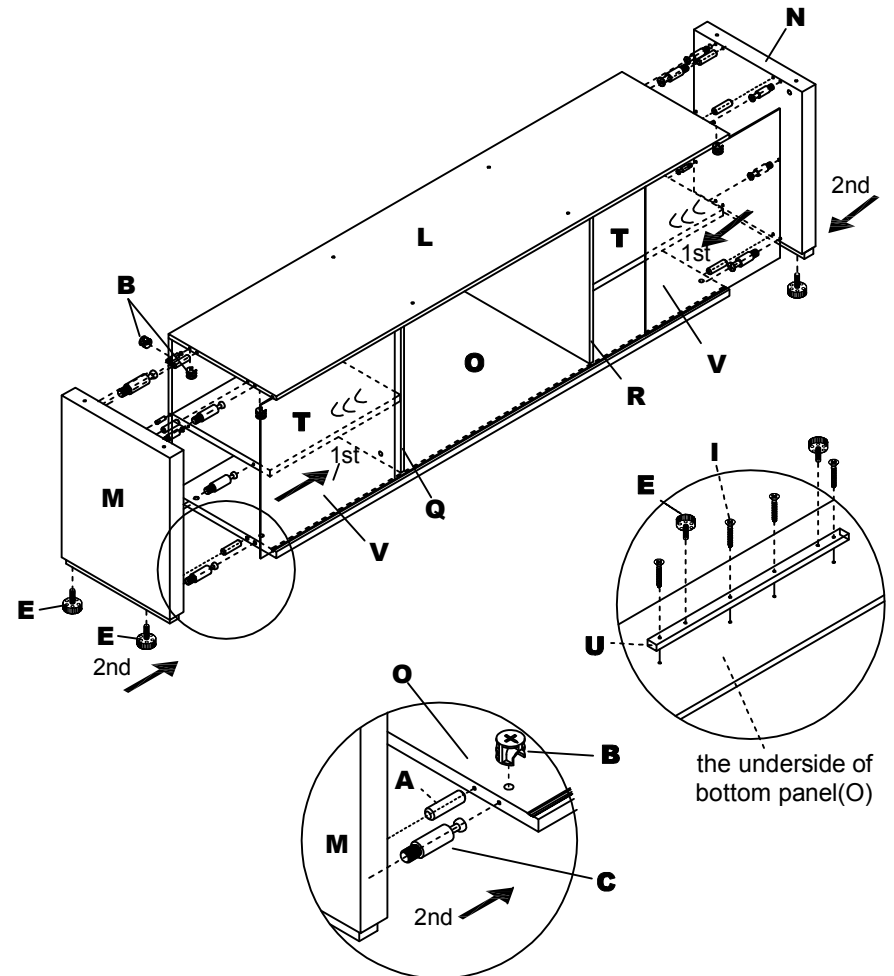


- 3** Insert Cam (B) into inside Panel (Q,R) and back panel (P). Install Cam Posts (C) into top Panel (L). Attach top Panel (L) to inside Panel(Q,R) and back panel (P) by turning Cams (B). Apply Cam Stickers (D) to Cams (B) of inside Panel (Q,R), back panel (P).



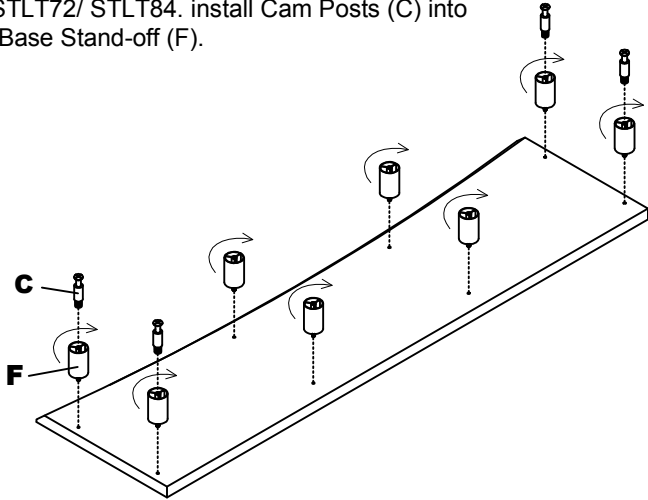
**4**

- 4** Insert Wood Dowels (A) into Top Panel ( L) and back panel(p). Insert Cam (B) into Top Panel ( L) and back panel(p) . Install Cam Posts (C) into side panel(M&N). Slide Acrylic Doors (V) into groove in TOP (P)and bottom panel(o) Attach side panels(M&N)to Top Panel ( L) and back panel(p),fixed shelves panel(T) by turning Cams (B).

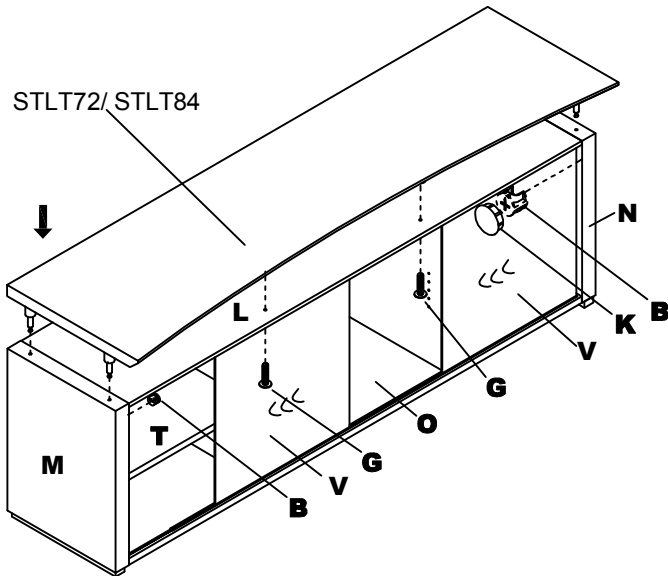


**5**

- 5** Install Base Stand-off (F) into threaded inserts in underside of Top STL72/ STL84. install Cam Posts (C) into Base Stand-off (F).

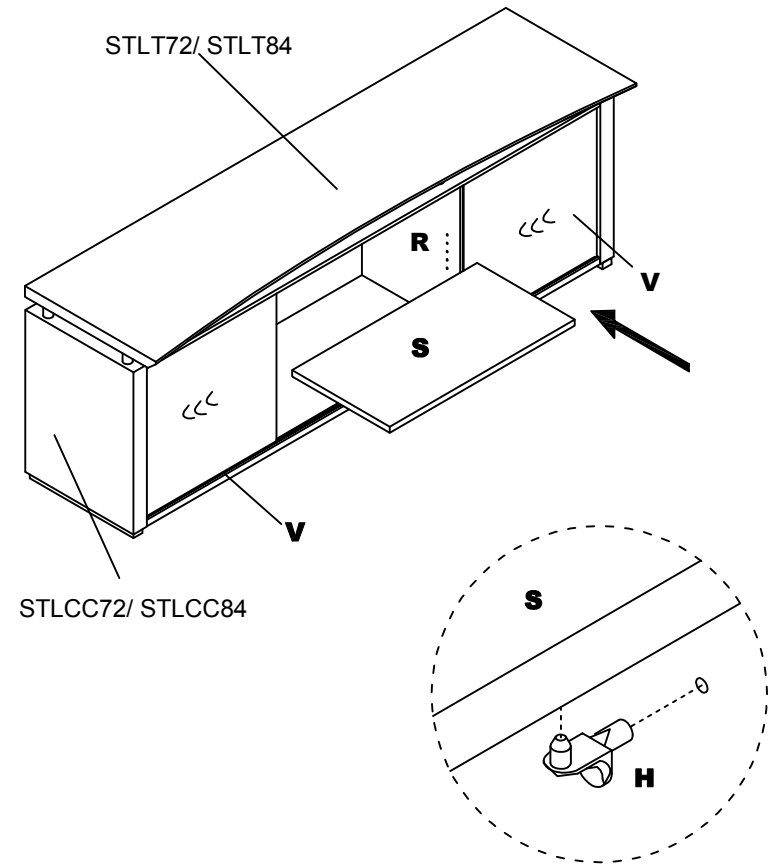


- 5** Insert Cam (B) into side Panel (L) and back panel(p). Install the cabinet Top STL72/ STL84 to the Cabinet body STLCC72/84 using Screws (G). Apply Cap(k) to Cams (B) of Side Panel (M &N).



**6**

- 6** Insert Shelf Supports (H) into the inside Panels (Q & R) at the desired height. Put the Shelf Panel (S) on the Shelf Supports (H).



**7**