


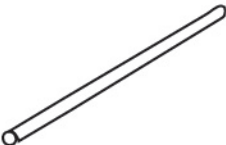
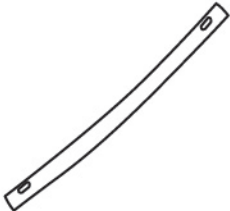



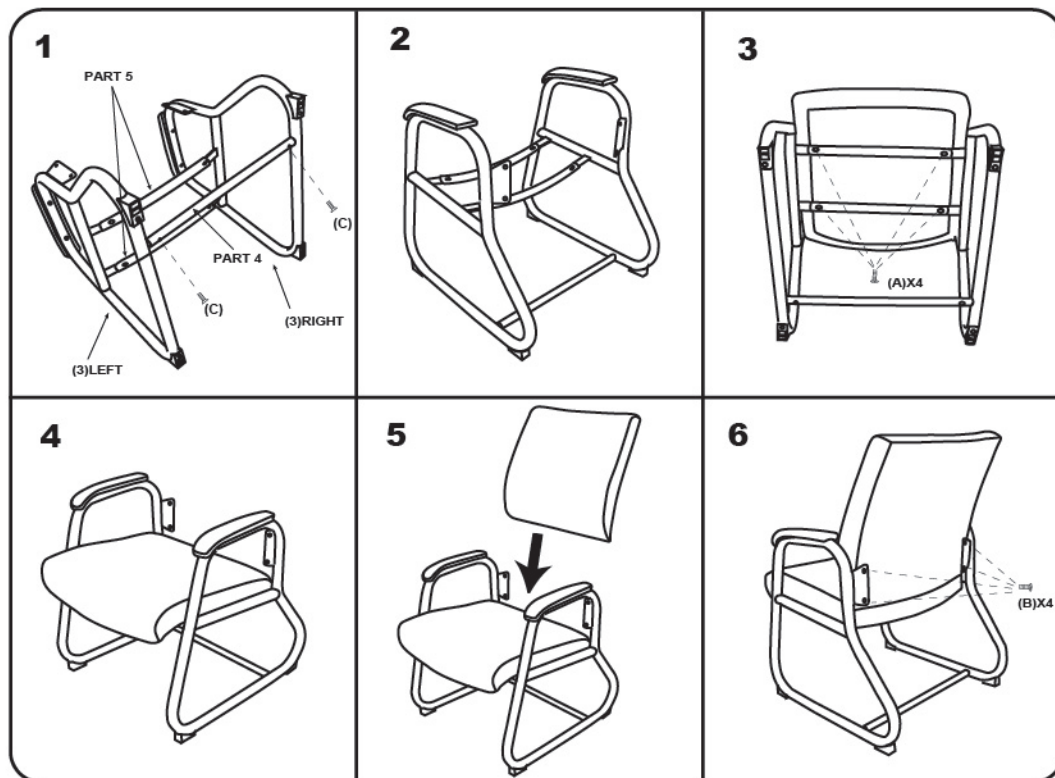


**IMPORTANT NOTICE:
HARDWARE PACKAGE IS ATTACHED
ON THE BOTTOM OF SEAT CUSHION.**

MODEL : B7719 B709

(1)x1  Back	(2)x1  Seat	(3)x1 (L)x1 (R)  Right Frame & Left Frame
(4)x1  Connecting Bar	(5)x2 	
(A)x4  M6*40 SEAT SCREW	(B)x4  M6*25 BACK SCREW	(C)x2  M6*14 CONNECTING BAR SCREW (Please find these 2 screws on sled base.)



Insert and loosely tighten all screws. When assembly is completed, fully tighten all screws before using. This chair is only intended for sitting. Any other use will void the warranty.

