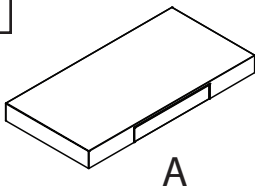


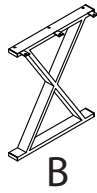
Part # OFD\_TM\_LSTR XX

14-0528

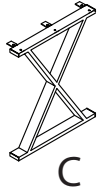
**PARTS**



A



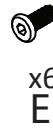
B



C



x6  
D



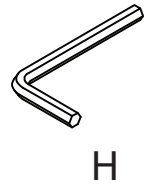
x6  
E



F

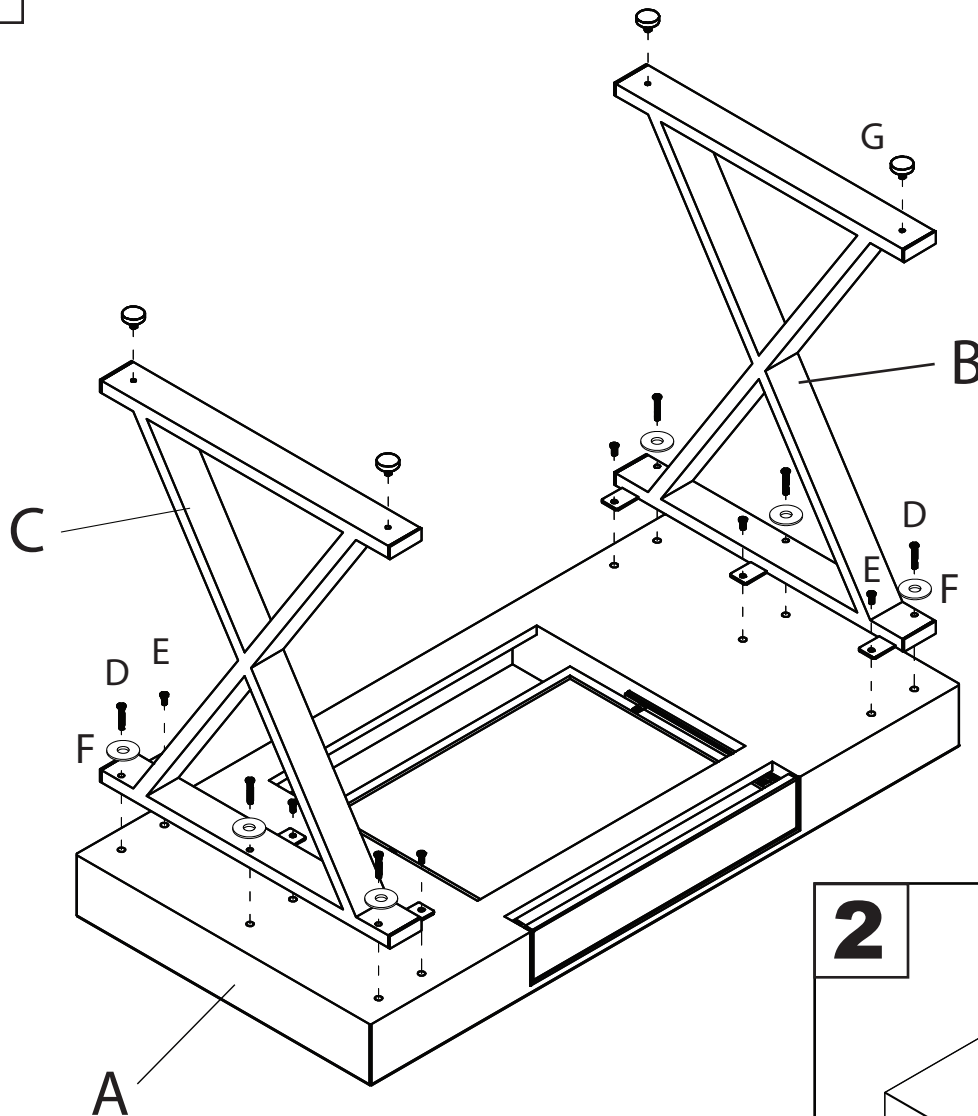


x4  
G

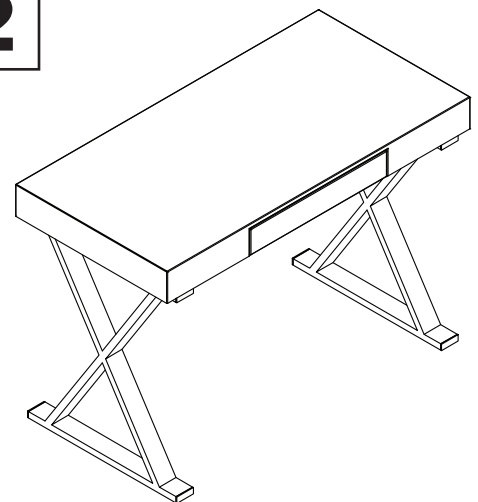


H

**1**



**2**



Do not over tighten.  
 Do not use power tools to assemble.