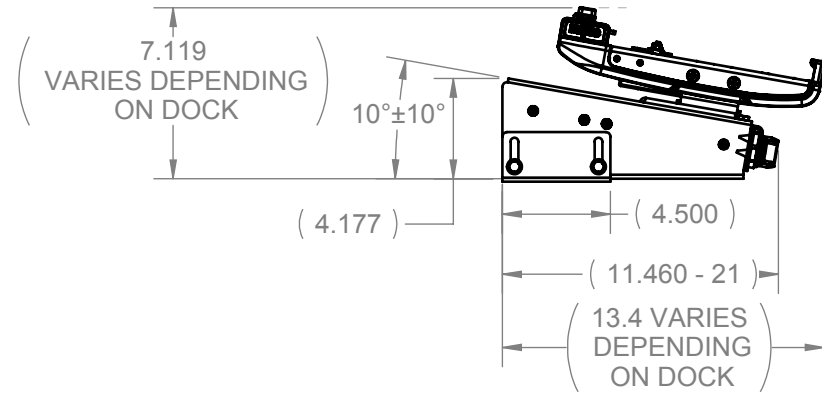
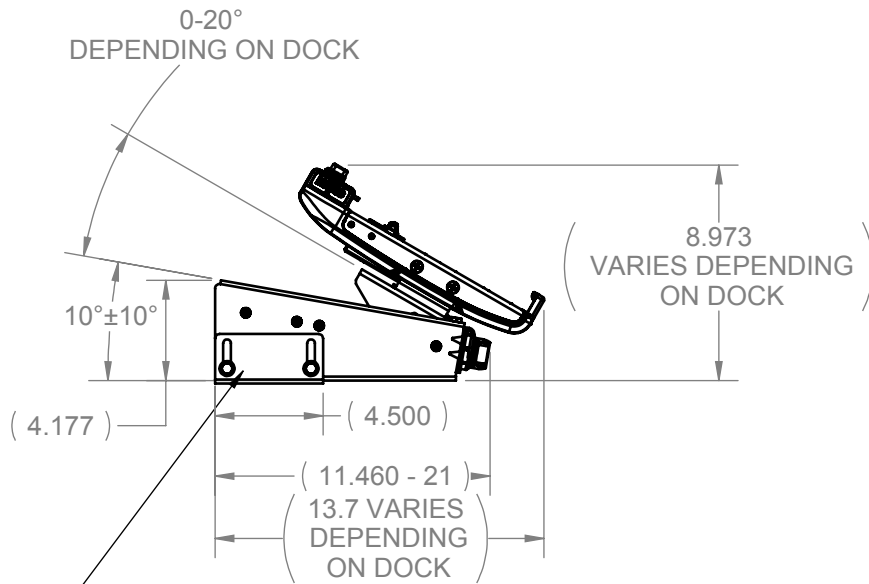
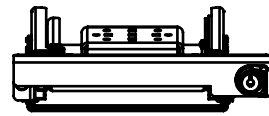
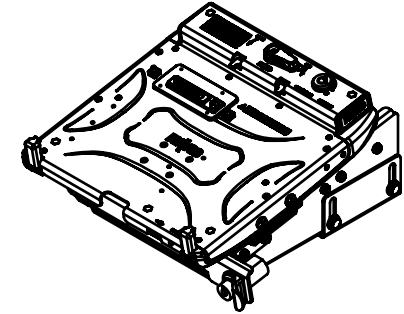
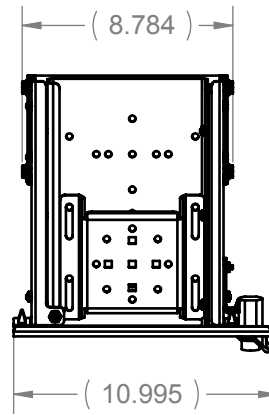
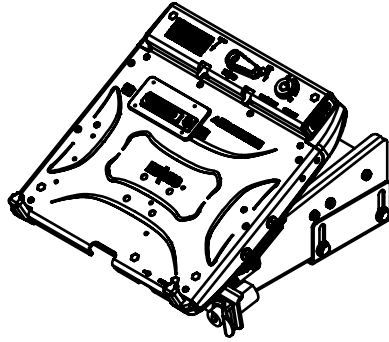


C-MD-301  
 C-MD-202 USING NYLOCK  
 INSTEAD OF SHORT HANDLE  
 DS-PAN-212

C-MD-301  
 DS-PAN-212



ASSEMBLY CAN BE MOUNTED DIRECTLY TO FLAT SURFACE OR USE INCLUDED BRACKET FOR EXTRA 1" OF HEIGHT ADJUSTABLE MOUNTING ANGLE AND SMALLER FOOTPRINT

## C-MD-301 DIMENSIONS

