


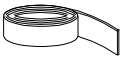
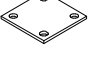





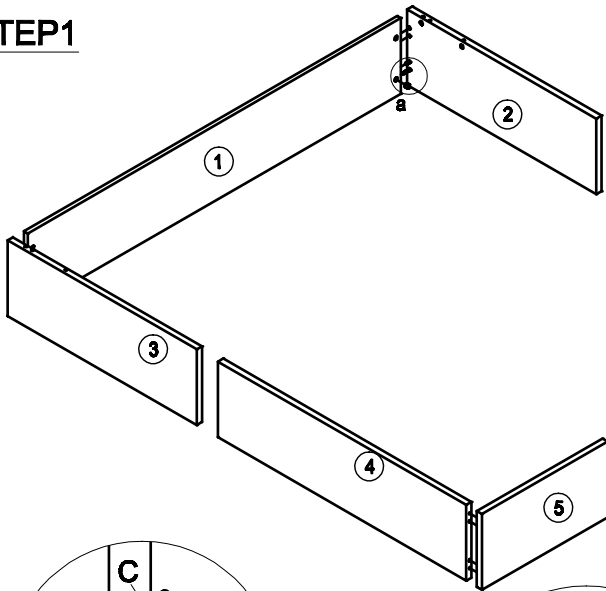


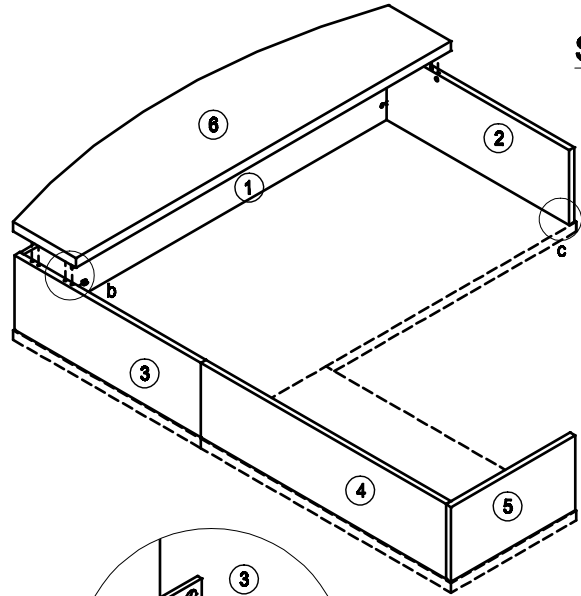
Assembly Instructions
MODEL NO.: LLR 69700/LLR 69701
RECEPTION DESK HOB Match for 1680x750Desk Shell 1050x600 Return

A  Cam LOCK 14PCS	B  Klix Cam 14PCS	C  Dowel 10PCS	D  Double Stick 1PC	E  I-Bracket 2PCS	F  Screw #4-9/16" 8PCS	G  Cam Cover 14PCS	H  Cam Cover 2 PCS	I  Cam Cover 2 PCS	J  Cam Cover 2 PCS
--	--	---	--	--	---	--	---	---	---

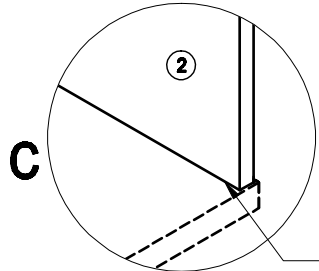
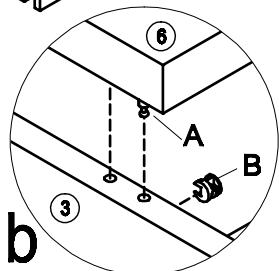
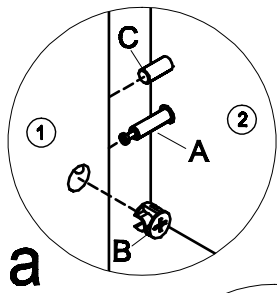
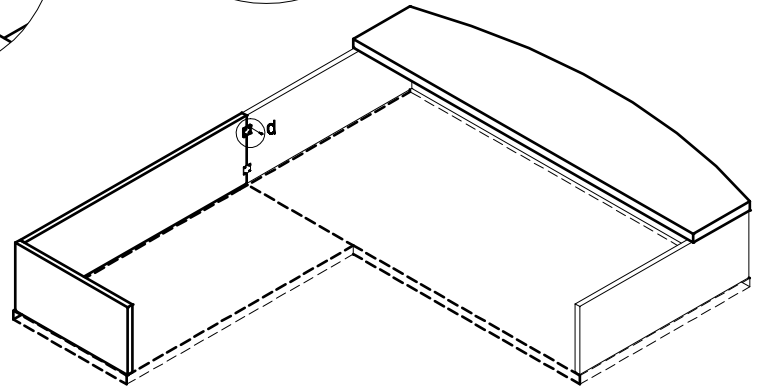
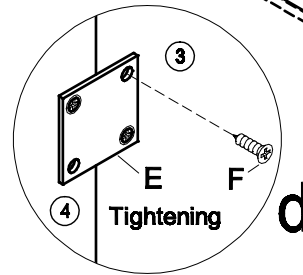
STEP1



STEP2



STEP3



Pls use the double stick to attach the topper and desk

IMPORTANT:

FUNCTION OF KLIX CAM



1/4 RIGHT TURN FOR LOCKING

MAKE SURE THE ARROW IS POINTING UPWARDS BEFORE INSERTING INTO THE PANEL'S HOLE.



COMPLETED ASSEMBLY

IMPORTANT NOTE:

- Place all laminated parts on a clean and smooth surface such as a rug or carpet to avoid the parts from being scratched.
- Check to be sure that you have all parts and hardware.
- Remove all wrapping materials, including staples & packing straps before you start to assemble.
- Don't tighten all screws/bolts until all completely assembled.
- Keep all hardware parts out of reach of children.
- It is recommended to require 2 persons to complete the assembly.