


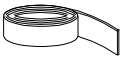
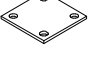





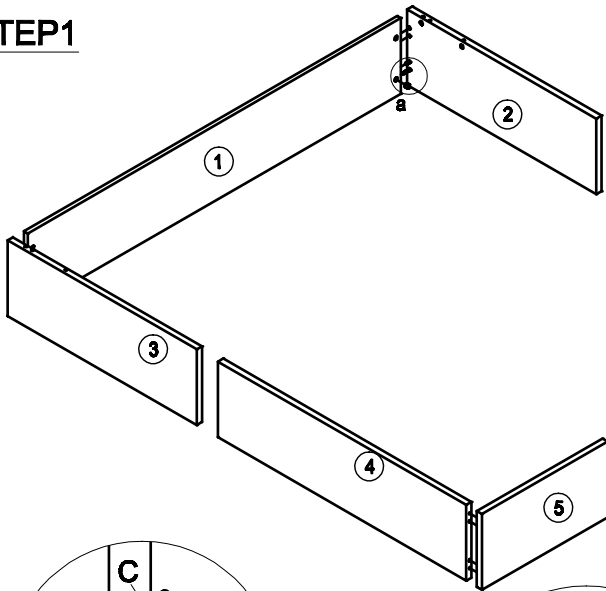


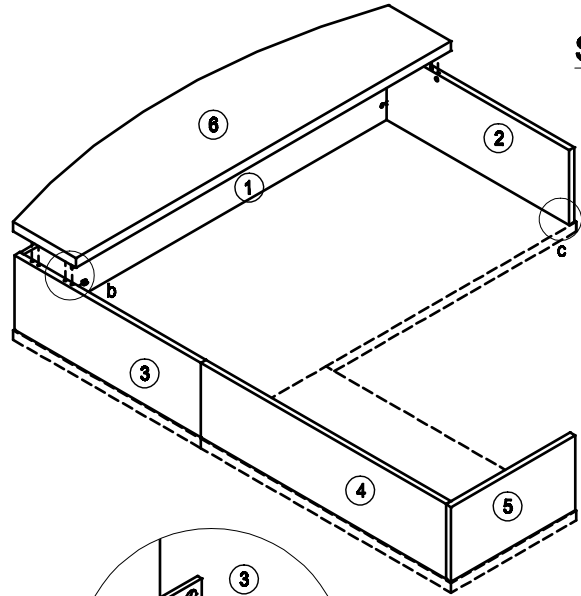
**Assembly Instructions**  
**MODEL NO.: LLR 69700/LLR 69701**  
**RECEPTION DESK HOB Match for 1680x750Desk Shell 1050x600 Return**

<b>A</b>  Cam LOCK 14PCS	<b>B</b>  Klix Cam 14PCS	<b>C</b>  Dowel 10PCS	<b>D</b>  Double Stick 1PC	<b>E</b>  I-Bracket 2PCS	<b>F</b>  Screw #4-9/8" 8PCS	<b>G</b>  Cam Cover 14PCS	<b>H</b>  Cam Cover 2 PCS	<b>I</b>  Cam Cover 2 PCS	<b>J</b>  Cam Cover 2 PCS
--	--	---	--	--	--	--	---	---	---

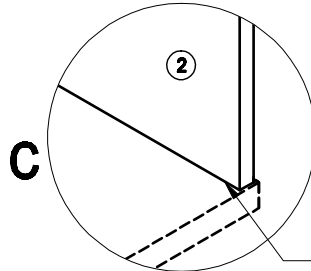
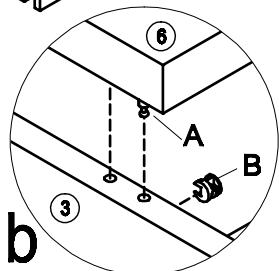
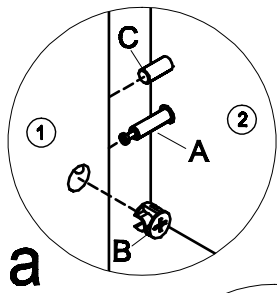
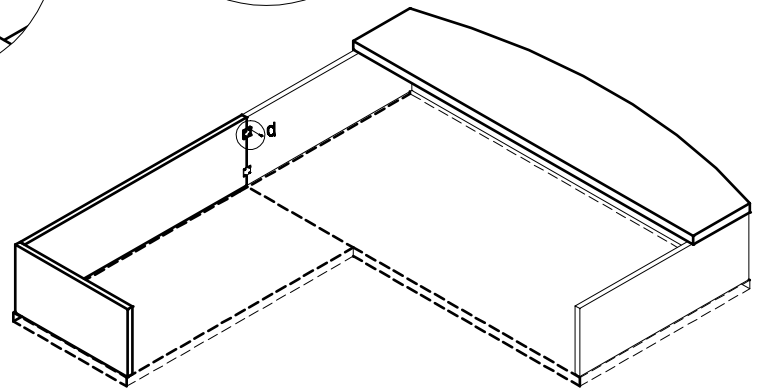
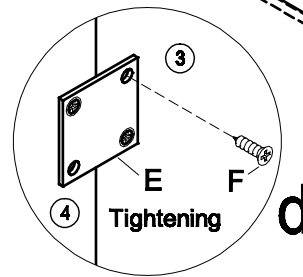
**STEP1**



**STEP2**



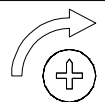
**STEP3**



Pls use the double stick to attach the topper and desk

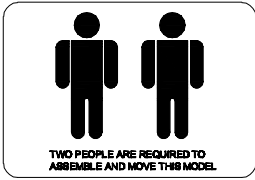
**IMPORTANT:**

**FUNCTION OF KLIX CAM**



**1/4 RIGHT TURN FOR LOCKING**

MAKE SURE THE ARROW IS POINTING UPWARDS BEFORE INSERTING INTO THE PANEL'S HOLE.



**COMPLETED ASSEMBLY**

**IMPORTANT NOTE:**

- Place all laminated parts on a clean and smooth surface such as a rug or carpet to avoid the parts from being scratched.
- Check to be sure that you have all parts and hardware.
- Remove all wrapping materials, including staples & packing straps before you start to assemble.
- Don't tighten all screws/bolts until all completely assembled.
- Keep all hardware parts out of reach of children.
- It is recommended to require 2 persons to complete the assembly.