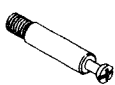


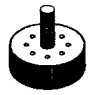
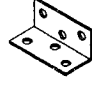
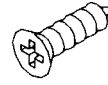

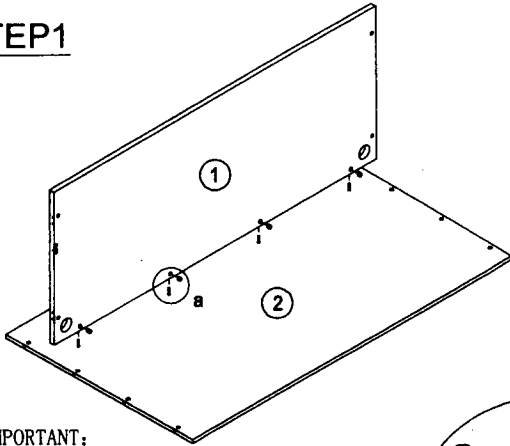


Assembly Instructions
MODEL NO.: N169
 GALLERY DESK

TUN010CL	TUN011KC	TUN026	TUN021AG	TUN013LB	TUN018SC	TUN015BG
A  Cam LOCK 22PCS	B  Klix Cam 22PCS	C  Dowel 9PCS	D  Adjustable Glide 4PCS	E  6 Hole L-Bracket 6PCS	F  Screw #4*5/8" 36PCS	G  60mm Black Grommet 2PCS

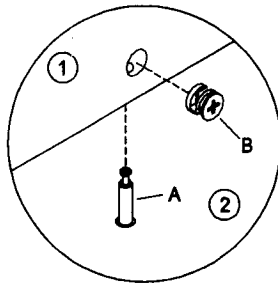
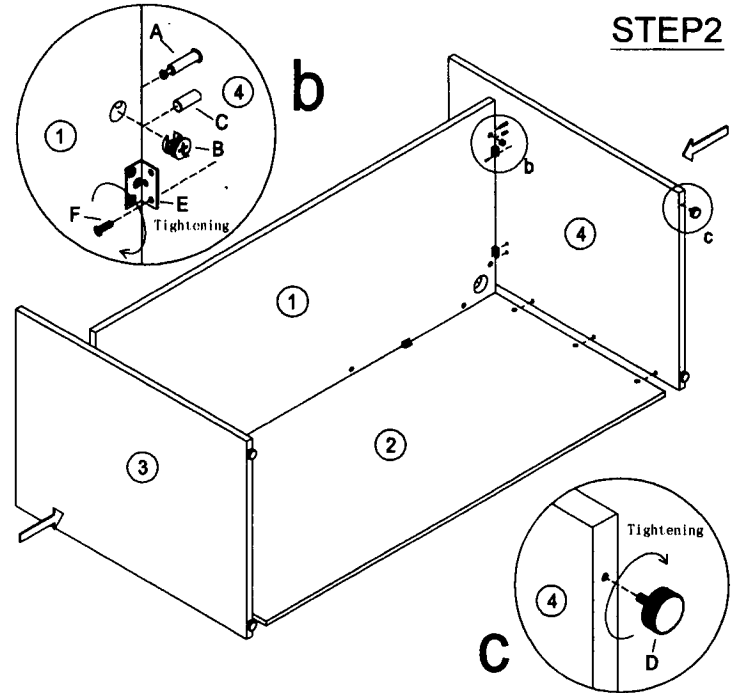
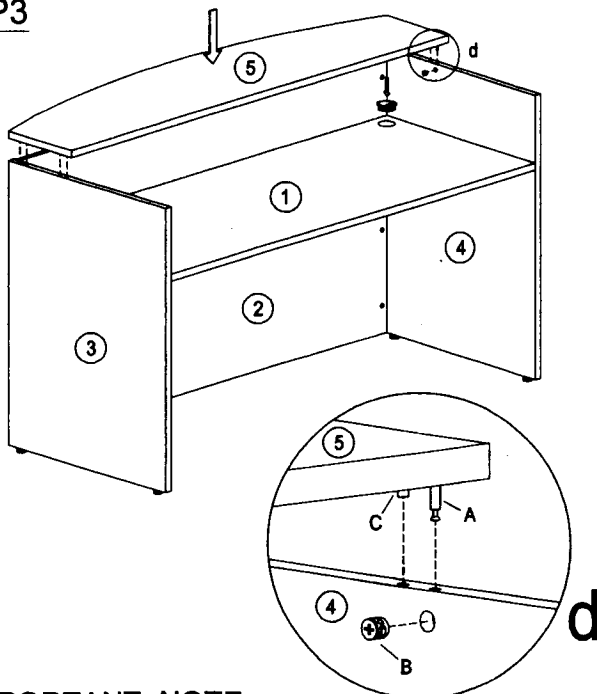
STEP1

IMPORTANT:

FUNCTION OF KLIX CAM

1/4 RIGHT
TURN FOR
LOCKING

MAKE SURE THE ARROW IS
POINTING UPWARDS
BEFORE INSERTING INTO
THE PANEL'S HOLE.










**STEP2****STEP3****COMPLETED ASSEMBLY****IMPORTANT NOTE:**

- Place all laminated parts on a clean and smooth surface such as a rug or carpet to avoid the parts from being scratched.
- Check to be sure that you have all parts and hardware.
- Remove all wrapping materials, including staples & packing straps before you start to assemble.
- Don't tighten all screws/bolts until all completely assembled.

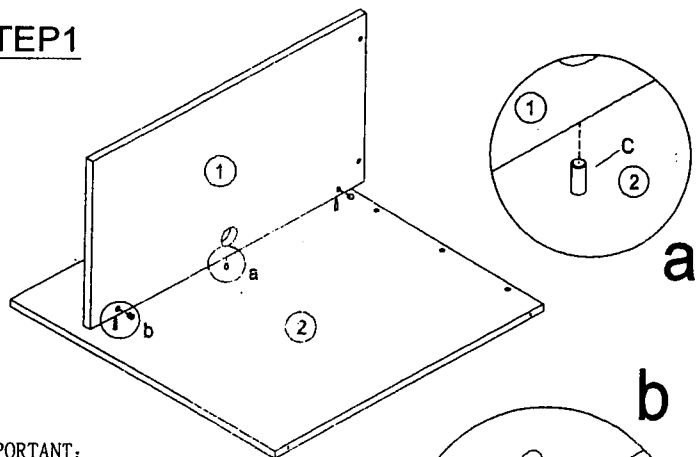
Assembly Instructions

MODEL NO.:N180

GALLERY RETURN

TUN010CL	TUN011KC	TUN026	TUN021AG	TUN013LB	TUN0191B	TUN018SC	TUN015BG	TUN012HC
A  Cam LOCK 8PCS	B  Klix Cam 8PCS	C  Dowel 3PCS	D  Adjustable Glide 2PCS	E  6 Hole L-Bracket 3PCS	F  I-Bracket 3PCS	G  Screw #4*5/8" 36PCS	H  60mm Black Grommet 1PCS	I  Sticker 20PCS

STEP1



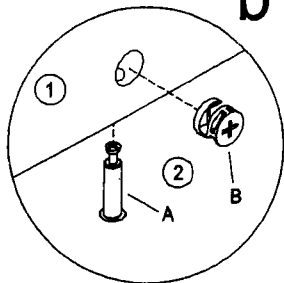
IMPORTANT:

FUNCTION OF KLIX CAM

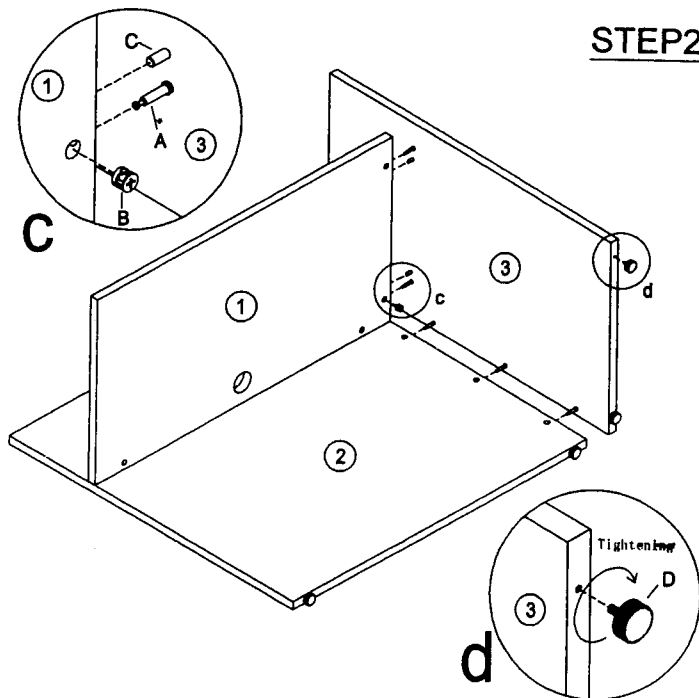


1/4 RIGHT TURN FOR LOCKING

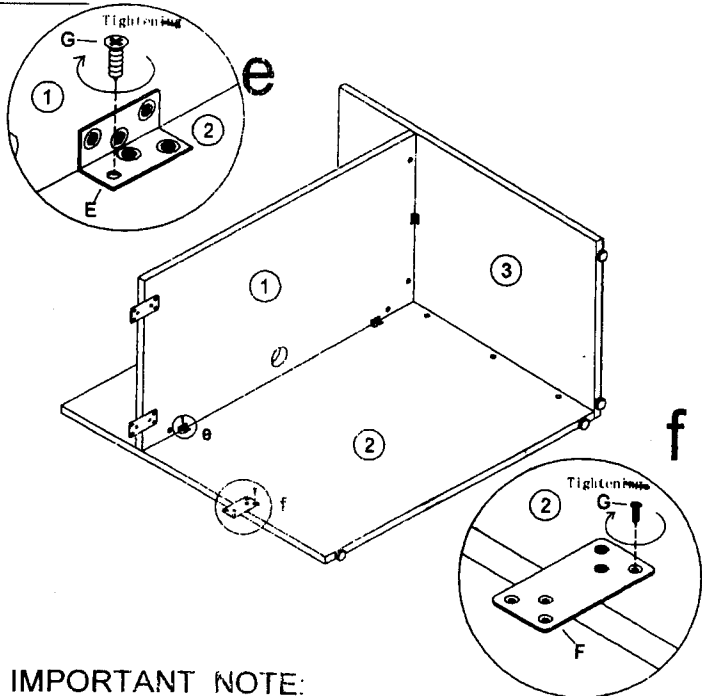
MAKE SURE THE ARROW IS POINTING UPWARDS BEFORE INSERTING INTO THE PANEL'S HOLE.



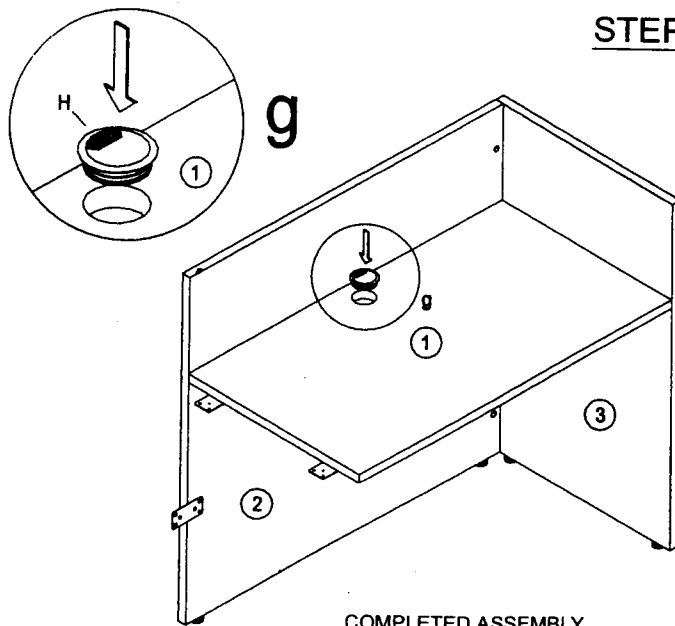
STEP2



STEP3



STEP4



COMPLETED ASSEMBLY

IMPORTANT NOTE:

- Place all laminated parts on a clean and smooth surface such as a rug or carpet to avoid the parts from being scratched.
- Check to be sure that you have all parts and hardware.
- Remove all wrapping materials, including staples & packing straps before you start to assemble.