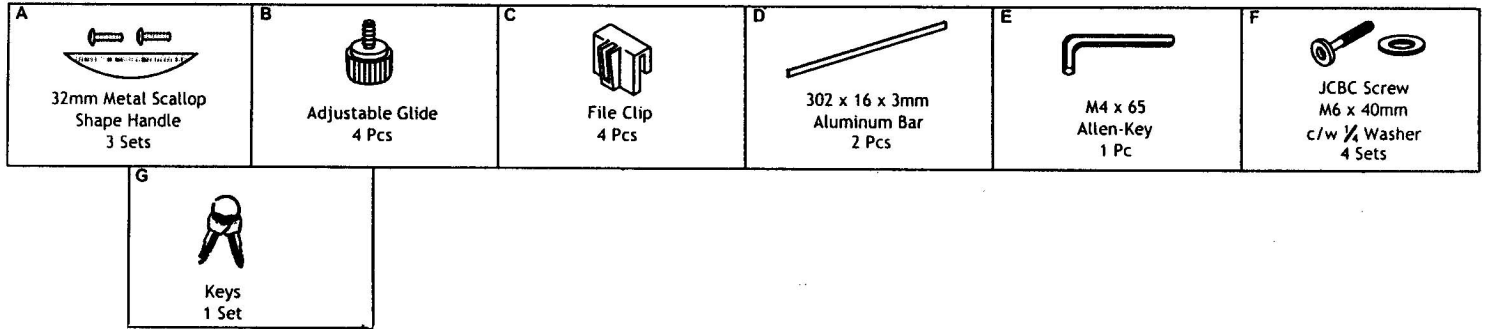


Assembly Instructions

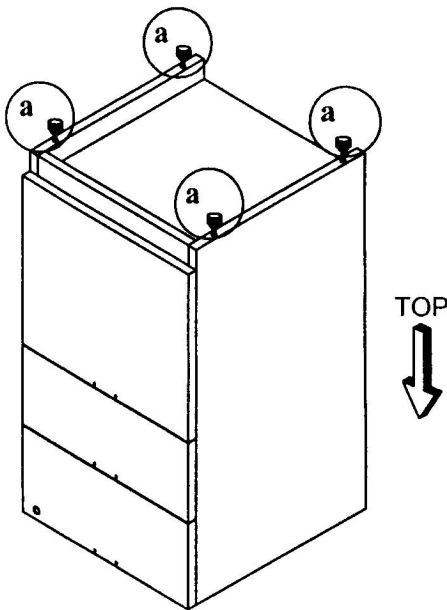
MODEL NO. : N 166

BOX / FILE PEDESTAL

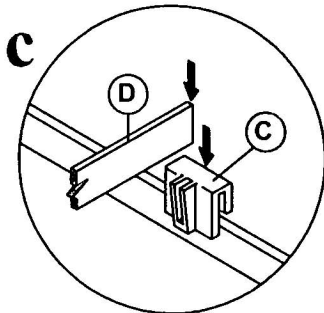
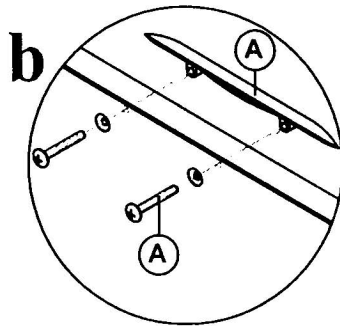
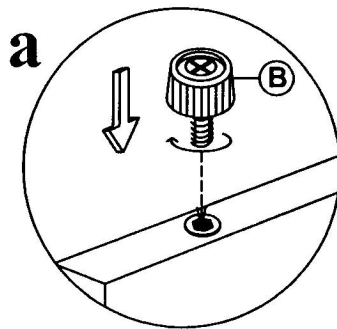
Thank you for purchasing the "N" product.



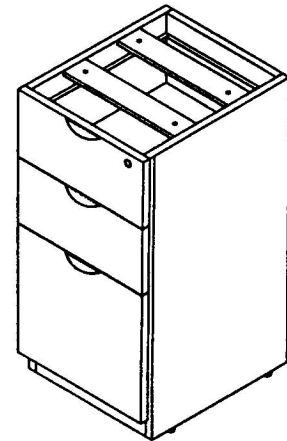
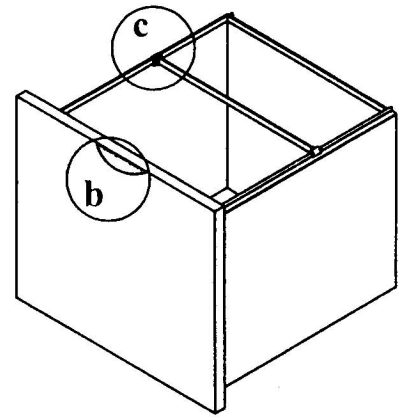
STEP 1



TOP
↓



STEP 2



COMPLETED ASSEMBLY

IMPORTANT NOTE :

- Place all wooden parts on a clean and smooth surface such as a rug or carpet to avoid the parts from being scratched.
- Check to be sure that you have all parts and hardware.
- Remove all wrapping materials, including staples & packing straps before you start to assemble.
- Do not tighten all screws/bolts until all completely assembled.
- Keep all hardware parts out of reach of children.