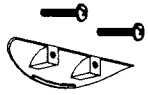
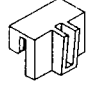


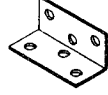
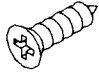

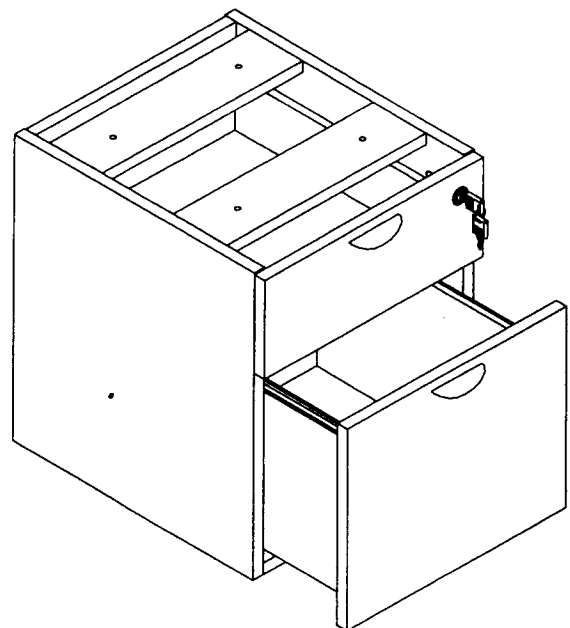
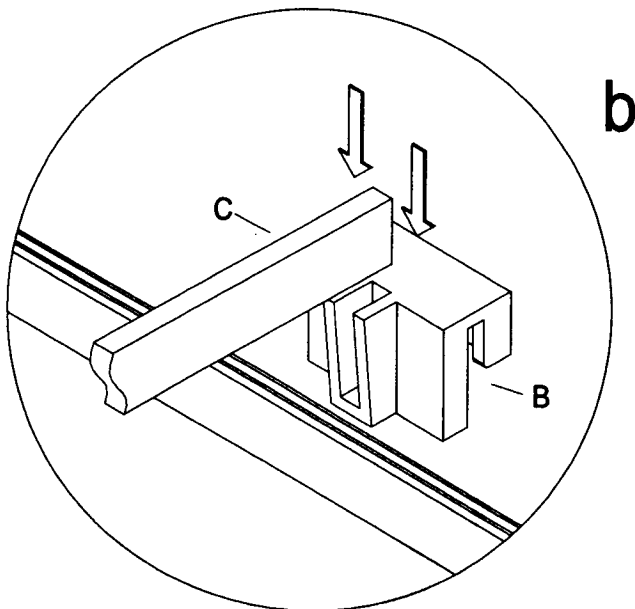
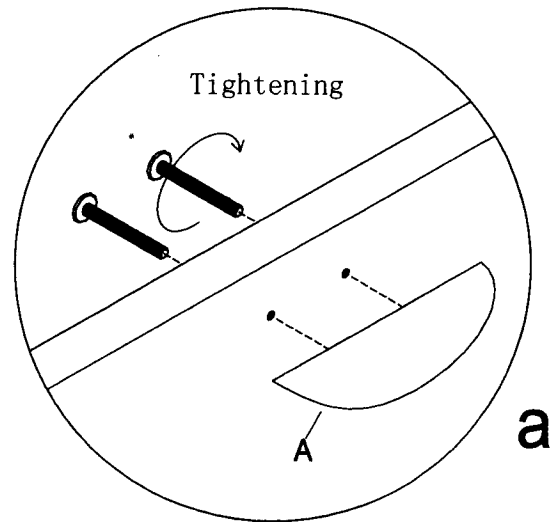
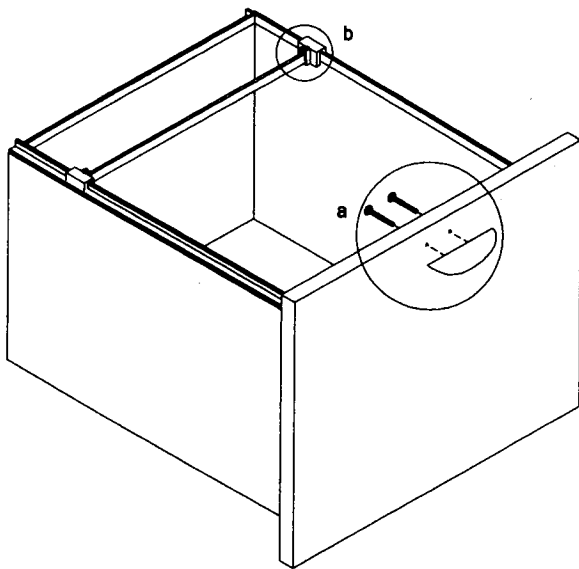


# Assembly Instructions

## MODEL NO.:N108

### BOX/FILE PEDESTAL

TUN005MH	TUN001FC	TUN002AB	TUN027SC	TUN013LB6	TUN014SC	
<b>A</b>  32mm Metal Scallop Shape Handle 2 Sets	<b>B</b>  File Clip 2 Pcs	<b>C</b>  300*16*3mm Aluminum Bar 1 Pc	<b>D</b>  Screw M6*30mm 4 Pcs	<b>E</b>  6 Hole L-Bracket 2 Pcs	<b>F</b>  Screw #4*5/8" 12 Pcs	<b>G</b>  Keys 1 Set



COMPLETED ASSEMBLY

#### IMPORTANT NOTE:

- Place all laminated parts on a clean and smooth surface such as a rug or carpet to avoid the parts from being scratched.
- Check to be sure that you have all parts and hardware.
- Remove all wrapping materials, including staples & packing straps before you start to assemble.
- Don't tighten all screws/bolts until all completely assembled.