


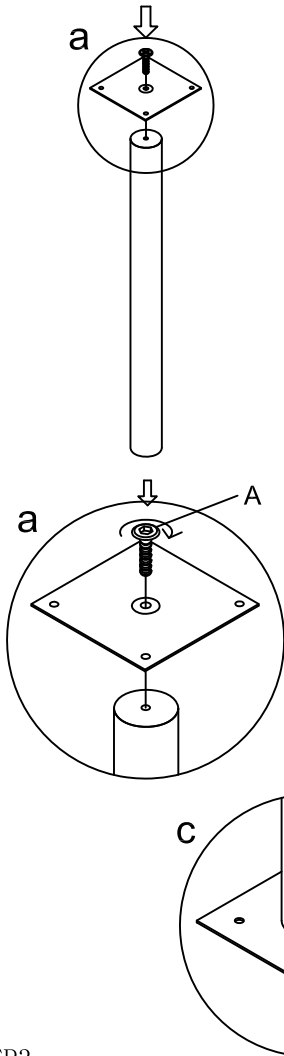


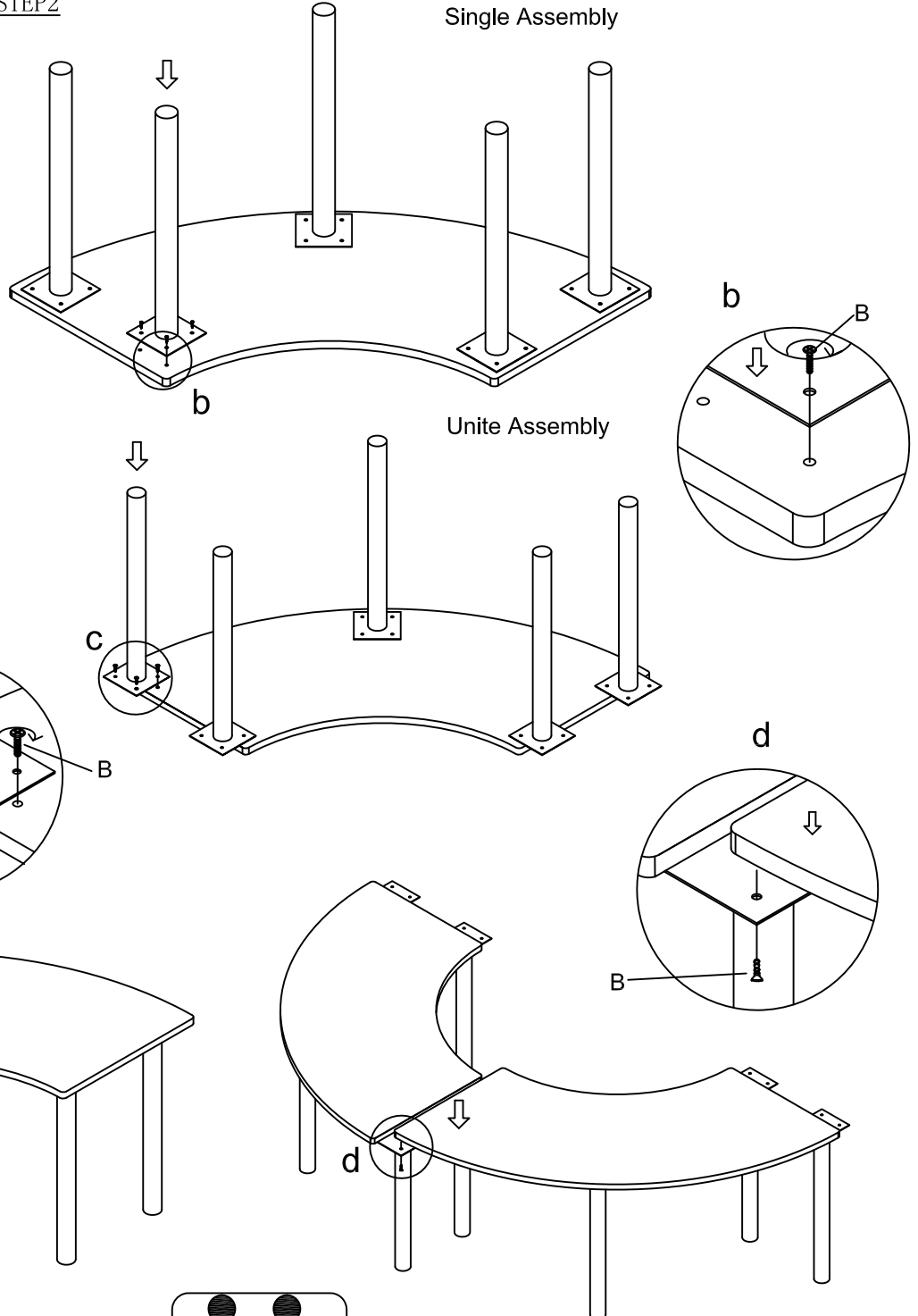
Assembly Instructions  
**MODEL NO.:NTT5924**  
 CRESCENT SHAPED

<p>A</p>  <p><math>\phi 8 \times 30</math> 5Pcs</p>	<p>B</p>  <p><math>\phi 6 \times 16</math> 20Pcs</p>	
--	---	---

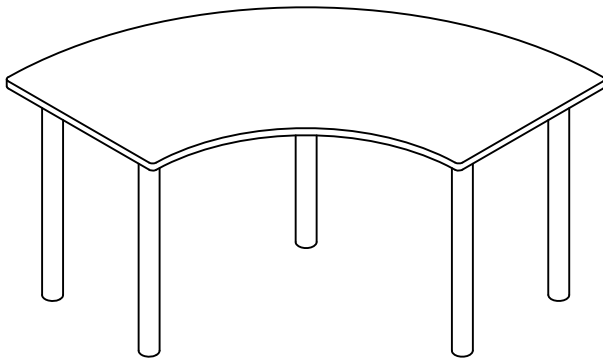
STEP1



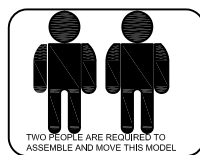
STEP2



STEP3



COMPLETED ASSEMBLY



**IMPORTANT NOTE**

- Place all wooden parts on clean and smooth surface such as a rug or carpet to avoid the parts from being scratched.
- Check to be sure that you have all parts and hardware.
- Remove all wrapping materials, including staples & packing straps before you start to assemble.
- Do not tighten all screws/bolts until all completely assembled.
- Keep all hardware parts out of reach of children.