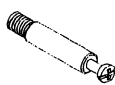



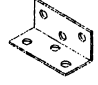
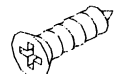
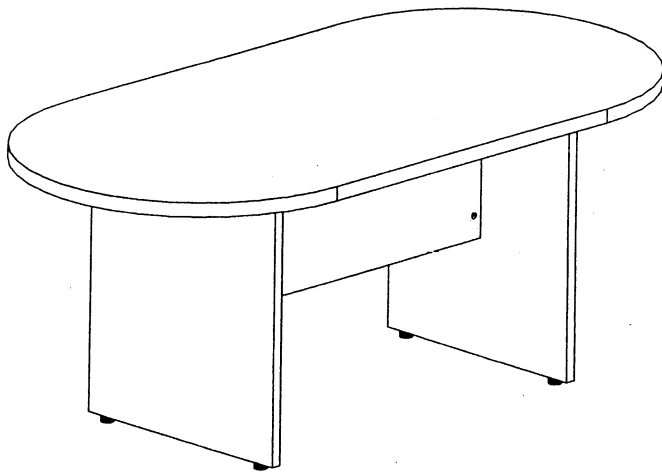
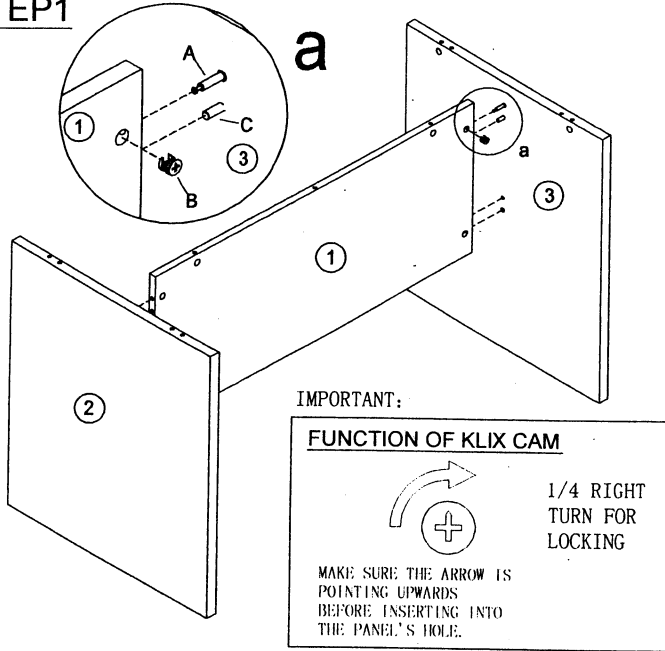


Assembly Instructions MODEL NO.:N135

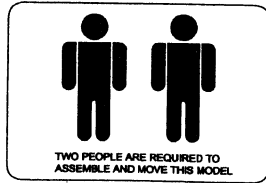
R/T CONFERENCE TABLE

TUN010CL	TUN011KC	TUN026	TUN021AG	TUN013LB	TUN014SC
A  Cam Lock 10Pcs+2Pcs(spare)	B  Klix Cam 10Pcs+2Pcs(spare)	C  Dowel 9Pcs+2Pcs(spare)	D  Adjustable Glide 4Pcs	E  6 Hole L-Bracket 5Pcs	F  Screw #4*5/8" 30Pcs+5Pcs(spare)

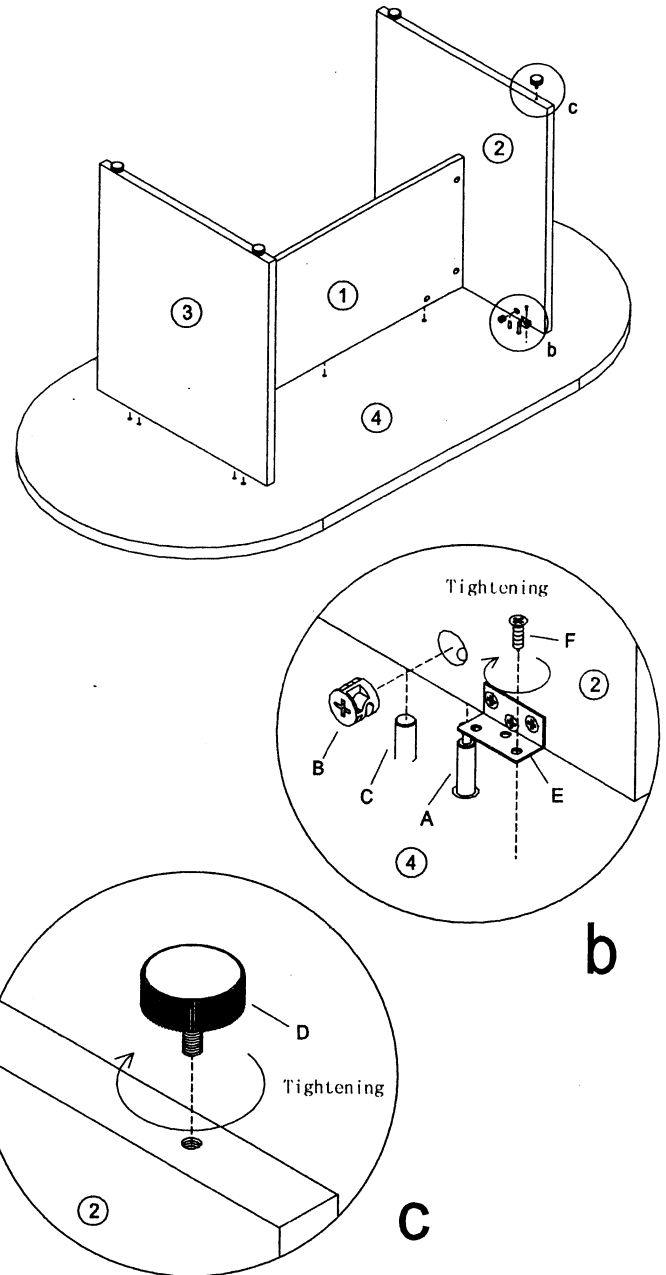
STEP1



COMPLETED ASSEMBLY



STEP2



IMPORTANT NOTE:

- Place all laminated parts on a clean and smooth surface such as a rug or carpet to avoid the parts from being scratched.
- Check to be sure that you have all parts and hardware.
- Remove all wrapping materials, including staples & packing straps before you start to assemble.
- Don't tighten all screws/bolts until all completely assembled.
- Keep all hardware parts out of reach of children.
- It is recommended to require 2 persons to complete the assembly.