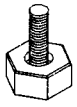

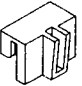




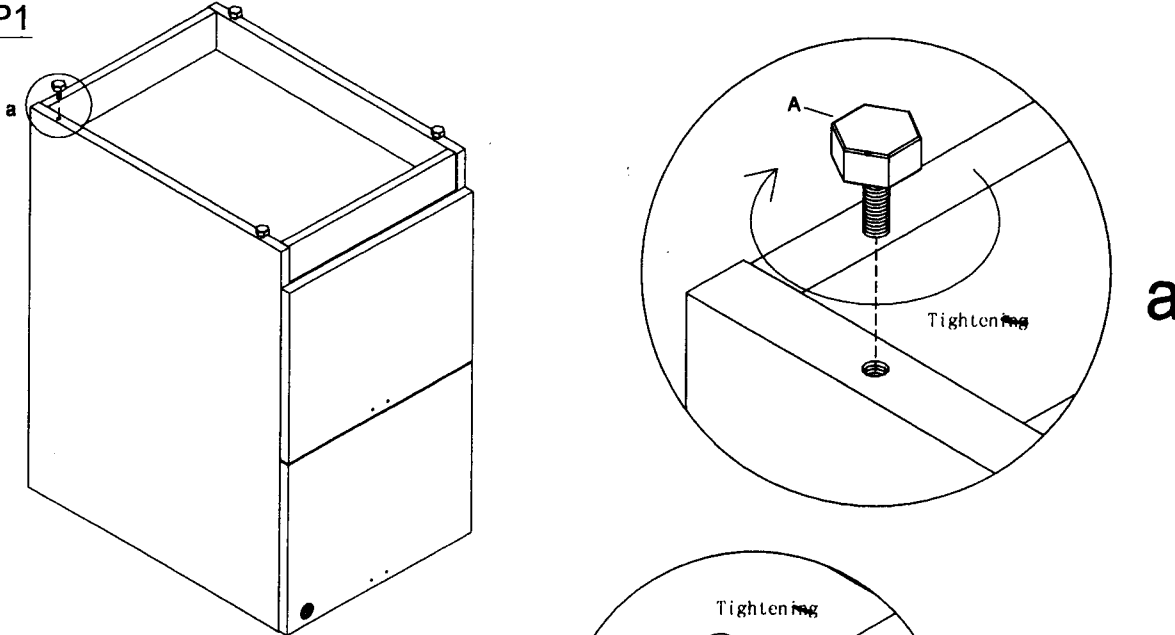
Assembly Instructions

MODEL NO.:N176

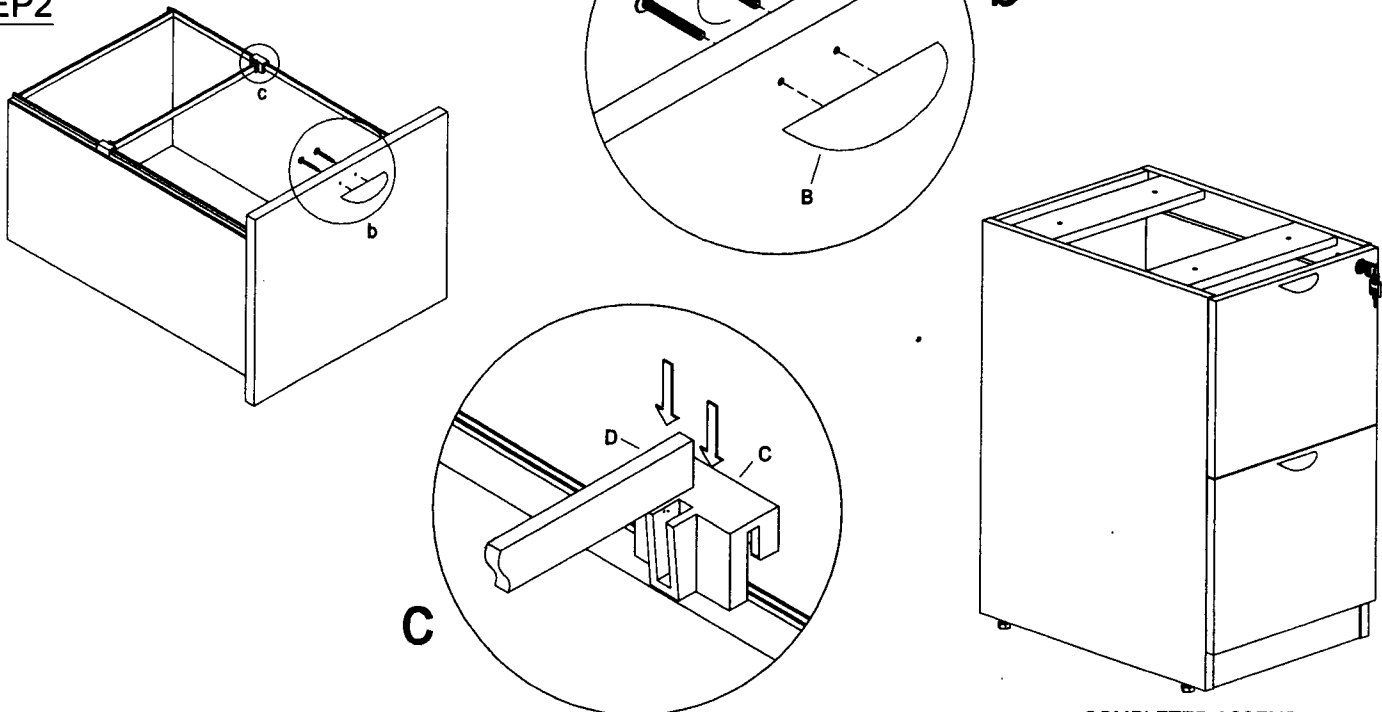
FILE/FILE PEDESTAL

TUN030AG	TUN005MH	TUN001FC	TUN002AB	
A 	B 	C 	D 	E 
Adjustable Glide 4 Pcs	32mm Metal Scallop Shape Handle 2 Sets	File Clip 4 Pcs	300*16*3mm Aluminum Bar 2 Pcs	Keys 1 Set

STEP1



STEP2



IMPORTANT NOTE:

- Place all laminated parts on a clean and smooth surface such as a rug or carpet to avoid the parts from being scratched.
- Check to be sure that you have all parts and hardware.
- Remove all wrapping materials, including staples & packing straps before you start to assemble.
- Don't tighten all screws/bolts until all completely assembled.