











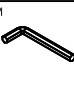



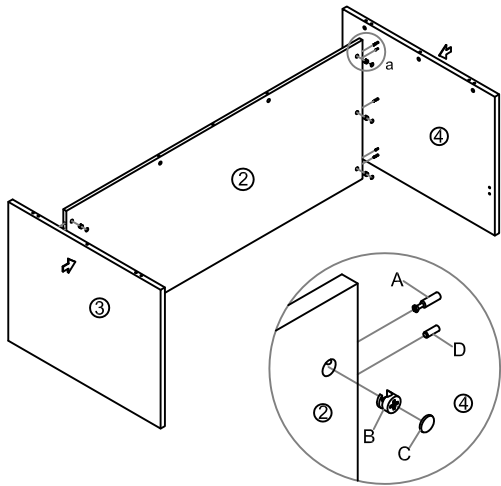
Assembly Instructions

MODEL NO.N269G


GLAZED RECEPTION DESK

TUN010CL	TUN011KC	C	TUN026	TUN021AG	TUN013LB	TUN018SC	TUN015BG	I	J	K	L	M	N
													
Cam lock 14Pcs+1Pcs(spare)	Klix Cam 14Pcs+1Pcs(spare)	Cam Cover 14Pcs+1Pcs(spare)	Dowel 9Pcs+1Pcs(spare)	Adjustable Glide 4Pcs	6Hole L-Bracket 5Pcs	Screw#4*5/8" 48Pcs+1Pcs(spare)	60mm Black Grommet 2Pcs	Cover 4Pcs+1Pcs(Spare)	Screw#10*40 4Pcs	2Set	2Set	1Pcs	2Set

STEP1

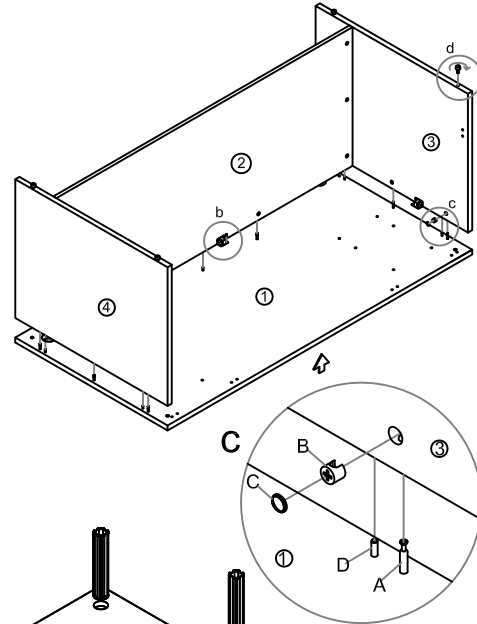


**IMPORTANT:
FUNCTION OF KLIX CAM**

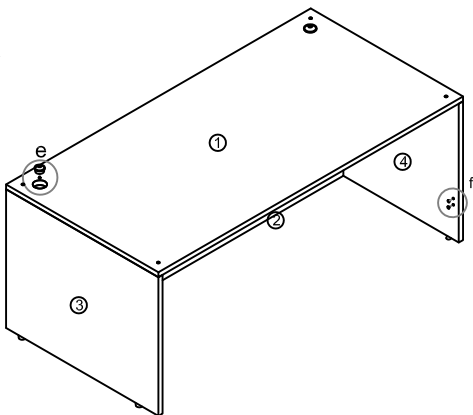


1/4 RIGHT
TURN FOR
LOCKING
Make Sure The Arrow Is
Pointing Upwards Before
Inserting Into The Panel's Hole

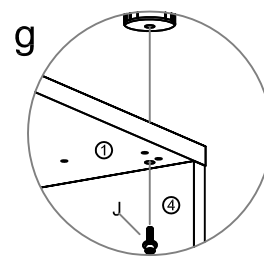
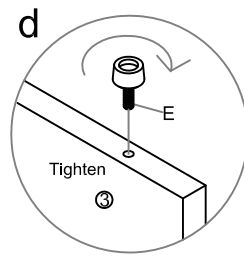
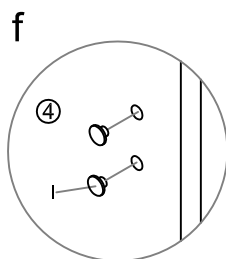
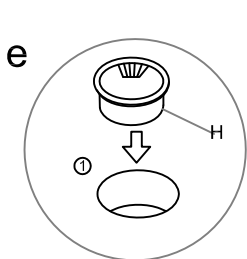
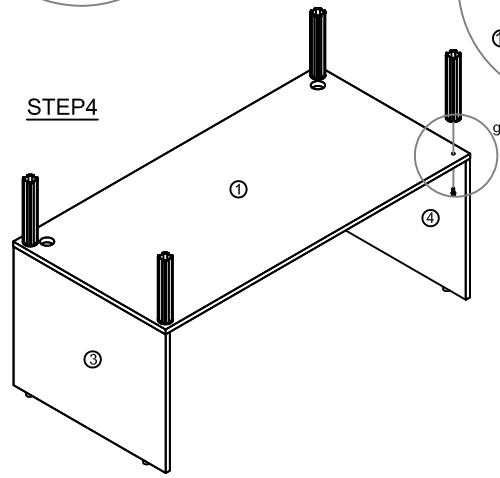
STEP2



STEP3



STEP4





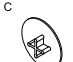
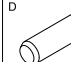
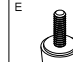
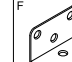
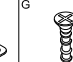
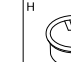
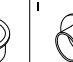
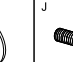

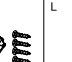

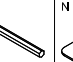
IMPORTANT NOTE:

- Place all laminated parts on a clean and smooth surface such as a rug or carpet to avoid the parts from being scratched.
- Check to be sure that you have all parts and hardware.
- Remove all wrapping materials, including staples & packing straps before you start to assemble.
- Don't tighten all screws/bolts until all completely assembled.
- Keep all hardware parts out of reach of children

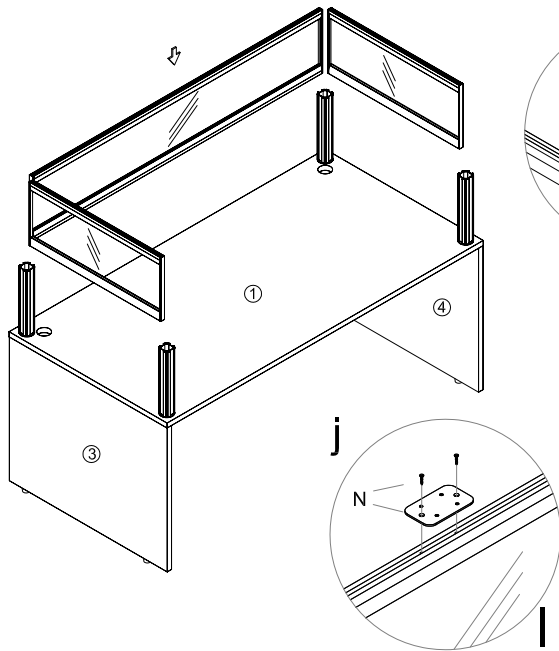
Assembly Instructions

MODEL NO.N269G

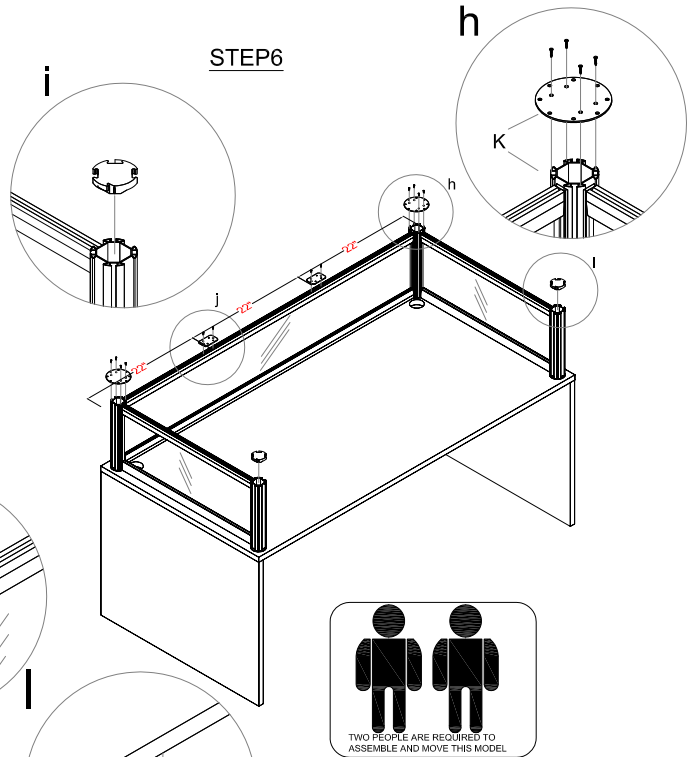
GLAZED RECEPTION DESK

TUN010CL	TUN011KC	C	TUN026	TUN021AG	TUN013LB	TUN018SC	TUN015BG	I	J	K	L	M	N
													
Cam lock 14Pcs+1Pc(spare)	Klik Cam 14Pcs+1Pc(spare)	Cam Cover 14Pcs+1Pc(spare)	Dowel 9Pcs+1Pc(spare)	Adjustable Glide 4Pcs	6Hole L-Bracket 5Pcs	Screw#4*5/8" 46Pcs+1Pc(spare)	60mm Black Grommet 2Pcs	Cover 4Pcs+1Pc(Spare)	Screw#10*40 4Pcs	2Set	2Set	1Pcs	2Set

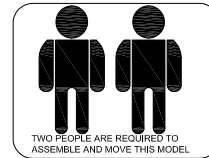
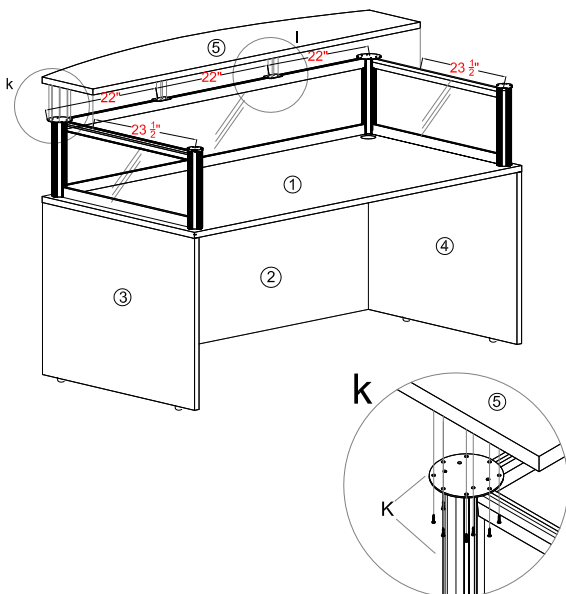
STEP5



STEP6



STEP7



COMPLETED ASSEMBLY

IMPORTANT NOTE:

- Place all laminated parts on a clean and smooth surface such as a rug or carpet to avoid the parts from being scratched.
- Check to be sure that you have all parts and hardware.
- Remove all wrapping materials, including staples & packing straps before you start to assemble.
- Don't tighten all screws/bolts until all completely assembled.
- Keep all hardware parts out of reach of children