





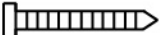
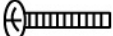

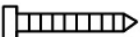




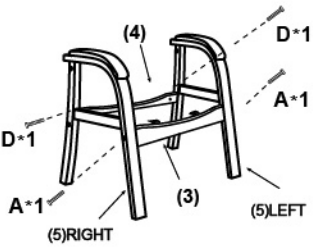
**IMPORTANT NOTICE:
HARDWARE PACKAGE IS ATTACHED
ON THE BOTTOM OF SEAT CUSHION.**

MODEL: AELD40 / B8999

(1)X1  Back	(2)X1  Seat	(3)X1  WF031-FB Front Bar
(4)X1  WF031-BB Back Bar	(5)X1 (L)  WF031-RF Wood Frame-Right	(5)X1 (R)  WF031-LF Wood Frame-Left

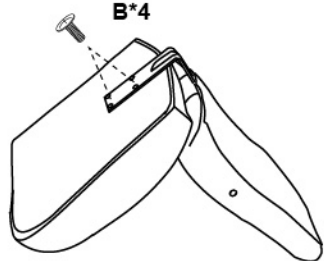
- (A)x2  **M6*65 Front Frame**
- (B)x4  **M6*25 L-bar**
- (C)x2  **M6*20 Front Bar**
- (D)x4  **M6*35 Back Frame**
- (E)x6  **Insert Caps**
- (F)x1  **Allen key**

1

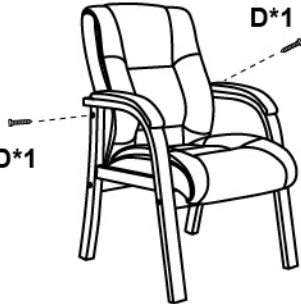


Note: Lightly tighten all screws.

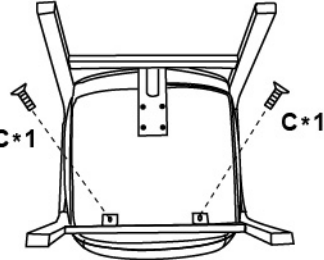
2



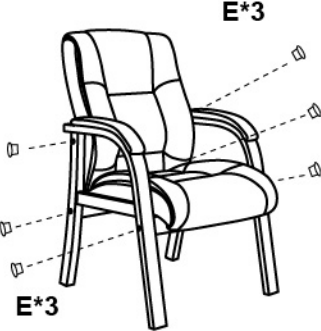
3



4



5



**NOTE: Before insert all 6 (E) wood caps to screw holes:
1. Tighten ALL 6 screws on step 4, then insert ALL 6 (D) wood caps to finish.**

Insert and loosely tighten all screws. When assembly is completed, fully tighten all screws before using. This chair is only intended for sitting. Any other use will void the warranty.

