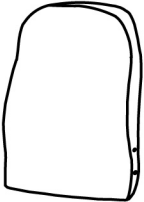


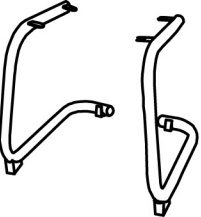



**Please unscrew all hardware from cushion before assembly.
Por favor de destornillar todos los tornillos del cojín antes de ensamblar la silla.**

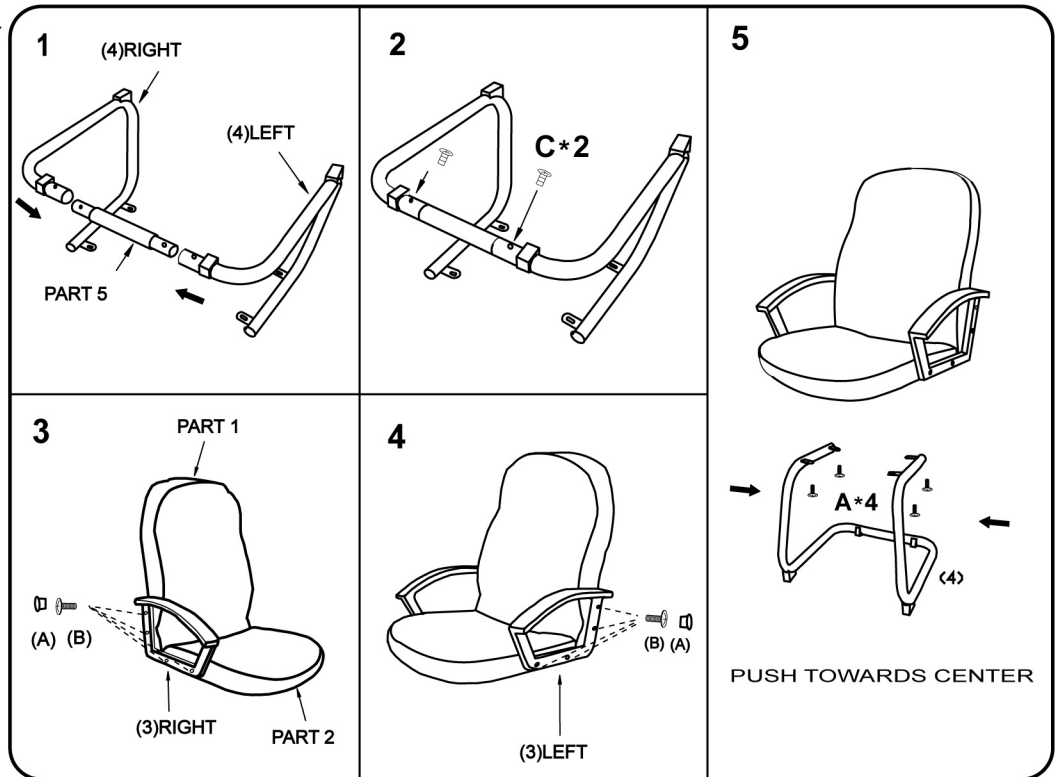
**MODEL: B8109 B8309 B8509 B7309
B7909 B7709 B7519 B7209 B7809**

(1)x1	(2)x1	(3)x1 (L)x1 (R)
 Back	 Seat	 Right & Left Arm
(4)x 1	(5)x1	
 Sled Base	 Connecting Bar	

(A)*12  M6*18 ARM SCREW

(B)*8  ARM CAP

(C)*2  M6*8 CONNECTING BAR SCREW



Insert and loosely tighten all screws. When assembly is completed, fully tighten all screws before using. This chair is only intended for sitting. Any other use will void the warranty.

Customer Service Hotline: 1-800-593-1888
For further assembly instructions,
please visit our website at www.bosschair.com

