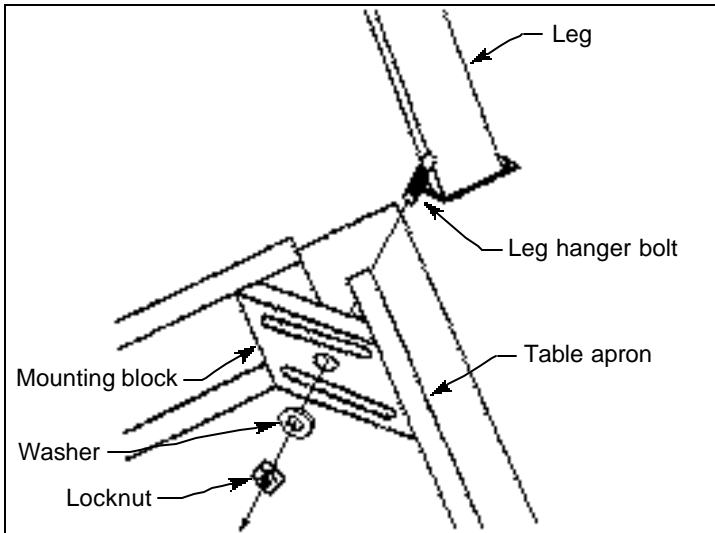


# UTILITY TABLE

# INSTALLATION INSTRUCTIONS

Illustration 1



Read all instructions and review illustrations before installing.

Tools required for assembly:  
Power screwdriver  
Safety glasses  
Rubber mallet

Phillips bit  
 $\frac{9}{16}$ " wrench

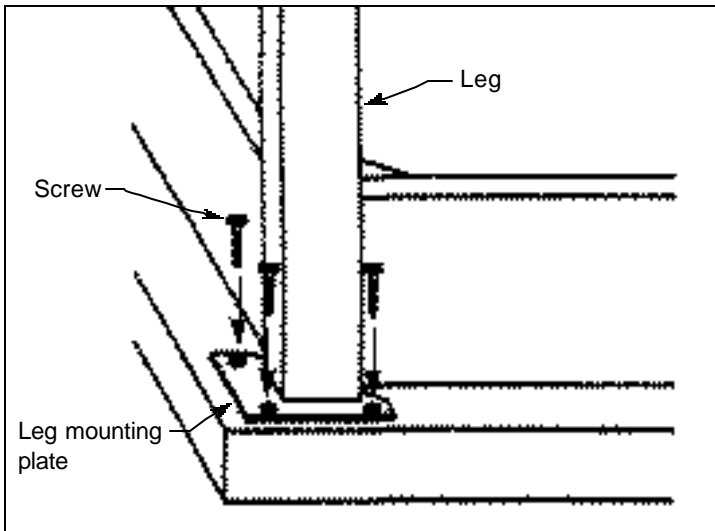
This assembly includes:  
(1) Table top  
(4) Table leg  
(4) Threaded insert  
(4) Washer  
(12) Screw  
(4) Glide  
(4) Locknut

## ⚠ WARNING

Sharp edges may cause injury. Take care when handling metal parts.

To prevent the possibility of serious eye injury, always wear eye protection when using power tools.

Illustration 2



### Installation:

1. Use two or more people to lay table, upside down, on cardboard or a carpeted surface.
2. Refer to Illustration 1. Locate mounting block attached to each corner of table top apron.
3. Refer to Illustration 1. Install a leg by inserting leg hanger bolt through hole in a mounting block.
4. Refer to Illustration 1. Install a washer and locknut (from hardware pack) onto leg hanger bolt and use the  $\frac{9}{16}$ " wrench to fully tighten locknut.
5. Refer to Illustration 2. Use the power screwdriver and Phillips bit to install three screws (from hardware pack) through holes in leg mounting plate and into table top. Fully tighten screws.
6. Refer to Illustration 3. Use the rubber mallet to install threaded insert (from hardware pack) into end of leg.
7. Refer to Illustration 3. Thread a glide (from hardware pack) into the threaded insert. Turn glide clockwise until glide is flat against threaded insert.
8. Repeat Steps 3 through 7 for remaining legs.
9. Use two or more people to set table upright and to position table.
10. Adjust glides to level table.

Illustration 3

