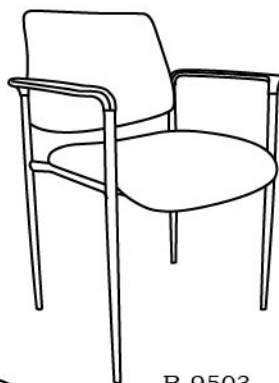


Assembly Instruction

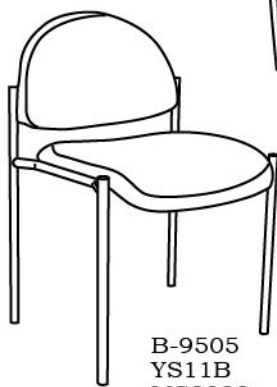
Insert and loosely tighten all screws. Failure to do this will cause holes not to line up properly. When assembly is completed, fully tighten all screws before using. This chair is only intended for sitting. Any other use will void the warranty.



B-9501
YS11A
MS3010
EQ1059



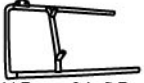





B-9503
EQ1022



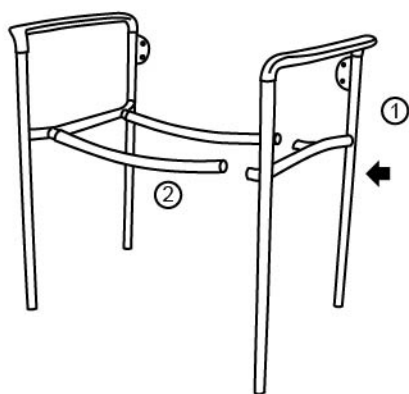
B-9505
YS11B
MS3020

1

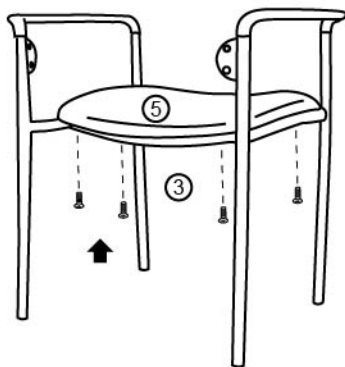
CAUTION: Edges of some parts may be sharp. Please handle unassembled parts carefully.

Parts List		Q'ty
①	 Right Frame & Left Frame	2
②	 Connecting bar	2
③	 M6x36	4
④	 M6x22	4
⑤	 Seat	1
⑥	 Back	1

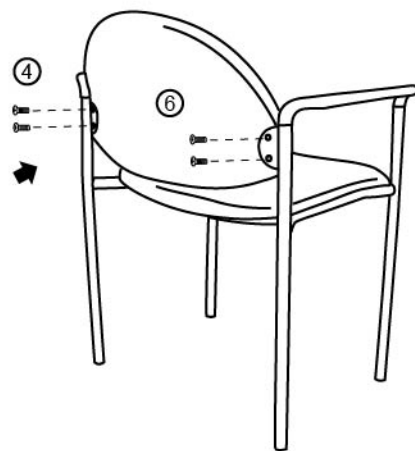
Frame & Tube



2 Seat & Frame



3 Back Joint



IMPORTANT NOTICE:
HARDWARE PACKAGE IS ATTACHED ON THE BOTTOM OF SEAT CUSHION.

Customer Service Hotline: 1-800-593-1888

For further assembly instructions, please visit our website at www.bosschair.com