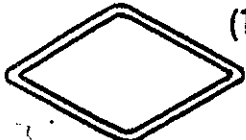


# CONTENTS OF ONE STOR/DRAWER® UNIT

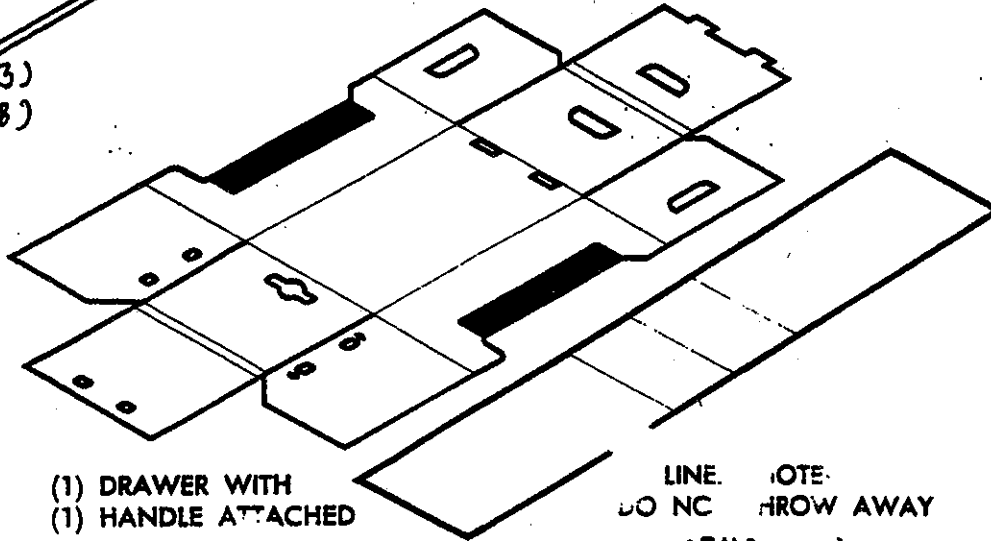
\*0031  
\*00312



(1) WIRE FRAME

(1) Drawer 311 { 03014 }  
312 { 03021 }

311 { 03043 }  
312 { 00058 }

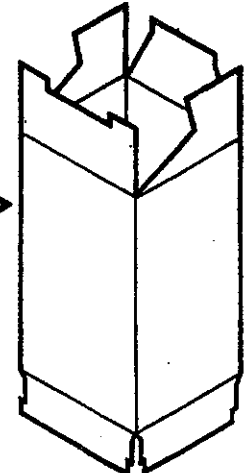


(1) DRAWER WITH  
(1) HANDLE ATTACHED

Handle (00039)

LINE NOTE  
DO NOT THROW AWAY

311 { 07110 }  
312 { 03022 }



(1) SHELL

311 { 03044 }  
312 { 03049 }

## ASSEMBLY INSTRUCTIONS FOR STOR/DRAWER® SHELLS

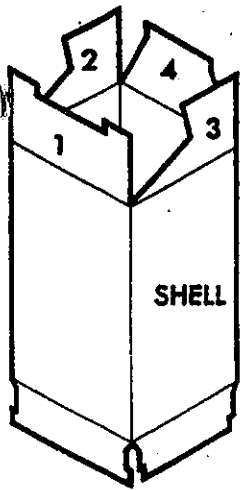
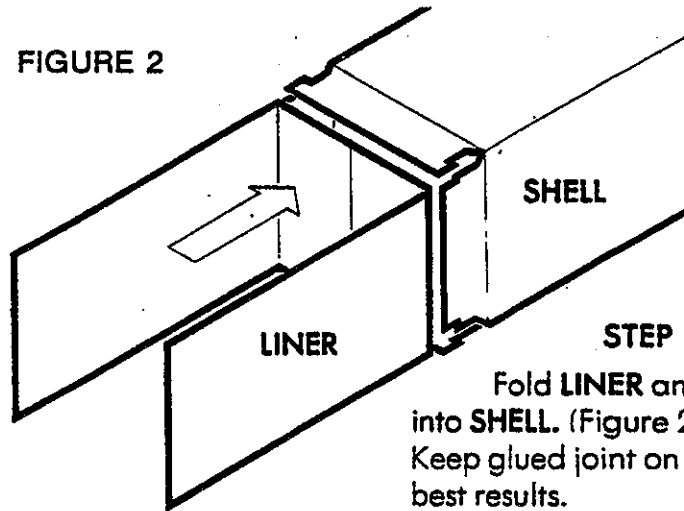


FIGURE 1

### STEP NO. 1

Square up SHELL and place on floor. Fold BACK FLAPS in numerical sequence.

FIGURE 2



### STEP NO. 2

Fold LINER and insert into SHELL. (Figure 2) NOTE: Keep glued joint on bottom for best results.



Corporate Offices and Midwestern Plant  
1789 Norwood Avenue, Itasca, Illinois 60143-1095  
(708) 893-1600

International Locations  
Markham, Ontario, Canada  
Doncaster, South Yorkshire, England  
Tullamarine, Victoria, Australia

Printed in USA

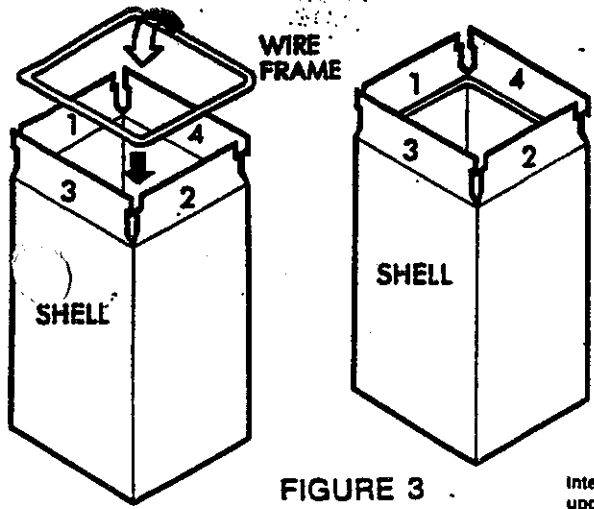
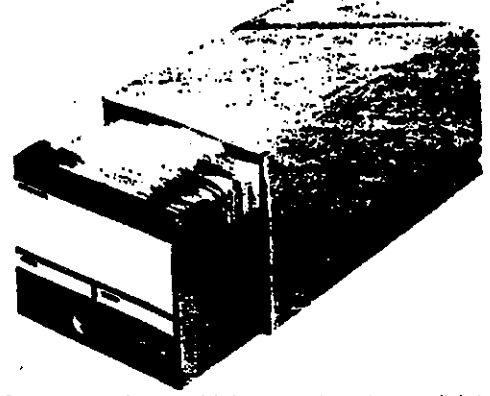


FIGURE 3

**STEP NO. 3**  
 Position **WIRE FRAME** on top of liner as shown in Figure 3. Fold **FRONT FLAPS** in numerical sequence into **SHELL** and lock (Figure 3).

Interlocking wire clips provided upon request at no charge. 10027

Finished Product Looks Like This:



Note: Some users prefer a new label when reusing a drawer unit. Labels are available from the factory, at no charge, for this purpose. Order label 3035 for 311 & 312 only.

03036

## ASSEMBLY INSTRUCTIONS FOR STOR/DRAWER® DRAWERS

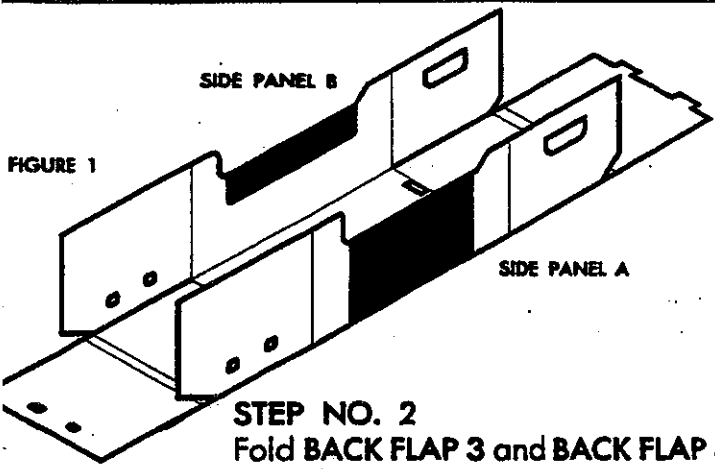


FIGURE 1

**STEP NO. 1**  
 Lay **DRAWER** flat with printed side down. Remove **HANDLE** from **DRAWER**. Fold **SIDE PANEL A** and **SIDE PANEL B** upright. (Figure 1)

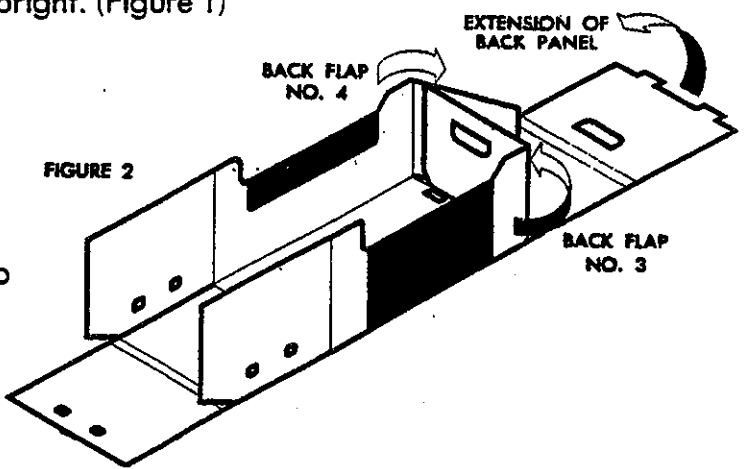


FIGURE 2

**STEP NO. 2**  
 Fold **BACK FLAP 3** and **BACK FLAP 4** to overlap and form **DRAWER BACK**. (Figure 2) Fold **EXTENSION OF BACK PANEL** over **FLAPS 3** and **4**. (Figure 2)

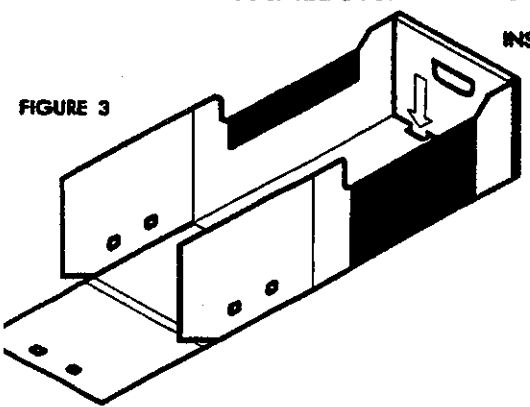


FIGURE 3

**STEP NO. 3**  
 Lock back of **DRAWER** by inserting **TABS** into **SLOTS** in bottom of **DRAWER**. (Figure 3)

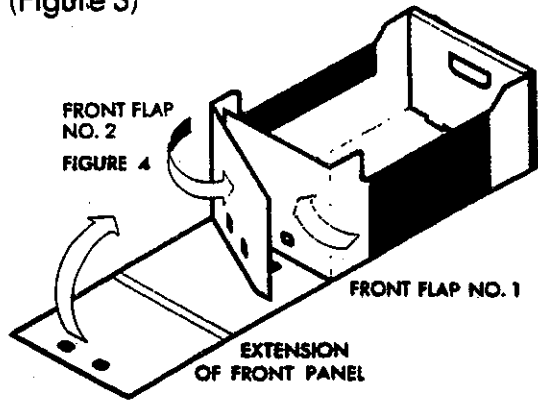
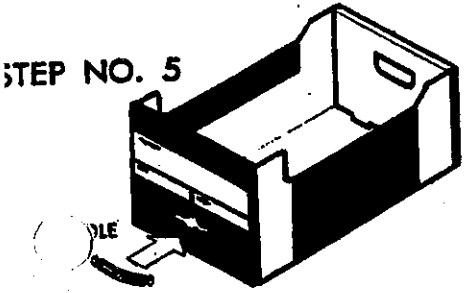


FIGURE 4

**STEP NO. 4**  
 Fold **FRONT FLAPS 1** and **2** to overlap and form **DRAWER FRONT**. Fold **EXTENSION OF FRONT PANEL** over **FRONT FLAPS 1** and **2** (Figure 4)



STEP NO. 5

Lock front of **DRAWER** by re-inserting **HANDLE** through **ALL FOUR DRAWER FRONT PANELS**