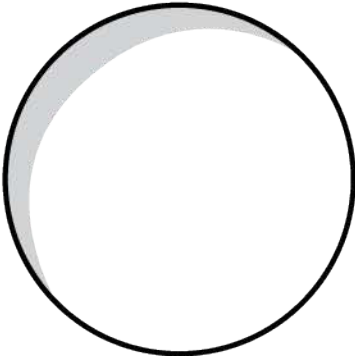
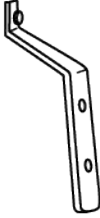
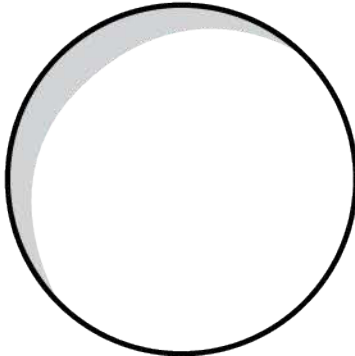
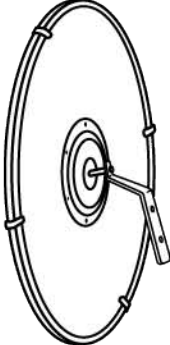
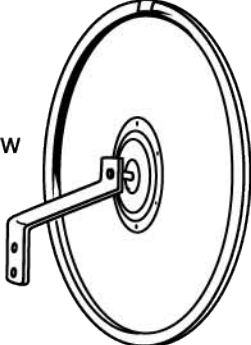
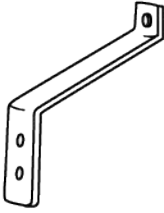


SMALL SAFETY MIRROR

| INDOOR | PARTS INCLUDED | OUTDOOR |
|---|---|---|
|  Mirror |  Offset Bracket |  Mirror |
|  BACK VIEW | |  BACK VIEW |
| | |  Large Offset Bracket |

ASSEMBLY INSTRUCTIONS

INSTALLING MIRROR ON WALL (CLOSE TO WALL)

1. Attach offset bracket to wall or post.
2. Attach mirror to offset bracket and adjust angle.
3. Tighten screws on ball bracket to fix mirror in desired position.

