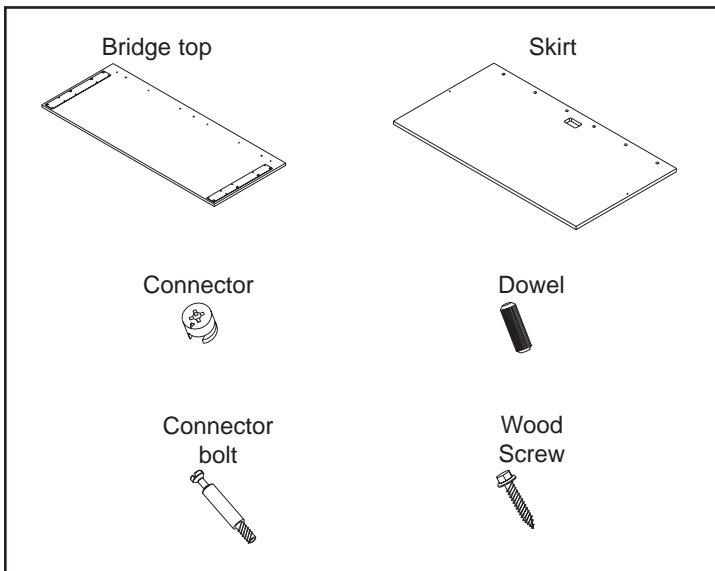


BRIDGE ASSEMBLY

INSTALLATION INSTRUCTIONS

Illustration 1



Read all instructions and review illustrations before installing.

Tools required for assembly:
 Phillips screwdriver
 1/4" hex head screwdriver
 Level

This assembly includes:
 (1) Bridge top (1) Skirt
 (3) Wood dowel (2) 1 1/2" long wood screw
 (4 or 6) Connector (8) 7/8" long wood screw
 (4 or 6) Connector bolt

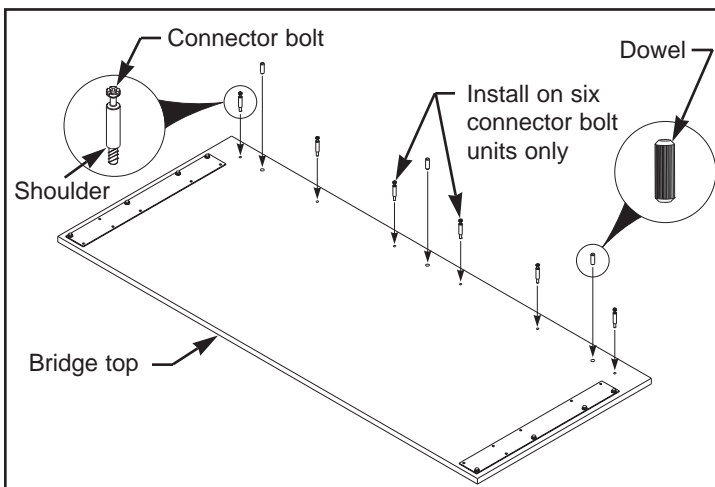
! WARNING

If used alone, or improperly installed, this bridge can tip and fall resulting in severe personal injury or property damage. Do not use bridge alone. Use bridge with a single pedestal desk, credenza, and/or peninsula to form a "U" shaped arrangement.

Wood products are heavier than they appear and may be hard to control when moving. Use two or more people when moving wood products or severe personal injury may result.

Heavy panels can pinch or crush fingers. Do not place fingers between or under panels during assembly.

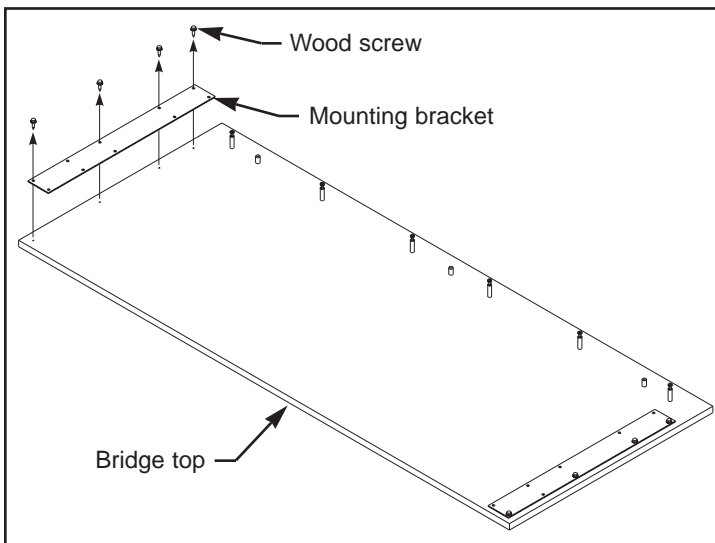
Illustration 2



Installation:

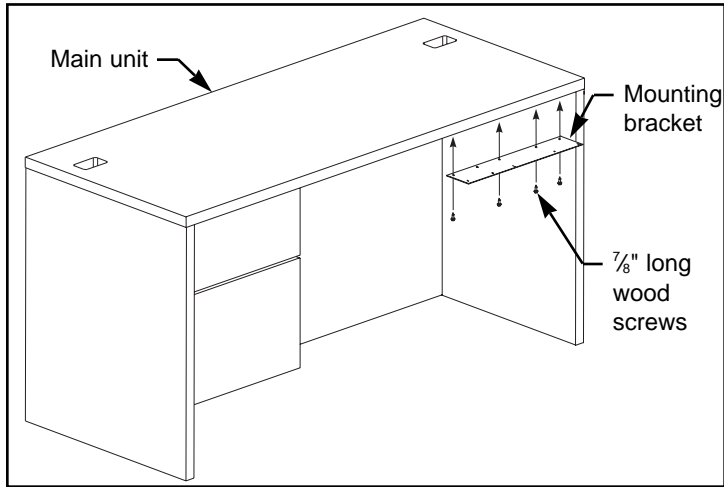
1. Refer to Illustration 2. Use two or more people to lay bridge top upside down on cardboard or a carpeted surface. Install three wood dowels (from hardware pack) into the locations shown.
2. Refer to Illustration 2. Use the Phillips screwdriver to install (4 or 6) connector bolts (from hardware pack) into the locations shown. Tighten connector bolts until connector bolt shoulder is flush against surface of bridge top.
3. Refer to Illustration 3. Use the 1/4" hex head screwdriver to remove four wood screws securing each of the mounting brackets attached to bottom of bridge top. Save wood screws for later use.
4. Use two or more people to position main unit where it will be used. Ensure main unit is level side-to-side and front-to-back.

Illustration 3



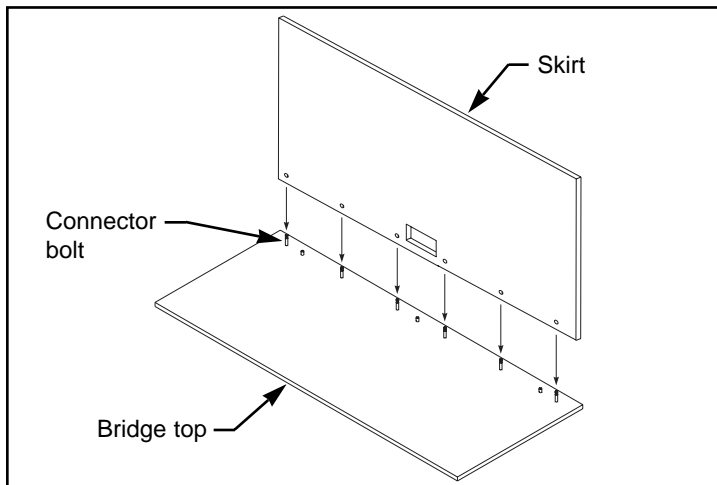
BRIDGE ASSEMBLY

Illustration 4



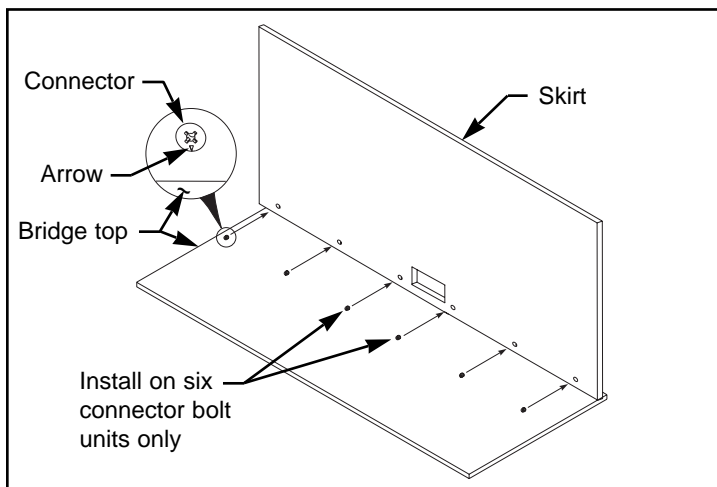
5. Refer to Illustration 4. Install a mounting bracket, removed from return unit in Step 3, onto a main unit as shown (note hole pattern). Use the $\frac{1}{4}$ " hex head screwdriver to install four $\frac{7}{8}$ " long wood screws (from bridge hardware pack) through holes in mounting bracket and into pre-punched holes along front edge of main unit top. Do not fully tighten screws. Repeat this procedure for the second main unit.

Illustration 5



6. Refer to Illustration 5. Use two or more people to place bridge skirt onto bridge top as shown. Insert connector bolts, attached to bridge top, into holes drilled into top edge of bridge skirt.

Illustration 6



7. Refer to Illustration 6. With arrows facing bridge top, install (4 or 6) connectors into holes along top edge of bridge skirt. Use the Phillips screwdriver to tighten connectors. Turn connectors clockwise to tighten.

BRIDGE ASSEMBLY

Illustration 7

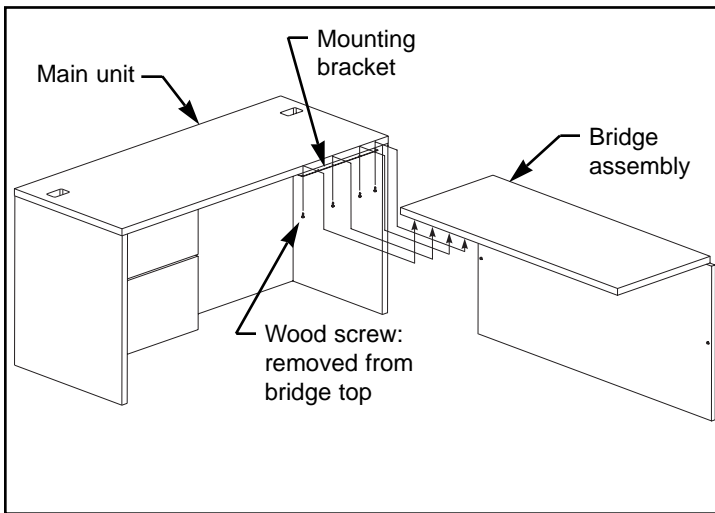
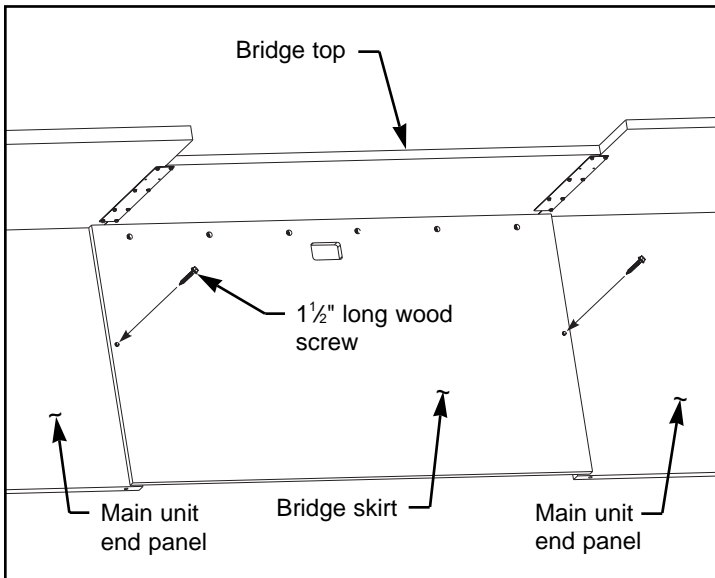


Illustration 8



8. Refer to Illustration 7. Use two or more people to position bridge assembly onto mounting bracket attached to main unit. Carefully slide bridge skirt under main unit top.
9. Refer to Illustration 7. Use the $\frac{1}{4}$ " hex head screwdriver to reinstall wood screws, removed in Step 3, through holes in mounting bracket and into holes in the bottom of the bridge top. Do not fully tighten wood screws.
10. Ensure second main unit is level side-to-side and front-to-back. Use two or more people to position second main unit against bridge assembly. Set Bridge assembly onto mounting bracket attached to second main unit and slide bridge skirt under main unit top.
11. Refer to Illustration 7. Use the $\frac{1}{4}$ " hex head screwdriver to reinstall wood screws, removed in Step 3, through holes in mounting bracket and into holes in the bottom of the bridge top. Do not fully tighten wood screws.
12. Adjust alignment of main units and bridge assembly until seams between units are straight and flush.
13. Fully tighten all mounting bracket screws.
14. Refer to Illustration 8. Use the $\frac{1}{4}$ " hex head screwdriver to install a $1\frac{1}{2}$ " long wood screw (from hardware pack) into a pre-drilled hole along each side of bridge skirt and into main unit end panels. Fully tighten screws.