

MODULAR DESK

INSTALLATION INSTRUCTIONS

Illustration 1

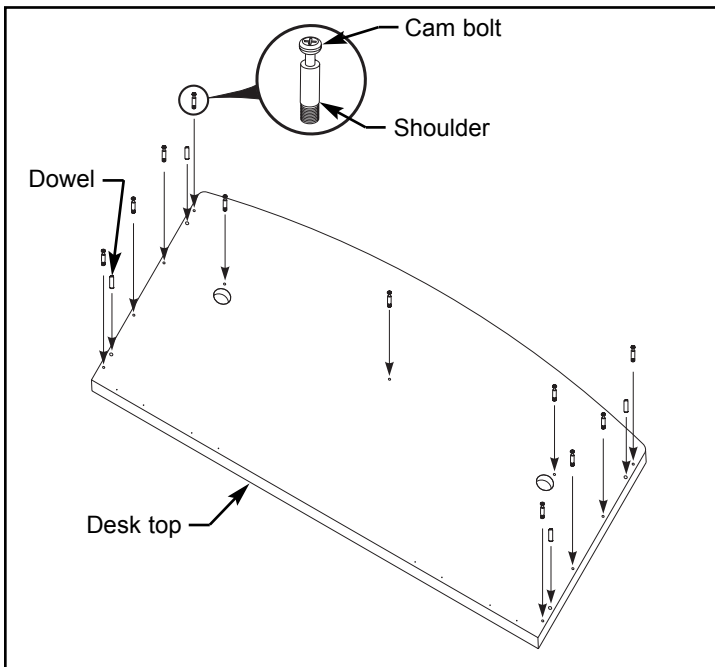


Illustration 2

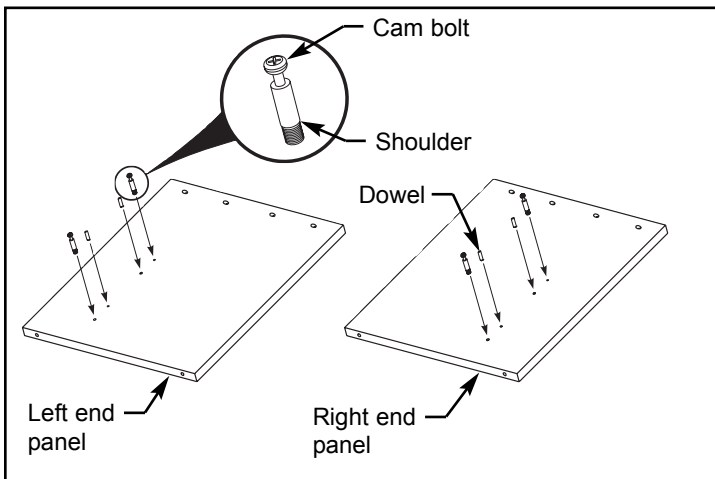
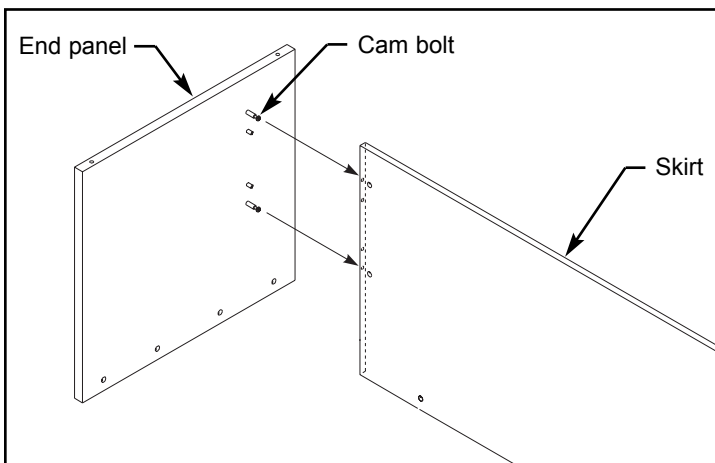


Illustration 3



Read all instructions and review illustrations before installing.

Tools required for assembly:	
Phillips screwdriver	Rubber mallet
Safety glasses	Level

This assembly includes:	
(1) Desk top	(1) Right end panel
(1) Skirt	(1) Left end panel
(15) Cam bolt	(15) Cam connector
(4) Glide	(8) Dowel
(2) Grommet	

⚠ WARNING

Wood products are heavier than they appear and may be hard to control when moving. Use two or more people when moving wood products or severe personal injury may result. Heavy panels can pinch or crush fingers. Do not place fingers between or under panels during assembly.

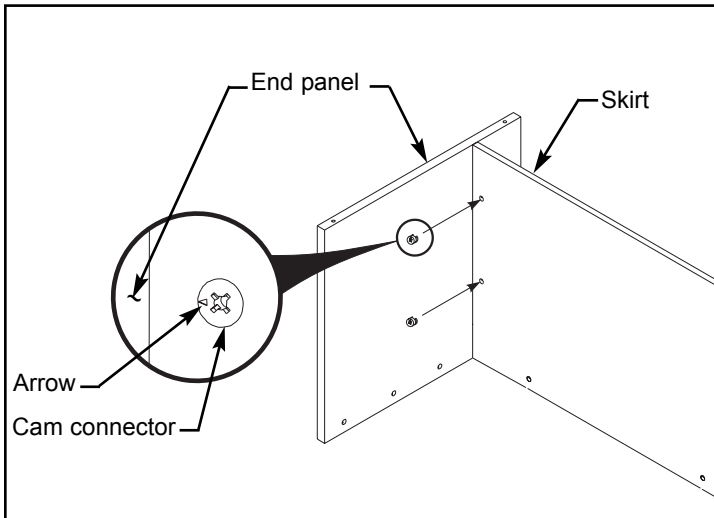
To prevent the possibility of serious eye injury, always wear eye protection when using power tools.

Installation:

1. Refer to Illustration 1. Lay desk top upside down on cardboard or a carpeted surface.
2. Use the rubber mallet to install four dowels (from hardware pack) into desk top as shown.
3. Use the Phillips screwdriver to install eleven cam bolts (from hardware pack) into desk top. Tighten cam bolts until cam bolt shoulder is flush against brass insert.
4. Refer to Illustration 2. Lay end panels, with holes up, on cardboard or a carpeted surface.
5. Use the rubber mallet to install two dowels (from hardware pack) into each end panel as shown.
6. Use the Phillips screwdriver to install two cam bolts (from hardware pack) into each end panel. Tighten cam bolts until cam bolt shoulder is flush against brass insert.
7. Refer to Illustration 3. Install end panel by inserting ends of cam bolts, attached to end panel, into holes drilled into side of skirt. Insert cam bolts as far as possible.

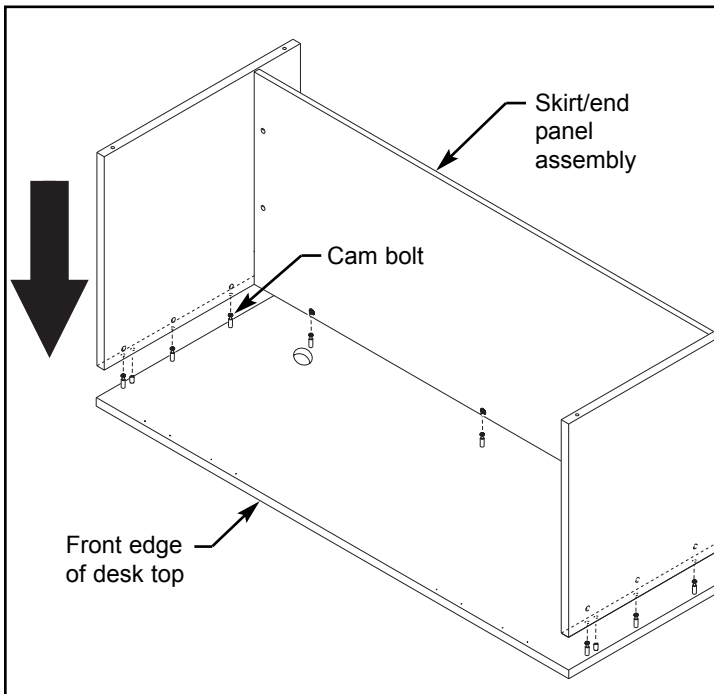
MODULAR DESK

Illustration 4



8. Refer to Illustration 4. With the arrows facing end panel, install a cam connector (from hardware pack) into two holes along side of skirt. Use the Phillips screwdriver to tighten cam connectors. Turn cam connectors clockwise to tighten ($1/4$ to $1/2$ turn).
9. Repeat steps 7 and 8 for remaining end panel.

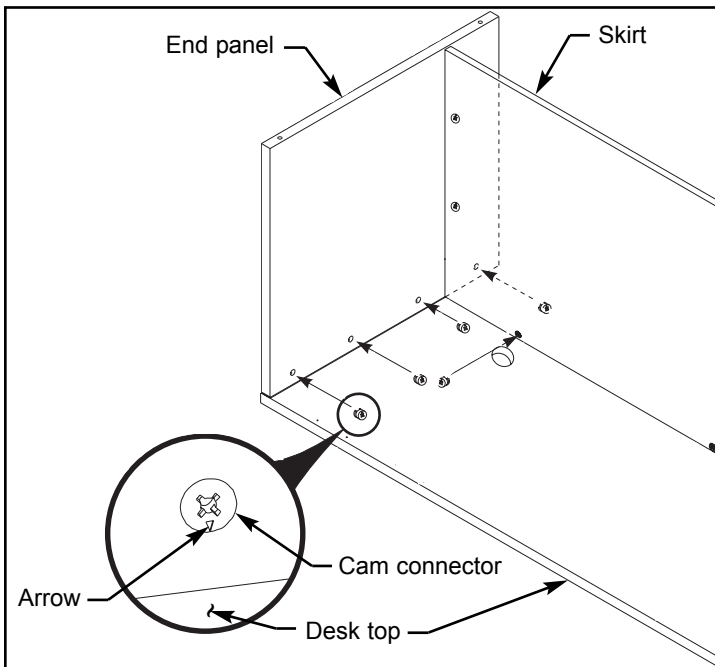
Illustration 5



10. Refer to Illustration 5. Using at least two people, lift skirt/end panel assembly and position over cam bolts installed into desk top. Lower assembly, inserting cam bolts into the drilled holes on top of skirt/end panel assembly.

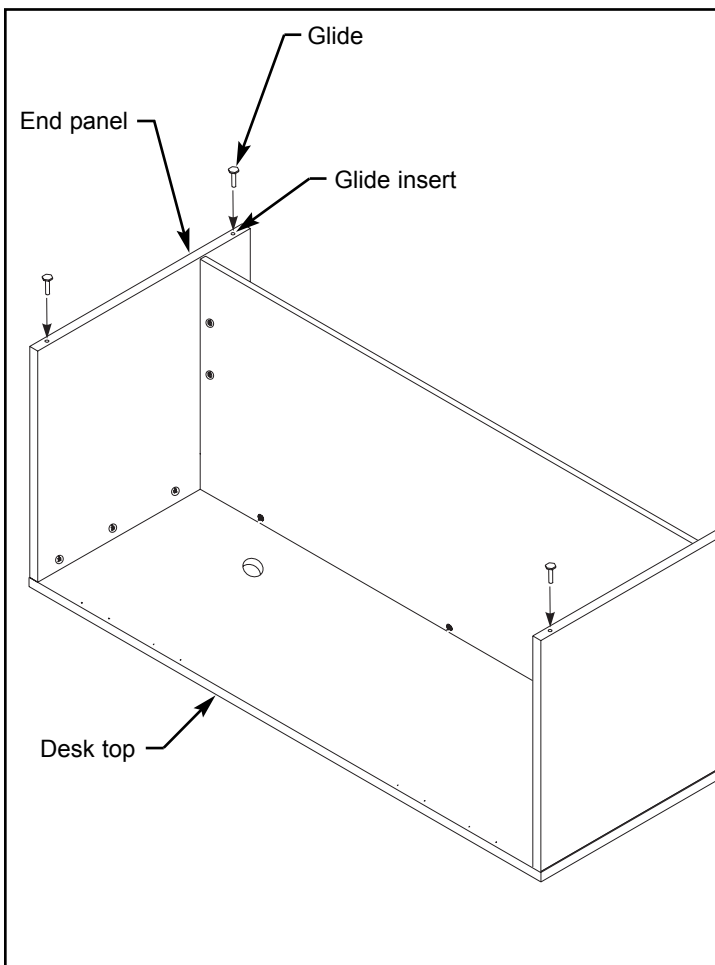
MODULAR DESK

Illustration 6



11. Refer to Illustration 6. With the arrows facing the desk top, install eleven cam connectors (from hardware pack) into holes along top edge of each end panel and skirt. Use the Phillips screwdriver to tighten cam connectors. Turn cam connectors clockwise to tighten ($\frac{1}{4}$ to $\frac{1}{2}$ turn).

Illustration 7



12. Refer to Illustration 7. Thread a glide (from hardware pack) into each glide insert by turning glide clockwise until glide is flat against end panel.
13. After glides are fully installed, use two or more people to set desk upright and to position desk where it will be used.
14. Adjust glides to level desk side-to-side and front-to-rear.