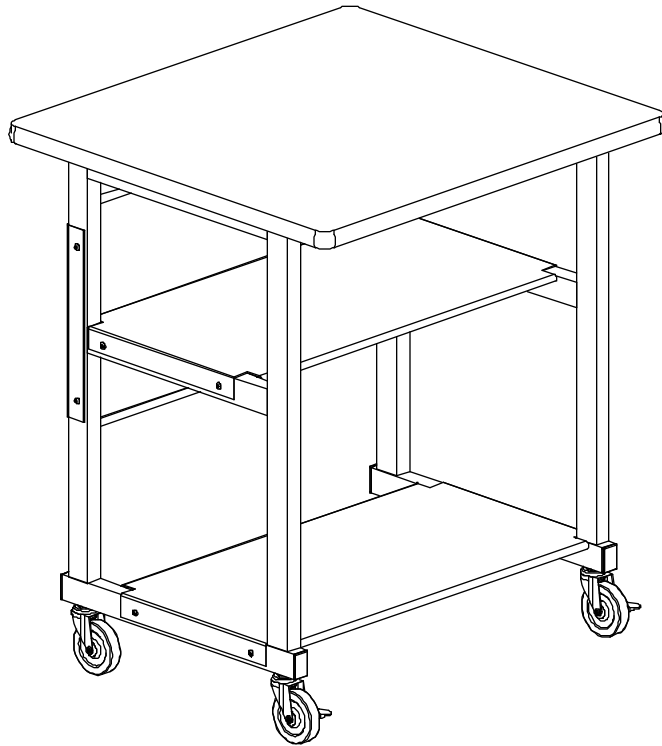


# **BALT**<sup>®</sup>

## LB-PR Heavy Duty-Multi-Use Utility Stand



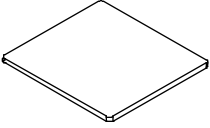
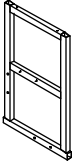
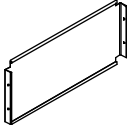
# **Assembly Instructions**



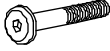
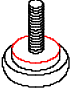
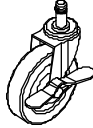


See back for important information, including our  
*Toll-Free Customer Service Telephone Number*

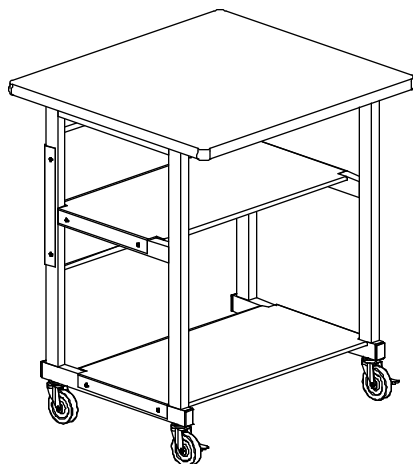
# LB-PR

# Utility Stand

## Assembly Instructions

Part	Drawing	Description	Qty
P-1		Top Platform	1 EA
P-2		Leg Assembly	2 EA
P-3		Stability Panel	3 EA

Hardware List			
A		Short Screw	12 EA
B		Interior Threaded Post	12 EA
C		Long Screw	4 EA
D		Leveling Glides	4 EA
E		3" Locking Caster	2 EA
F		3" Non-Locking Caster	2 EA
G		Allen Wrench	1 EA



*We recommend that you assemble this unit on a table.*

Do not use unless all screws are tight. At least every six months, check all screws to be sure they are tight. If parts are missing, broken, damaged, or worn, stop use of the product until repairs are made by your dealer using factory authorized parts.

**Should you require assistance during assembly, please call our Customer Service Department Monday - Friday 8 a.m. - 5 p.m. Central Standard Time**

**Toll-Free Customer Service  
1-800-749-2258**

# LB-PR Assembly Diagram



1. Separate and identify parts and hardware.
2. Place the Top Panel (P-1) with the insert nuts facing up. Attach 2 Leg Assemblies (P-2) to the Top Panel (P-1) using 4 Long Screws (C) as shown in illustration #1. Finger tighten only. Attach 1 Stability Panel (P-3) to the 2 Leg Assemblies (P-2) using 4 Short Screws (A) and 4 Interior Threaded Posts (B) as shown in illustration #1.
3. Attach 2 Locking Casters (E) and 2 Non-Locking Casters (F), (or 4 Leveling Glides D) to 2 Leg Assemblies (P-2) as shown in Illustration #1.
4. Attach 2 Stability Panels (P-3) to 2 Leg Assemblies (P-2) using 8 Short Screws (A) and 8 Interior Threaded Posts (B) as shown in illustration #2.

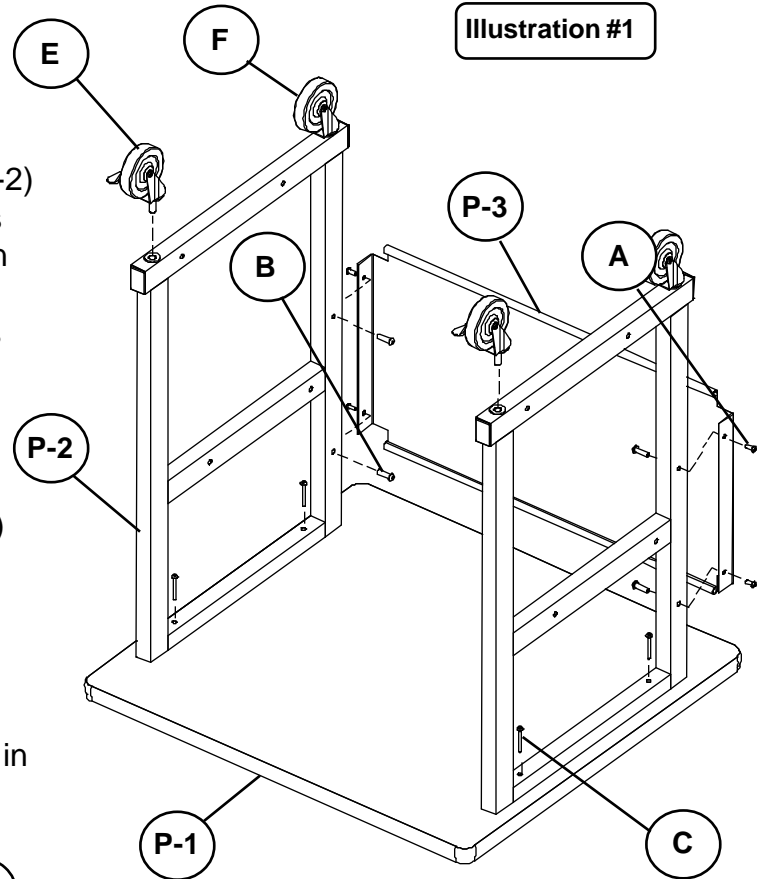


Illustration #1

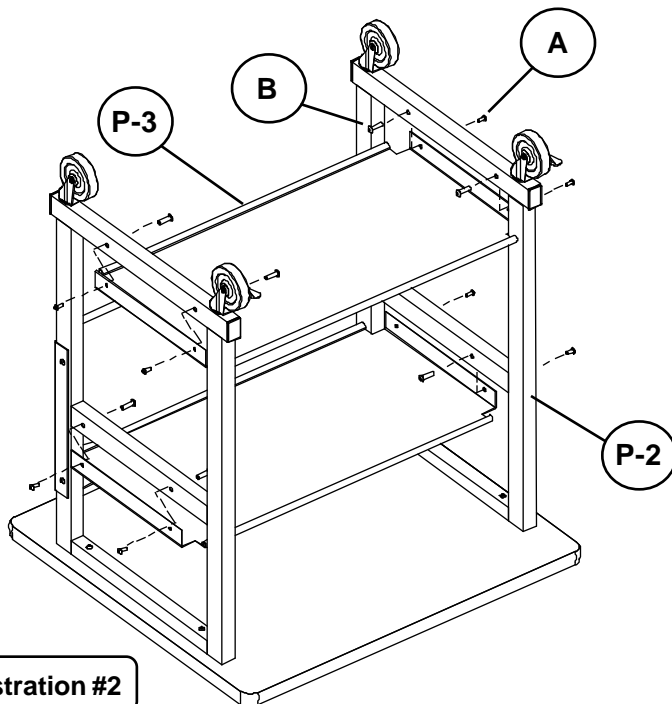


Illustration #2

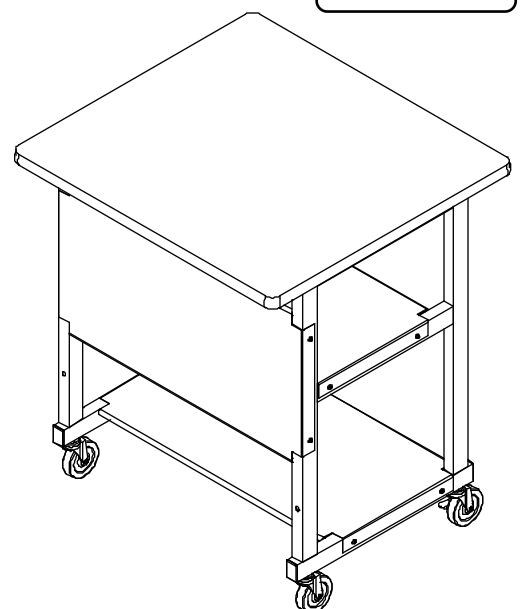


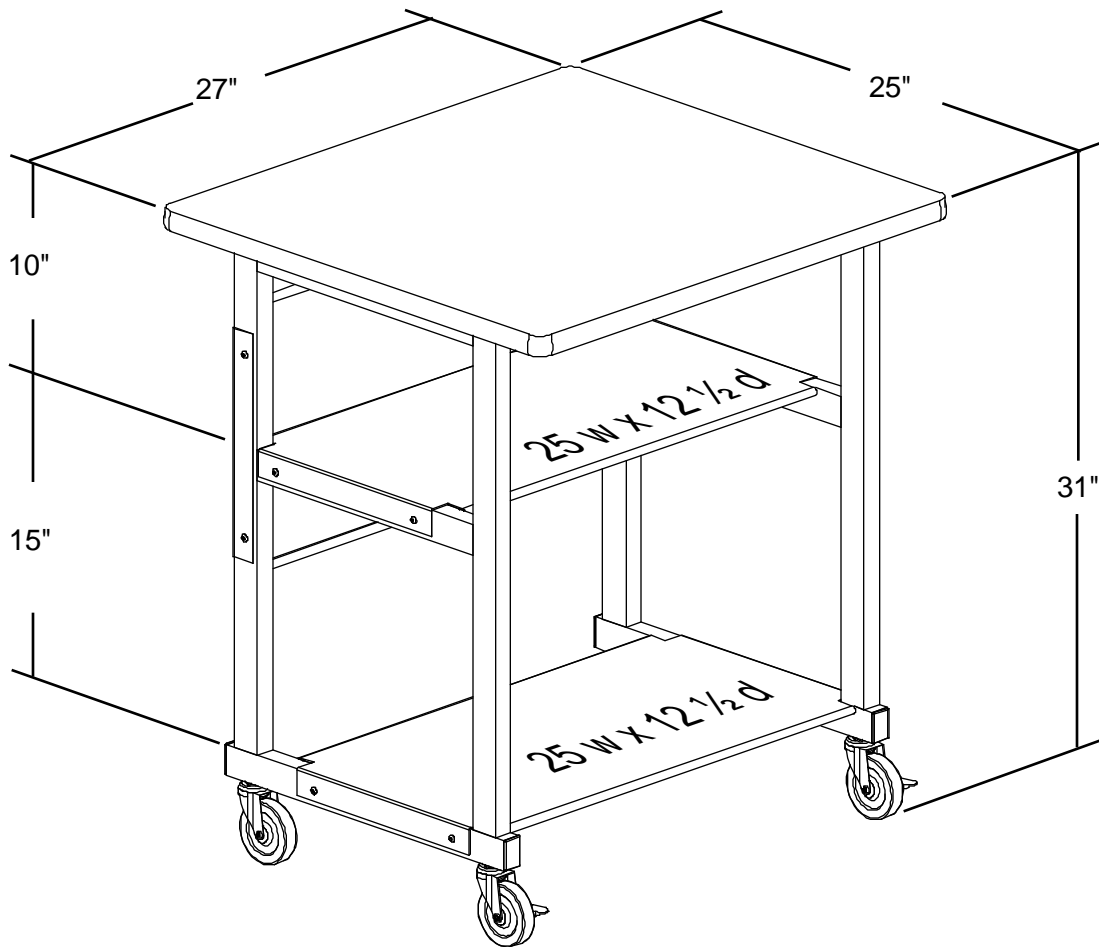
Illustration #3

# LB-PR

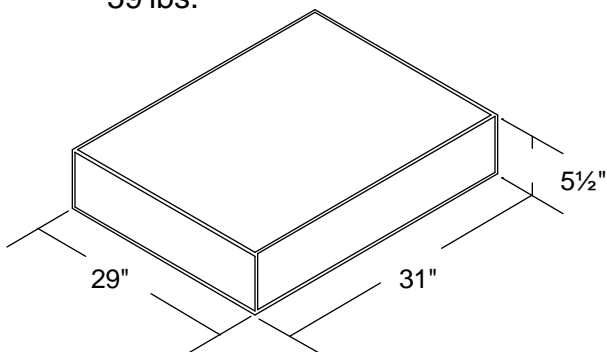
## Heavy Duty-Multi-Use Utility Stand

# BALT<sup>®</sup>

For more information  
**1-800-749-2258**



Shipping Information  
2.9 Cubic Feet  
59 lbs.



Includes 2 locking, and 2 non-locking casters.

Ships UPS.