

Panasonic
BUSINESS

TOUGHBOOK 33 mk2
Solution Guide

TOUGHBOOK





TOUGHBOOK 33 2-IN-1 DETACHABLE WINDOWS 10 PRO 12" FULLY RUGGED NOTEBOOK

TOUGHBOOK 33 2-in-1 Detachable, 12.0" fully rugged notebook with hot swappable twin batteries, detachable keyboard with optional backlit keys, and highly configurable capabilities brings unrivalled flexibility and performance for mobile business computing. Thanks to the detachable keyboard design and 6 usage modes, the TOUGHBOOK 33 2-in-1 Detachable offers the best of all worlds for mobile workers. Target industries for the device include field service workers, maintenance and service technicians in utilities and telecommunications, as well as government agencies, defence, the police and other emergency services.

- Intel® Core™ i5-10310U vPro™ processor
- Windows 10 Pro
- Next generation Dual-touch (with digitiser) display with 3:2 aspect ratio
- 12.0" QHD (2160 × 1440) anti-reflective high brightness outdoor display (up to 1200cd/m²)
- Capacitive 10 finger multi-touchscreen with glove and rain modes
- Digitiser pen embedded in the tablet part
- Detachable keyboard with various enterprise ports and backlit* keys
- Fully rugged design with water and dust resistance (IP65)**
- User exchangeable and hot-swappable twin batteries
- Up to 10 hours battery life with standard twin batteries (MobileMark™ 2014)
- Up to 20 hours battery life with extended* twin batteries (MobileMark™ 2014)
- Flexible configuration port*** and business expansion module***
- Vehicle mount* available for both notebook and tablet

*Optional

**Tested at Panasonic factory and does not guarantee against damage or malfunction

***One option exclusively possible in configuration port / business expansion module

All technical specifications are subject to change without notice.





TOUGHBOOK 33 TABLET

WINDOWS 10 PRO 12" FULLY RUGGED TABLET

TOUGHBOOK 33 Tablet, the 12.0" fully rugged device with hot swappable twin batteries and highly configurable capabilities brings unrivalled flexibility and performance for mobile business computing. Thanks to the optional detachable keyboard, the TOUGHBOOK 33 Tablet offers the best of all worlds for mobile workers. Target industries for the device include field service workers, maintenance and service technicians in utilities and telecommunications, as well as government agencies, defence, the police and other emergency services.

- Intel® Core™ i5-10310U vPro™ processor
- Windows 10 Pro
- Next generation Dual-touch (with digitiser) display with 3:2 aspect ratio
- 12.0" QHD (2160 × 1440) anti-reflective high brightness outdoor display (up to 1200cd/m²)
- Capacitive 10 finger multi-touchscreen with glove and rain modes
- Digitiser pen embedded in the tablet
- Optional detachable keyboard with various enterprise ports and backlit* keys
- Fully rugged design with water and dust resistance (IP65)**
- User exchangeable and hot-swappable twin batteries
- Up to 11 hours battery life with standard twin batteries (MobileMark™ 2014)
- Up to 22 hours battery life with extended* twin batteries (MobileMark™ 2014)
- Flexible configuration port*** and business expansion module***
- Optional vehicle mount

All technical specifications are subject to change without notice.



TOUGHBOOK 33 ACCESSORY ECOSYSTEM



All accessories in this guide are fully tested and certified in the Panasonic factory by Panasonic engineers

DOCKING SOLUTIONS

Desktop Port Replicator

AC adaptor not included. Use CF-AA5713A

Part No: CF-VEB331U



TOUGHBOOK 33 Laptop Vehicle Dock (GJ)

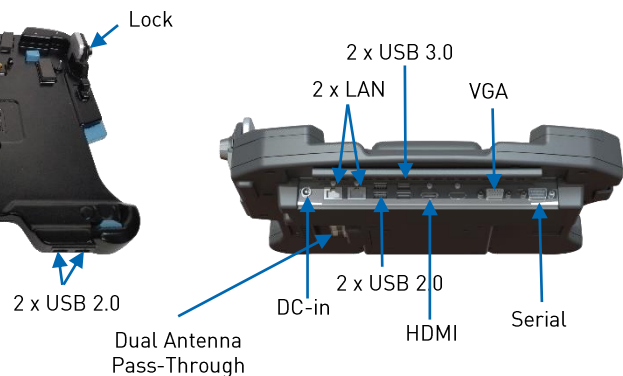
No power adaptor included. Keyed alike unless otherwise stated.

Dimensions: 358 x 343 x 89 mm / 14.1 x 13.5 x 3.5"

Weight: 3 kg / 6.7 lb

Part Nos:

- PCPE-GJ33V06 – Full port replication, No RF
- PCPE-GJ33V07 – Full port replication, Dual RF
- PCPE-GJ33V08 – Non-electronic cradle



TOUGHBOOK 33 Laptop Vehicle Dock (Havis)

No power adaptor included. Keyed alike unless otherwise stated. Full port replication.

Dimensions: 300 x 327 x 88.9 mm / 11.83 x 12.88 x 3.50"

Weight: 2.44 kg / 5.38 lbs.

Part Nos:

- PCPE-HAV3316 – Full port replication, No RF
- PCPE-HAV3317 – Full port replication, with RF



All technical specifications are subject to change without notice.

DOCKING SOLUTIONS

Gamber Johnson TOUGHBOOK 33 Tablet Vehicle Dock

No power adaptor included. Keyed alike unless otherwise stated.

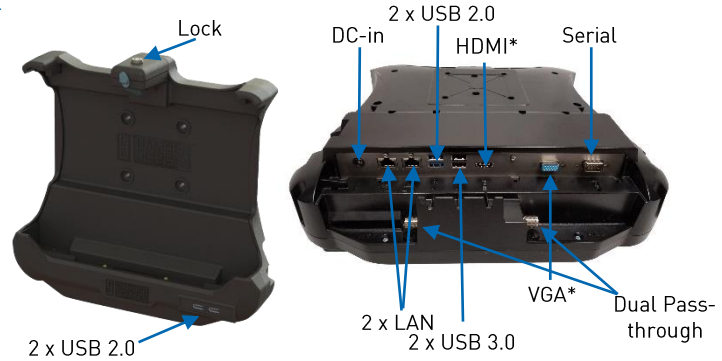
Dimensions: 317.5 x 336.5 x 114.3 mm / 12.5 x 13.25 x 4.5"

Max Weight: 1.88 kg / 4.15 lb

Part Nos:

- PCPE-GJ33V01 - Non-electronic
- PCPE-GJ33V02 - Full port replication, No RF
- PCPE-GJ33V03 - Full port replication, Dual RF
- PCPE-GJ33V04 - Lite port replication*, No RF
- PCPE-GJ33V05 - Lite port replication*, Dual RF

*No HDMI or VGA with "Lite" port replication



Gamber Johnson TOUGHBOOK 33 Slim Tablet Vehicle Dock

No power adaptor included. Keyed alike unless otherwise stated.

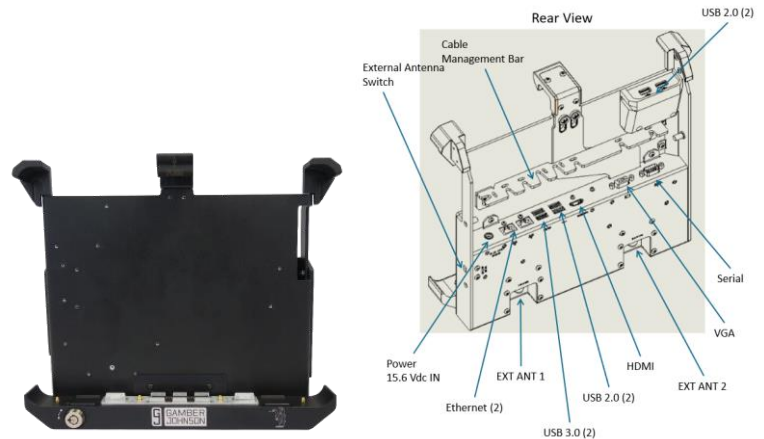
Dimensions: 314 x 274 x 76 mm / 12.3 x 10.8 x 3"

Max Weight: 2.7 kg / 6 lbs

Part Nos:

- PCPE-GJ33V09 - Lite port replication*, no RF
- PCPE-GJ33V10 - Lite port replication*, dual RF
- PCPE-GJ33V11 - Full port replication, no RF
- PCPE-GJ33V12 - Full port replication, Dual RF

*No HDMI or VGA with "Lite" port replication



Havis TOUGHBOOK 33 Tablet Vehicle Dock

No power adaptor included. Keyed alike unless otherwise stated.

Dimensions: 300 x 327 x 88.9 mm / 11.83 x 12.88 x 3.50"

Max Weight: 1.4 kg / 3.0 lb

Part Nos:

- PCPE-HAV3305 - Lite port replication*, no RF
- PCPE-HAV3306 - Lite port replication*, with dual RF
- PCPE-HAV3309 - Full port replication, no RF
- PCPE-HAV3310 - Full port replication, with dual RF

*No HDMI or VGA with "Lite" port replication



All technical specifications are subject to change without notice.

PRODUCTIVITY SOLUTIONS

Panasonic IP55 Digitiser Pen

Part No: CF-VNP023U



Stylus Tether

Part No: CF-VNT002U



TOUGHBOOK 33 Standard Keyboard

AC adaptor not included – please use CF-AA5713A.

Part No: CF-VEK331NEP (UK)



Other languages available on request.

Mini USB Keyboard

With integrated touchpad.

Part No: PCPE-KEYB



Rugged USB Keyboard

For in-vehicle use. IP64.

Part No: PCPE-MMRK01*

*E: UK; F: French; G: German



Mini Rugged Bluetooth Keyboard

Part Nos: PCPE-ACDS*

*UK1: UK ; FR1: French; GR1: German



Mini Antibacterial USB Keyboard

Part No: PCPE-ACCABK*

*1: UK; 3: French; 4: German



All technical specifications are subject to change without notice.

CARRYING SOLUTIONS

TOUGHBOOK 33 Rotation Strap with Kick Stand

Part No: CF-VST332U



Hand strap for TOUGHBOOK 33 Tablet

Part No: CF-VST331U



TOUGHBOOK 33 Mobility Bundle

Shoulder strap and carry handle for TOUGHBOOK 33.

Part No: PCPE-INF33B1



TOUGHBOOK 33 Always On Case - Tablet

With D-rings for attaching shoulder straps (sold separately)

Part No: PCPE-INF33A1



TOUGHBOOK 33 Always On Case - Notebook

With D-rings for attaching shoulder straps (sold separately).

Part No: PCPE-INF33A2



TOUGHBOOK 33 Rotating Hand Strap

With D-rings for attaching shoulder straps (sold separately)

Part No: PCPE-INF33H1



All technical specifications are subject to change without notice.

CARRYING SOLUTIONS

Breakable Shoulder Strap

For use with most cases.
Attachment via D-rings.

Part No: PCPE-SYSSSB1



Shoulder Strap for TOUGHBOOK 33 Tablet

Part No: CF-VNS331U



User Harness

Attaches to any Toughnook 33 that provides 4-drings

Part No: PCPE-INFUVA1



Generic DuraStrap

For use with most cases.
Attachment via D-rings.

Size: 1651 x 25.4 x 6.35 mm / 65 x 1 x 0.25"

Weight: 136 g / 0.3 lb

Part No: PCPE-INFGNDS



Deluxe Shoulder Strap

For use with most cases.
Attachment via D-rings.

Size: 38 x 1442 mm / 1.5 x 56"

Weight: 0.14 kg / 0.3 lb

Part No: PCPE-INFSS02



Synergy 15.4" Laptop Rucksack

Size: 254 x 330 x 460 mm / 10 x 13 x 18"

Weight: 1 kg / 2.2 lbs

Part No: PCPE-WENSYN1



All technical specifications are subject to change without notice.

POWER MANAGEMENT SOLUTIONS

Standard 3 Cell Battery

Part No: CF-VZSU1AW



Extended 6 Cell Battery

Part No: CF-VZSU1BW

Please note: Extended batteries are compatible only with main units configured for an extended battery.



4-bay Battery Charger

Compatible with both standard and extended battery packs. Contains power lead.

Part No: CF-VCB331*

* E: UK; G: EU; T: Italy; D: Switzerland



AC Power Supply

For use with device and desk dock.

Part No: CF-AA5713A2*

*E: UK; G: EU; T: Italy; D: Switzerland



Charger For Forklifts

Part Nos:

- PCPE-LNDFH11: 70-110V
- PCPE-LNDFH32: 12-32V
- PCPE-LNDFH60: 20-60VDC



Car Charger

120 W, 12-32Vdc input

Part No: CF-LND1224A



Car Charger

90W, 12-16VDC input

Part Nos:

- CF-LND80S-FD – cigarette plug
- CF-LND80SBW – Bare wire



Car Charger

90 W, 12-32VDC input

Part Nos:

- CF-LND8024FD - cigarette plug
- CF-LND8024BW - bare wire



Mil Spec Car Charger

Part No:

- PCPE-LND3676 - 120W, 22-32 VDC
- PCPE-LNDMLSTD – 90W, 11-32 VDC



All technical specifications are subject to change without notice.

PRODUCTIVITY SOLUTIONS

Replacement TOUGHBOOK 33 Digitiser Pen

IP55 rated.

Part No: CF-VNP023U



Stylus Tether

Part No: PCPE-INFUVA2



USB External Disc Drive

Part No:

- PCPE-FCDVR06 - Blu-ray
- PCPE-FCDVR05 - CD/DVD



SECURITY & PROTECTION SOLUTIONS

LCD Screen Cleaning Cloth

Part No: CF-VNC002UU

MOQ: 10 pcs



LCD Protective Film

Replacement for protective
film pre-installed on
TOUGHBOOK 20

Part No: CF-VPF31U



Kensington Lock

Part No: PCPE-KENLOK1



All technical specifications are subject to change without notice.

PRODUCTIVITY SOLUTIONS

Compact Wearable Barcode Scanner

Part Nos:

- PCPE-PGLSCN1 – Standard Range
- PCPE-PGLSCN2 – Mid Range



Barcode Scanner Charging Cradle

With International plugs

Part No: PCPE-PGLCHR3



Index Trigger Wrap - 3 Pcs. Pack

Part Nos:

- PCPE-PGLITSL - Left Hand, Size Small
- PCPE-PGLITML - Left Hand, Size Medium
- PCPE-PGLITLL - Left Hand, Size Large
- PCPE-PGLITSR - Right Hand, Size Small
- PCPE-PGLITMR - Right Hand, Size Medium
- PCPE-PGLITLR - Right Hand, Size Large



Bluetooth Headset

Part No: PCPE-MODBTH1



Headset Battery Charger – 10 bay

Part No: PCPE-MOD10BC



Replaceable Batteries – 25 pack

Part No: PCPE-MODBAT1



All technical specifications are subject to change without notice.

MOBILE PRINT SOLUTIONS

PJ7 Series A4 Mobile Printers

Perfectly dimensioned for your briefcase or computer bag, PJ7 series of compact, direct thermal printers can also be easily mounted in your vehicle. Take it out on the road and make sure your clients and customers receive those all-important documents in an instant. Available with 300 dpi print resolution, and with USB, Bluetooth or Wi-Fi.



Part No.:	PCPE-BRPJ763	PJ763 A4 mobile printer, 300 dpi with USB & Bluetooth
	PCPE-BRPJ773	PJ773 A4 mobile printer, 300 dpi with USB, Wi-Fi and AirPrint

All technical specifications are subject to change without notice.

PROFESSIONAL SERVICES

Custom BIOS Services

Part No: PCPE-PSBIO5G

Autopilot Enrolment

Part No: PCPE-PSAUTOP

SIM Installation

Part No: PCPE-PSSIMIN

Information Management Bundle

IMEI, MAC, SIM, ASSET, Hardware Hash reporting.

Part No: PCPE-PSATAGB

Solution Packaging

Up to 10 items packaged together in a box.

Does not include custom designed case.

Part No: PCPE-PSSPACK

Custom Imaging

Part Nos:

- PCPE-PS20GIM - Image deployment per device (MOQ 30)
- Custom Image Creation - Price on request.

Customer Branding

Logo badge on device casing or bezel.

Part No: PCPE-PSLOGOB

Asset Tagging

Standard, using CPE label set.

Part No: PCPE-PSATAG1

Custom Logistics

Part No: PCPE-PSCDL01

Price on Request.

All technical specifications are subject to change without notice.

LIFECYCLE SUPPORT SOLUTIONS

Extended Warranty

Panasonic's Extended Warranty provides an additional two years of warranty, helping you to minimise repair costs and maximise the life cycle of your Toughbook or TOUGHBOOK.

Part No.: CF-LESPEW* *4 / 5

Accidental Damage Warranty

Panasonic's Accidental Damage Warranty provides protection against any eventuality out in the field for up to 5 years, providing you and your workforce with complete peace of mind.

Part No.: CF-LESPAD* *3 / 4 / 5 (4 & 5 year options include Extended Warranty)

Smart Battery Warranty

Smart Service Lite battery analytics, powered by B2M, monitor device battery health in real-time. Smart Service Lite will alert you when batteries deployed in the field reach a low capacity level so a replacement battery can be sent out in advance.

Part No.: CF-LESPBASS* *3 / 4 / 5

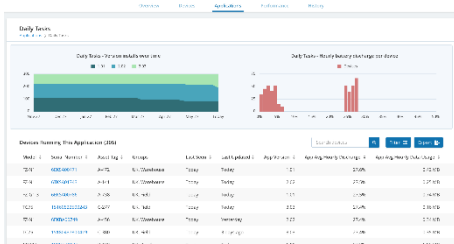


All technical specifications are subject to change without notice.

SMART ESSENTIALS



TOUGHBOOK Smart Service

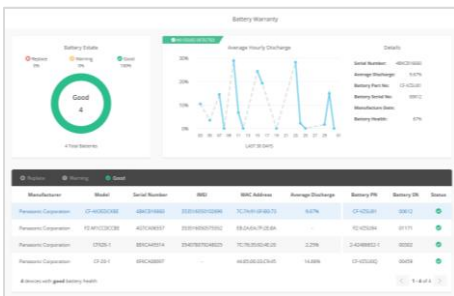


Real time analytics, powered by B2M Solutions, showing the health and performance of your estate of mobile devices, focussing on areas such as battery life, data usage, disruptions and connectivity. Enables the user to recognise patterns of usage and potentially pre-empt issues before they arise.

Part Nos.:

- **CF-LESPSSM3** 3 year Smart Service self-managed licence
- **CF-LESPSSM5** 5 year Smart Service self-managed licence

Smart Battery Monitor

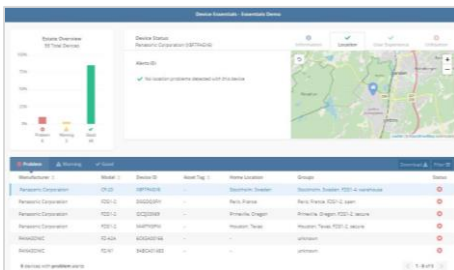


An additional “Smart” module that monitors battery usage and health in detail, focusing on battery serial numbers, the software allows the customer to track, identify and replace batteries before they impact productivity. With dashboard access and alerts.

Part Nos.:

- **CF-LESPBAEE1** 1 year Smart Battery Monitor software licence
- **CF-LESPBAEE3** 3 year Smart Battery Monitor software licence
- **CF-LESPBAEE5** 5 year Smart Battery Monitor software licence

Smart Device Monitor



An additional “Smart” module that monitors device usage in more detail. Dashboard access provides information such as device location; user experience, including drop detection on Android devices and also enables alerts and geofences to be set up.

Part Nos.:

- **CF-LESPDAEE1** 1 year Smart Device Monitor software licence
- **CF-LESPDAEE3** 3 year Smart Device Monitor software licence
- **CF-LESPDAEE5** 5 year Smart Device Monitor software licence

All technical specifications are subject to change without notice.

SOFTWARE SOLUTIONS – PREMIER PARTNERS



Absolute Data and Device Security

Patented technology to centrally secure TOUGHBOOK devices for unrivalled endpoint security and data risk management.

Part numbers available upon request.

Website: <https://www.absolute.com/partners/oem/panasonic/>



NetMotion Mobility

More than just a VPN, "Mobility" Mobile Performance Management software can dynamically maintain access to applications through changing network conditions, allowing mobile workers to remain productive anywhere their work takes them. Diagnostics option also available.

Part numbers available upon request.

Website: <https://www.netmotionsoftware.com/products/mobility>



SOTI MobiControl

MobiControl is an Enterprise Mobility Management (EMM) solution with enhanced EMM features like application management, content management, location services and remote help.

Part numbers available upon request.

Website: <https://www.soti.net/products/soti-mobicontrol/>



Sygic

Sygic Professional GPS Navigation works offline and features truck specific routing, itinerary with time windows and over 60 APIs for development with Android and Windows based apps.

Part numbers available upon request.

Website: <https://www.sygic.com/enterprise/professional-gps-navigation-sdk>

For more info on these software solutions, please refer to the co-branded data sheet [here](#).

SOFTWARE SOLUTIONS – CERTIFIED PARTNERS



StayLinked

StayLinked's SmartTE software provides a cost-effective way to take advantage of touchscreen devices with Terminal Emulation by transforming traditional "green screen" application screens into easy-to-use, graphical screens with no changes to the underlying enterprise applications.

For more information or to request a demo, visit:
<https://www.staylinked.com/panasonic>



Loqus

Loqus Fleet Ltd specialises in the provision of end-to-end Transport management systems providing organisations with the necessary tools to help them Plan, Execute and Monitor & Control work orders from initial order taking down to the last mile. Headquartered in Malta, the group employs a passionate team of high calibre software engineers supported by an experienced management team

Visit website: <http://openfleet.loqusgroup.com/>



Acronis

Acronis sets the standard for cyber protection and hybrid cloud storage through its innovative backup, anti-ransomware, disaster recovery, storage, and enterprise file sync and share solutions. Enhanced by its award-winning AI-based active protection technology, blockchain-based authentication and unique hybrid-cloud architecture, Acronis protects all data in any environment – including physical, virtual, cloud, mobile workloads and applications – all at a low and predictable cost.

Visit website: <https://www.acronis.com>



GPC Systems

GPC is an award-winning software house with over 25 years of experience working with a range of sectors across the globe. Driven by the needs of their customers in healthcare, transportation, police, logistics and local government, GPC strives to improve outcomes through the most efficient use of resources. GPC has in-depth experience creating solutions utilising 3D cameras, including the Intel® RealSense™ technology integrated into the TOUGHBOOK M1.

Visit website: <https://www.gpcsl.com/>

All technical specifications are subject to change without notice.

ACCESSORY SUMMARY 1

Solution Type	Part Number	Description
Power Management	CF-VZSU1AW	Standard 3 Cell Battery
	CF-VZSU1BW	Extended 6 Cell Battery
	CF-VCB331E/G/T/D	4-Bay Battery Charger
	CF-AA5713A2E/G/T/D	AC Power Supply
	CF-LND1224A	Car Charger (120W, 12-32 VDC)
	CF-LND80S-FD/BW	Car Charger (90W, 12-16 VDC)
	CF-LND8024FD/BW	Car Charger (90W, 12-32 VDC)
	PCPE-LNDFH11	Car Charger (70-110V) For forklift
	PCPE-LNDFH32	Car Charger (12-32V) For forklift
	PCPE-LNDFH60	Car Charger (20-60VDC) For forklift
	PCPE-LND3676	Mil Spec Car Charger (120W, 22-32 VDC)
PCPE-LNDMLSTD	Mil Spec Car Charger (90W, 11-32 VDC)	
Docking Solutions	CF-VEB331U	TOUGHBOOK 33 Desktop Port Replicator
	PCPE-GJ33V 06/07/08	Gamber Johnson TOUGHBOOK 33 Laptop Vehicle Dock
	PCPE-GJ33V 01/02/03/04/05/06	Gamber Johnson TOUGHBOOK 33 Tablet Vehicle Dock
	PCPE-GJ33V 09/10/11/12	Gamber Johnson TOUGHBOOK 33 Slim Tablet Vehicle Dock
	PCPE-HAV33 16/17	Havis TOUGHBOOK 33 Laptop Vehicle Dock
	PCPE-HAV33 05/06/07/10	Havis TOUGHBOOK 33 Tablet Vehicle Dock
Styluses	CF-VNP023U	Panasonic IP55 Digitiser Pen
	CF-VNT002U	Stylus Tether
Keyboards	CF-VEK331NEP	TOUGHBOOK 33 Standard Keyboard (UK)
	PCPE-KEYB	Mini USB Keyboard
	PCPE-MMRK01E/F/G	Rugged USB Keyboard
	PCPE-ACDSUK1/FR1	Mini Rugged Bluetooth Keyboard
	PCPE-ACCABK1/2/3/4	Mini Antibacterial USB Keyboard

All technical specifications are subject to change without notice.

ACCESSORY SUMMARY 2

Solution Type	Part Number	Description
Carrying Solutions	CF-VST332U	TOUGHBOOK 33 Rotation Strap with Kick Stand
	CF-VST331U	Hand Strap for TOUGHBOOK 33 Tablet
	PCPE-INF33A2	TOUGHBOOK 33 Always On Case – Notebook
	PCPE-INF33A1	TOUGHBOOK 33 Always On Case – Tablet
	PCPE-INF33H1	TOUGHBOOK 33 Rotating Hand Strap
	PCPE-INF33B1	TOUGHBOOK 33 Mobility Bundle
	PCPE-SYSSSB1	Breakable Shoulder Strap
	CF-VNS331U	Shoulder Strap for TOUGHBOOK 33 Tablet
	PCPE-INFUVA1	User Harness
	PCPE-INFSS02	Deluxe Shoulder Strap
	PCPE-INFGNDS	Generic Dura Strap
	PCPE-INFBPK1	General Backpack
	PCPE-WENSYN1	Synergy 15.4" Laptop Rucksack
Protection & Security	CF-VNC002U	Cleaning Cloth for LCD
	CF-VPF34U	Shatterproof Protective LCD film
	PCPE-KENLOK1	Kensington Lock
Productivity	PCPE-MOVBTH1	Bluetooth Headset
	PCPE-MOD10BC	Bluetooth Headset 10 Bay Charger
	PCPE-MOVBAT1	Bluetooth Headset Replaceable Batteries – 25 pack
	PCPE-FCDVR05	Slimline External CD/DVD Writer
	PCPE-FCDVR06	Slimline External Blu-Ray Writer
Mobile Printing Solutions	PCPE-BRPJ763	PJ763 A4 mobile printer, 300 dpi with USB & Bluetooth
	PCPE-BRPJ773	PJ773 A4 mobile printer, 300 dpi with WiFi, USB & Bluetooth
Barcode Scanner Solutions	PCPE-PGLSCN1	Standard Range Barcode Scanner
	PCPE-PGLSCN2	Mid Range Barcode Scanner
	PCPE-PCGCHR3	Barcode Scanner Charging Cradle
	PCPE-PGLIT* SL/ML/LL	Index Trigger Glove – 3 Pcs. Pack (SL: Left Hand Small Size, ML: Left Hand Medium Size, LL: Left Hand Large Size)
	PCPE-PGLIT* SR/MR/LR	Index Trigger Glove – 3 Pcs. Pack (SR: Right Hand Small Size, MR: Right Hand Medium Size, LR: Right Hand Large Size)

All technical specifications are subject to change without notice.

ACCESSORY SUMMARY 3

Solution Type	Part Number	Description
Professional Services	PCPE-PSBIOSG	Custom BIOS Service – Gold
	PCPE-PS20GIM	Image deployment per device (MOQ 30)
	PCPE-PSSIMIN	SIM Installation
	PCPE-PSATAG1	Asset Tagging
	PCPE-PSATAGB	Information Management Bundle
	PCPE-PSAUTOP	Autopilot Enrolment
	PCPE-PSLOGOB	Custom logo badge
	PCPE-PSSPACK	Solution Packaging
	PCPE-PSCDL01	Customised Deployment / Logistics
	PCPE-PSBTM01	Bespoke Training Material
Smart Services	CF-LESPSSSM3/5	Smart Service self managed licence – 3 or 5 years
	CF-LESPBAEE1/3/5	Smart Battery Monitor software licence – 1, 3 or 5 years
	CF-LESPDAEE1/3/5	Smart Device Monitor software licence – 1, 3 or 5 years
Lifecycle support solutions	CF-LESPEW* 4/5	Extended Warranty
	CF-LESPAD* 3/4/5	Accidental Damage Warranty
	CF-LESPBASS* 3/4/5	Smart Battery Warranty

Panasonic and TOUGHBOOK are brand names and registered trademarks of Panasonic Corporation. Intel, the Intel logo, Intel Core, Intel vPro, Core Inside and vPro Inside are trademarks of Intel Corporation in the U.S. and other countries. Microsoft® and Windows® are registered trademarks of Microsoft® Corporation of the United States and/or other countries. All other brand names shown are the registered trademarks of the relevant companies. All rights reserved.

Mobile Solutions Business Division Europe, a division of Panasonic Marketing Europe GmbH Panasonic Marketing Europe GmbH is a company registered in Germany at Hagenauer Strasse 43, 65203 Wiesbaden, Germany. Registered in AG Wiesbaden HRB 13178