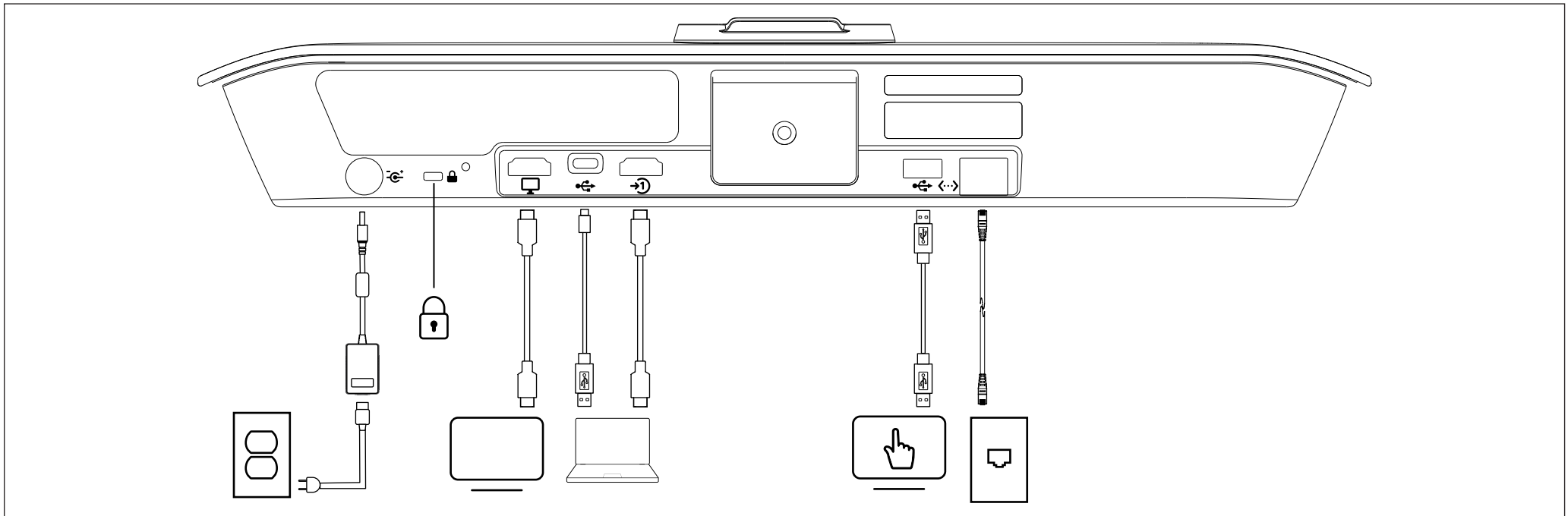
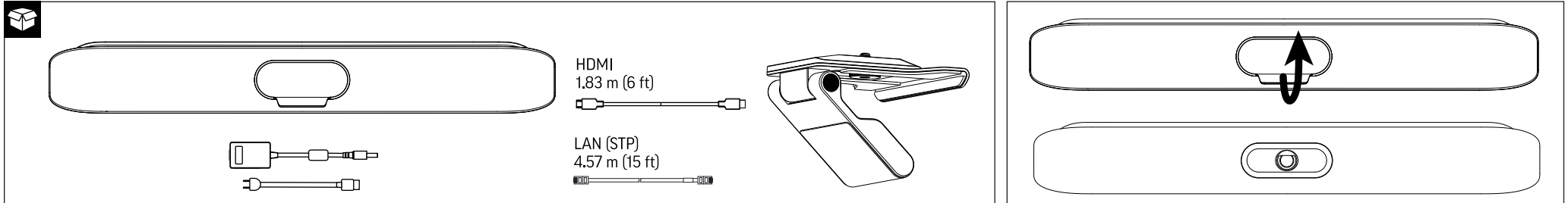




Poly Studio X30

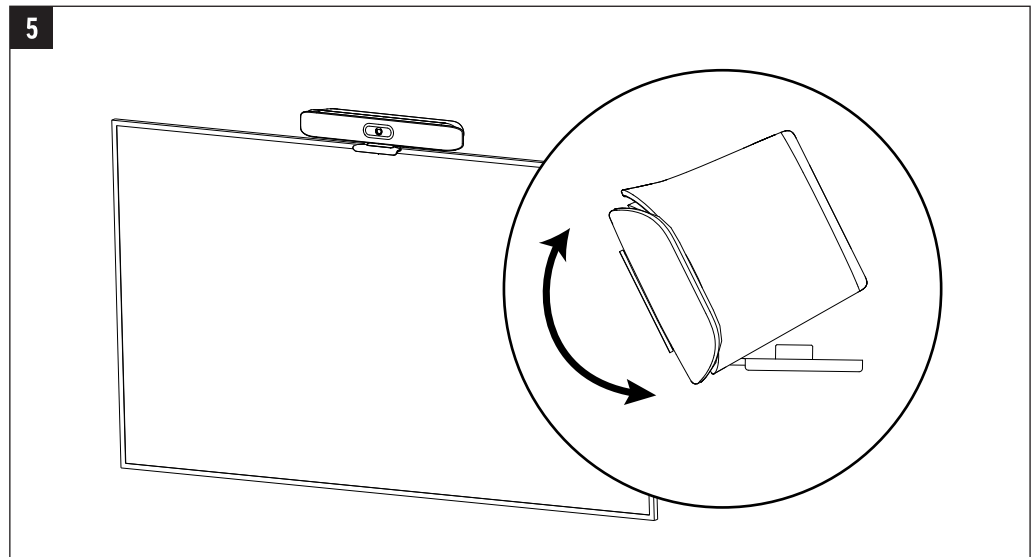
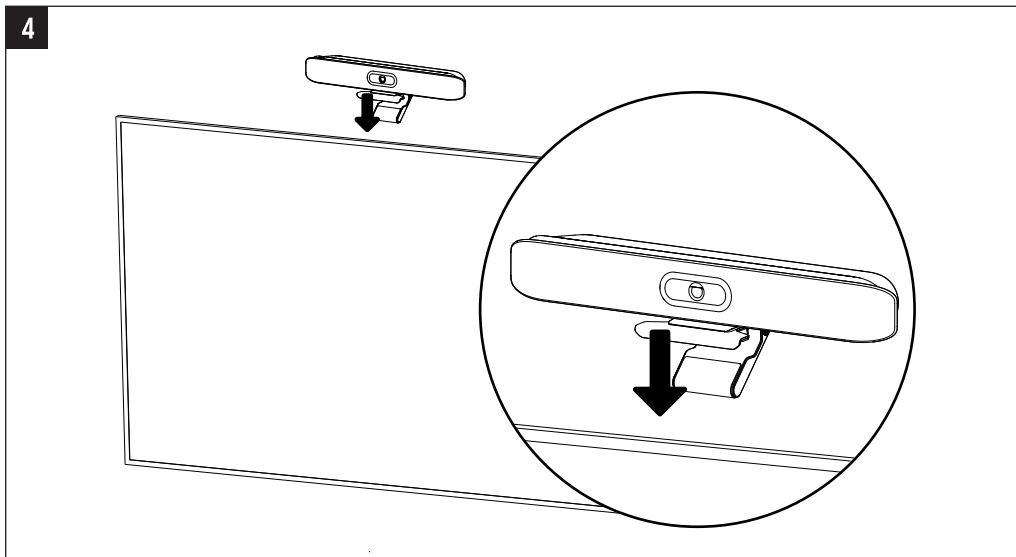
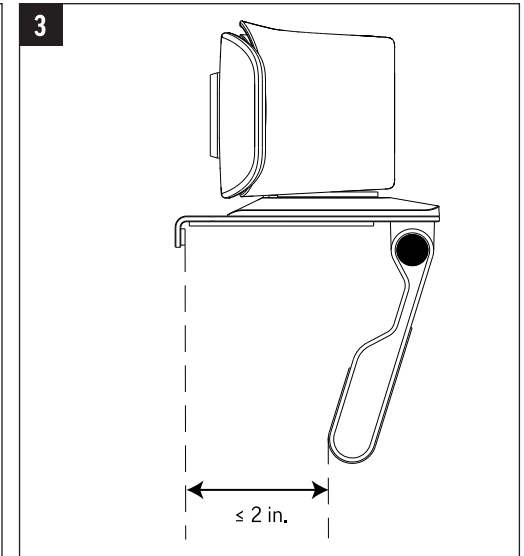
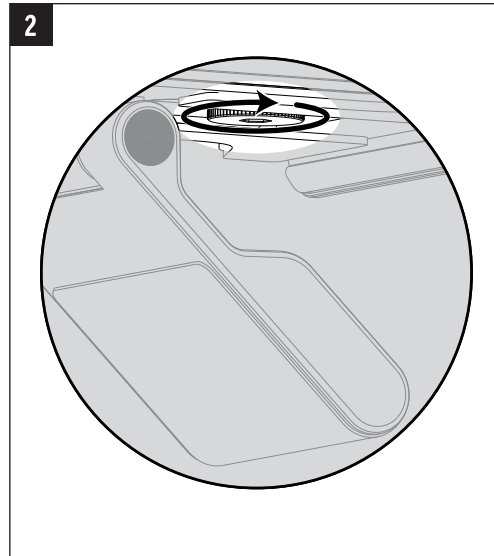
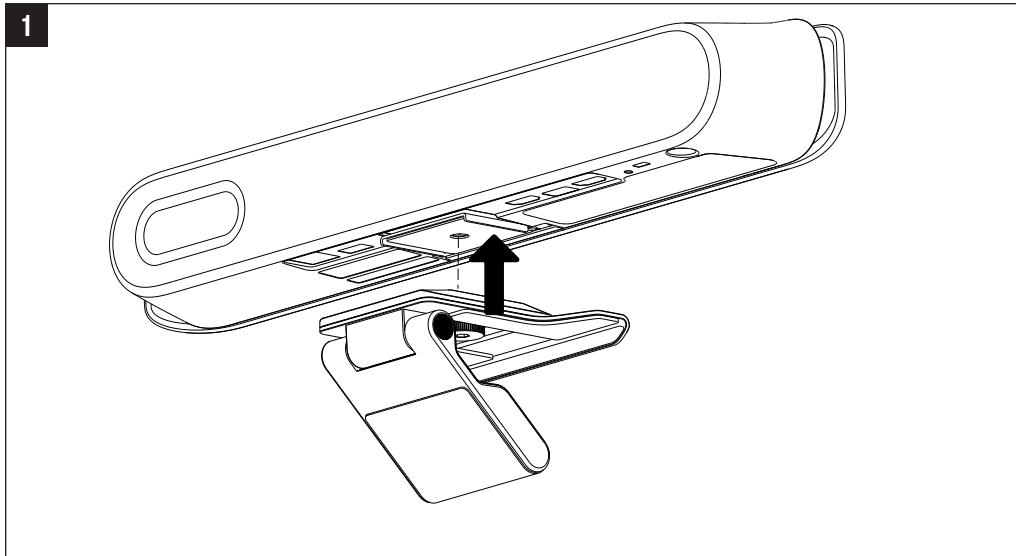
See the Poly Studio X30 and Poly Studio X50 Regulatory Notices for all regulatory and safety guidance prior to configuration.

Avant de procéder à la configuration, veuillez consulter les Avis de réglementation du Poly Studio X30 and Poly Studio X50, afin de prendre connaissance des recommandations en matière de sécurité et de réglementation.



1725-86424-023B 09.23
RMN/型号: P018
型号: Poly Studio X30





Hereby, HP declares that the radio equipment type RMN/型号:P018, 型号: Poly Studio X30 is in compliance with Directive 2014/53/EU. The full text of the EU declaration of conformity is available at the following Internet address: www.hp.eu/certificates (search with RMN).

Frequency Range	Maximum Transmit Power
2422 - 2480MHz	Max EIRP [18.88] dBm
5150 - 5350MHz	Max EIRP [20.06] dBm
5470 - 5725MHz	Max EIRP [19.7] dBm

support.hp.com/poly

Poly Studio X30